

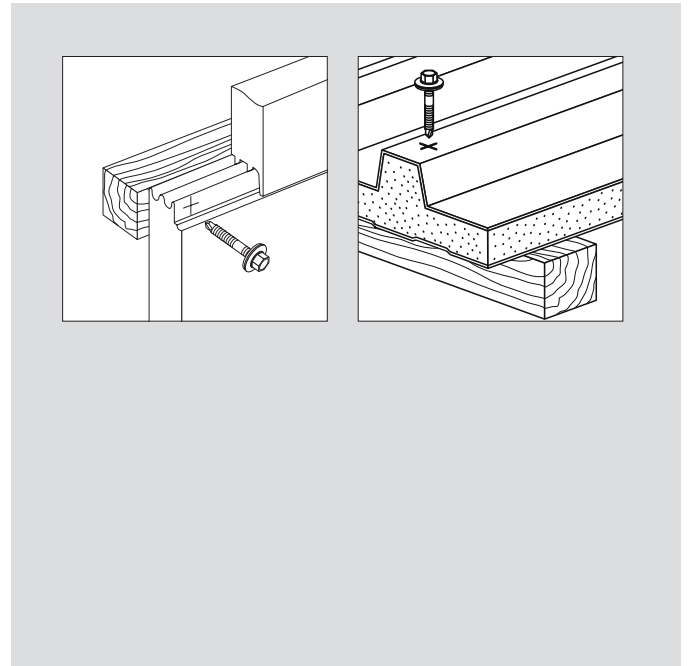
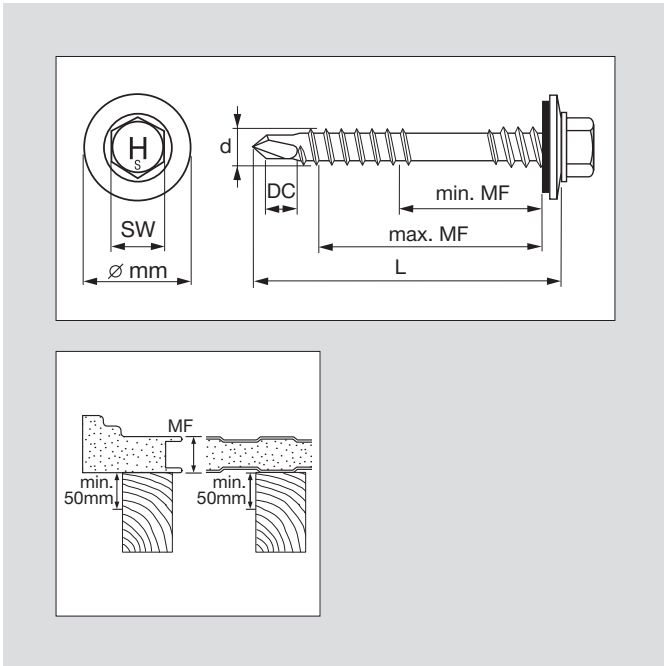
Contents

			Page
8.1	Stainless steel sandwich panel screw (Ø 16)	S-CDW 51 S	83
8.2	Stainless steel sandwich panel screw (Ø 19)	S-CDW 61 S	84
8.3	Stainless steel sandwich panel screw (Ø 22)	S-CDW 71 S	85
8.4	Stainless steel sandwich panel screw (Ø 16)	S-CD 53 S	86
8.5	Stainless steel sandwich panel screw (Ø 19)	S-CD 63 S	87
8.6	Stainless steel sandwich panel screw (Ø 22)	S-CD 73 S	88
8.7	Stainless steel sandwich panel screw (Ø 16)	S-CD 55 S	89
8.8	Stainless steel sandwich panel screw (Ø 19)	S-CD 65 S	90
8.9	Stainless steel sandwich panel screw (Ø 22)	S-CD 75 S	91



8.1 Stainless steel sandwich panel screw (Ø16) S-CDW 51 S

The sandwich panel screw for fastening on wood base materials



8

Ordering description	Minimum thickness of base material	Thickness fastened range (MF)	Screw diameter (d)	Screw length (L)	Washer size	EPDM-thickness	Screw drive/recess type	Sales quantity	Item number
Sandwich panel screw S-CDW51S 6,5x100	wood, 50 mm	27 - 47 mm	6.5 mm	100 mm	16 mm	2 mm	Hexagon 8	100 pc	272531
Sandwich panel screw S-CDW51S 6,5x110	wood, 50 mm	37 - 57 mm	6.5 mm	110 mm	16 mm	2 mm	Hexagon 8	100 pc	272532
Sandwich panel screw S-CDW51S 6,5x120	wood, 50 mm	47 - 67 mm	6.5 mm	120 mm	16 mm	2 mm	Hexagon 8	100 pc	272533
Sandwich panel screw S-CDW51S 6,5x140	wood, 50 mm	67 - 87 mm	6.5 mm	140 mm	16 mm	2 mm	Hexagon 8	100 pc	272534
Sandwich panel screw S-CDW51S 6,5x160	wood, 50 mm	87 - 107 mm	6.5 mm	160 mm	16 mm	2 mm	Hexagon 8	100 pc	272535
Sandwich panel screw S-CDW51S 6,5x180	wood, 50 mm	107 - 127 mm	6.5 mm	180 mm	16 mm	2 mm	Hexagon 8	100 pc	272536
Sandwich panel screw S-CDW51S 6,5x200	wood, 50 mm	127 - 147 mm	6.5 mm	200 mm	16 mm	2 mm	Hexagon 8	100 pc	272537
Sandwich panel screw S-CDW51S 6,5x220	wood, 50 mm	147 - 167 mm	6.5 mm	220 mm	16 mm	2 mm	Hexagon 8	100 pc	272538
Sandwich panel screw S-CDW51S 6,5x230	wood, 50 mm	157 - 177 mm	6.5 mm	230 mm	16 mm	2 mm	Hexagon 8	100 pc	272539

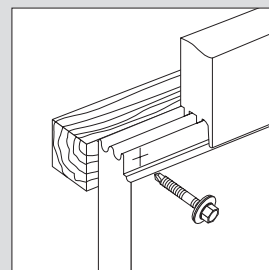
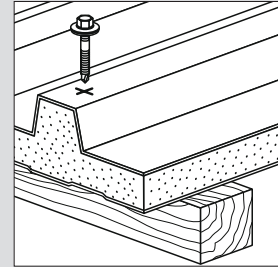
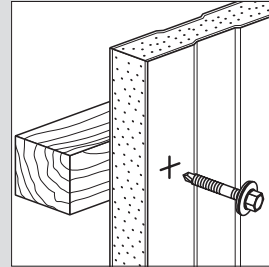
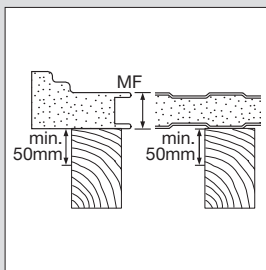
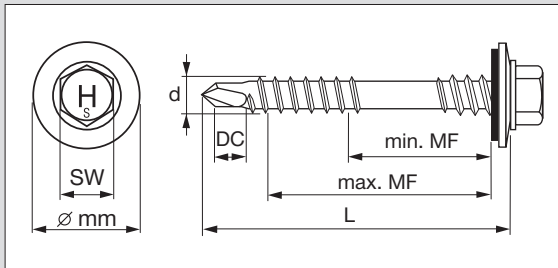
Reference:

- More Information see approval ETA-13/0179 (Chapter 16)

8.2 Stainless steel sandwich panel screw (Ø19) S-CDW 61 S



The sandwich panel screw for fastening on wood base materials



8

Ordering description	Minimum thickness of base material	Thickness fastened range (MF)	Screw diameter (d)	Screw length (L)	Washer size	EPDM-thickness	Screw drive/recess type	Sales quantity	Item number
Sandwich panel screw S-CDW61S 6,5x100	wood, 50 mm	27 - 47 mm	6.5 mm	100 mm	19 mm	2 mm	Hexagon 8	100 pc	375256
Sandwich panel screw S-CDW61S 6,5x110	wood, 50 mm	37 - 57 mm	6.5 mm	110 mm	19 mm	2 mm	Hexagon 8	100 pc	375257
Sandwich panel screw S-CDW61S 6,5x120	wood, 50 mm	47 - 67 mm	6.5 mm	120 mm	19 mm	2 mm	Hexagon 8	100 pc	375258
Sandwich panel screw S-CDW61S 6,5x140	wood, 50 mm	67 - 87 mm	6.5 mm	140 mm	19 mm	2 mm	Hexagon 8	100 pc	375259
Sandwich panel screw S-CDW61S 6,5x160	wood, 50 mm	87 - 107 mm	6.5 mm	160 mm	19 mm	2 mm	Hexagon 8	100 pc	375260
Sandwich panel screw S-CDW61S 6,5x180	wood, 50 mm	107 - 127 mm	6.5 mm	180 mm	19 mm	2 mm	Hexagon 8	100 pc	375261
Sandwich panel screw S-CDW61S 6,5x200	wood, 50 mm	127 - 147 mm	6.5 mm	200 mm	19 mm	2 mm	Hexagon 8	100 pc	284540
Sandwich panel screw S-CDW61S 6,5x220	wood, 50 mm	147 - 167 mm	6.5 mm	220 mm	19 mm	2 mm	Hexagon 8	100 pc	284541
Sandwich panel screw S-CDW61S 6,5x230	wood, 50 mm	157 - 177 mm	6.5 mm	230 mm	19 mm	2 mm	Hexagon 8	100 pc	284597

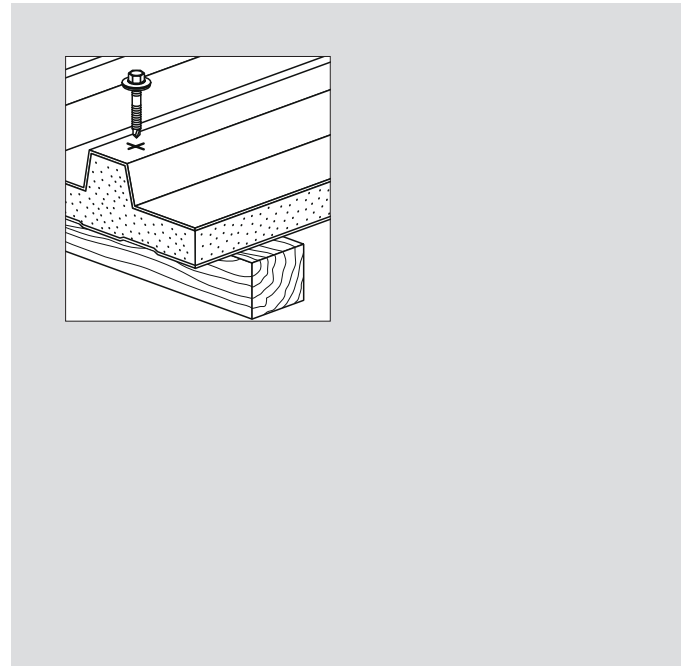
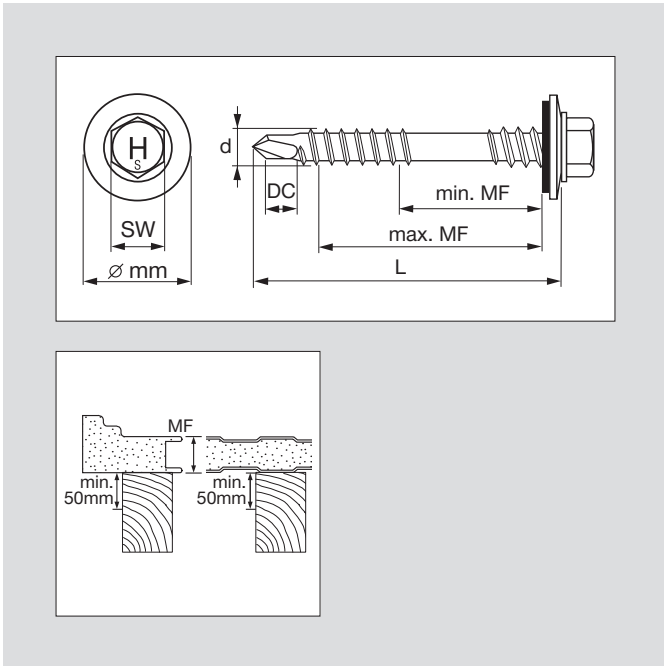
Reference:

- More Information see approval ETA-13/0179 (Chapter 16)



8.3 Stainless steel sandwich panel screw (Ø22) S-CDW 71 S

The sandwich panel screw for fastening on wood base materials



Ordering description	Minimum thickness of base material	Thickness fastened range (MF)	Screw diameter (d)	Screw length (L)	Washer size	EPDM-thickness	Screw drive/recess type	Sales quantity	Item number
Sandwich panel screw S-CDW71S 6,5x100	wood, 50 mm	27 - 47 mm	6.5 mm	100 mm	22 mm	2 mm	Hexagon 8	100 pc	285658
Sandwich panel screw S-CDW71S 6,5x110	wood, 50 mm	37 - 57 mm	6.5 mm	110 mm	22 mm	2 mm	Hexagon 8	100 pc	285659
Sandwich panel screw S-CDW71S 6,5x120	wood, 50 mm	47 - 67 mm	6.5 mm	120 mm	22 mm	2 mm	Hexagon 8	100 pc	285660
Sandwich panel screw S-CDW71S 6,5x140	wood, 50 mm	67 - 87 mm	6.5 mm	140 mm	22 mm	2 mm	Hexagon 8	100 pc	285661
Sandwich panel screw S-CDW71S 6,5x160	wood, 50 mm	87 - 107 mm	6.5 mm	160 mm	22 mm	2 mm	Hexagon 8	100 pc	285662
Sandwich panel screw S-CDW71S 6,5x180	wood, 50 mm	107 - 127 mm	6.5 mm	180 mm	22 mm	2 mm	Hexagon 8	100 pc	285663
Sandwich panel screw S-CDW71S 6,5x200	wood, 50 mm	127 - 147 mm	6.5 mm	200 mm	22 mm	2 mm	Hexagon 8	100 pc	285664
Sandwich panel screw S-CDW71S 6,5x220	wood, 50 mm	147 - 167 mm	6.5 mm	220 mm	22 mm	2 mm	Hexagon 8	100 pc	285665
Sandwich panel screw S-CDW71S 6,5x230	wood, 50 mm	157 - 177 mm	6.5 mm	230 mm	22 mm	2 mm	Hexagon 8	100 pc	285666

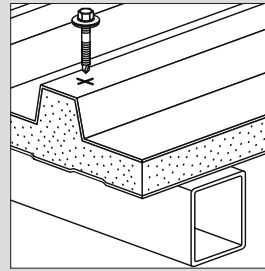
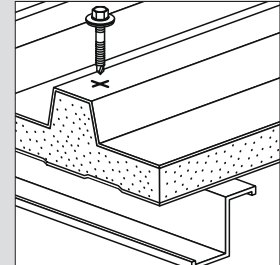
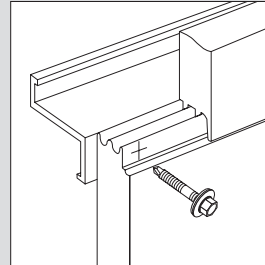
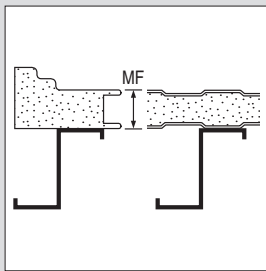
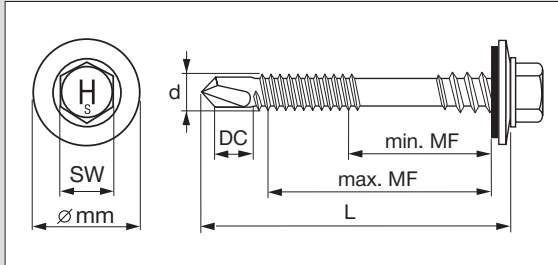
Reference:

- More Information see approval ETA-13/0179 (Chapter 16)

8.4 Stainless steel sandwich panel screw (Ø16) S-CD 53 S



The sandwich panel screws for fastening on light and medium base materials



8

Ordering description	Drilling capacity range (DC)	Thickness fastened range (MF)	Screw diameter (d)	Screw length (L)	Washer size	EPDM-thickness	Screw drive/recess type	Sales quantity	Item number
Sandwich panel screw S-CD53S 5,5x76	2 - 6 mm	38 - 48 mm	5.5 mm	76 mm	16 mm	3 mm	Hexagon 8	100 pc	413394
Sandwich panel screw S-CD53S 5,5x86	2 - 6 mm	48 - 58 mm	5.5 mm	86 mm	16 mm	3 mm	Hexagon 8	100 pc	413395
Sandwich panel screw S-CD53S 5,5x96	2 - 6 mm	58 - 68 mm	5.5 mm	96 mm	16 mm	3 mm	Hexagon 8	100 pc	413396
Sandwich panel screw S-CD53S 5,5x116	2 - 6 mm	68 - 88 mm	5.5 mm	116 mm	16 mm	3 mm	Hexagon 8	100 pc	413389
Sandwich panel screw S-CD53S 5,5x136	2 - 6 mm	78 - 108 mm	5.5 mm	136 mm	16 mm	3 mm	Hexagon 8	100 pc	413390
Sandwich panel screw S-CD53S 5,5x156	2 - 6 mm	98 - 128 mm	5.5 mm	156 mm	16 mm	3 mm	Hexagon 8	100 pc	413391
Sandwich panel screw S-CD53S 5,5x186	2 - 6 mm	128 - 158 mm	5.5 mm	186 mm	16 mm	3 mm	Hexagon 8	100 pc	413392
Sandwich panel screw S-CD53S 5,5x216	2 - 6 mm	138 - 188 mm	5.5 mm	216 mm	16 mm	3 mm	Hexagon 8	100 pc	413393
Sandwich panel screw S-CD53S 5,5x256	2 - 6 mm	178 - 228 mm	5.5 mm	256 mm	16 mm	3 mm	Hexagon 8	100 pc	413397
Sandwich panel screw S-CD53S 5,5x286	2 - 6 mm	208 - 258 mm	5.5 mm	286 mm	16 mm	3 mm	Hexagon 8	100 pc	413398

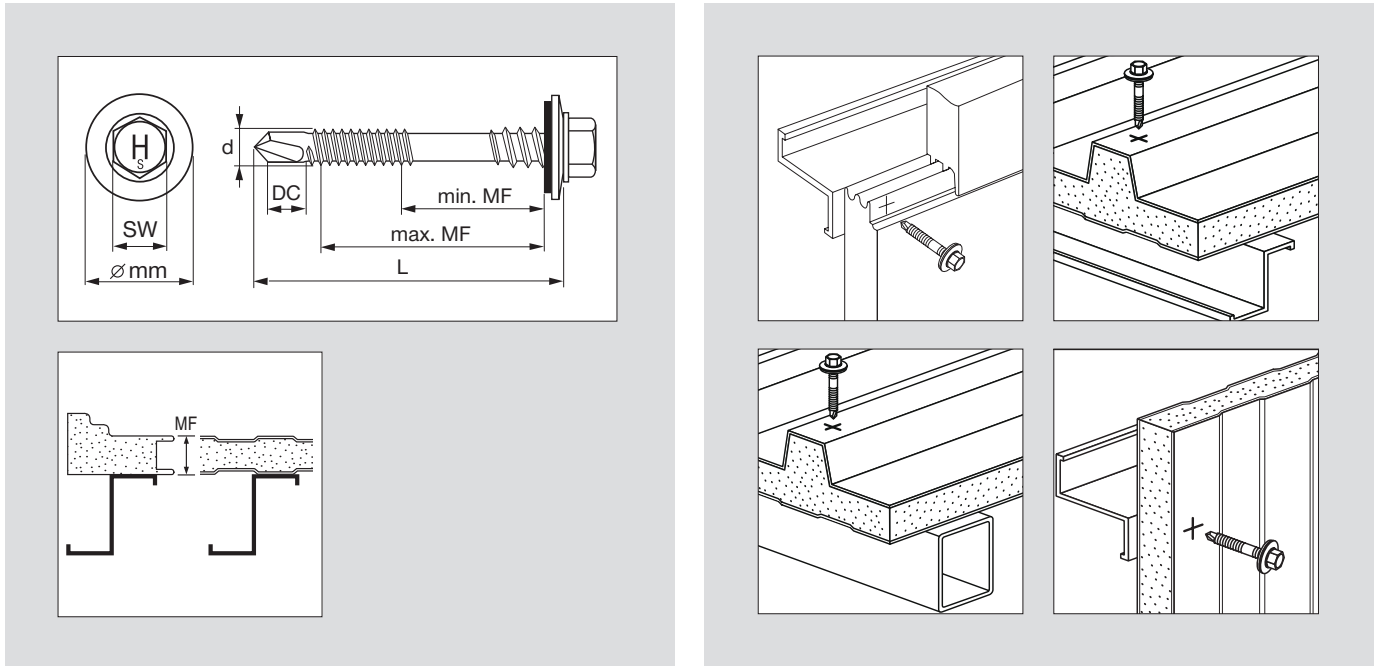
Reference:

- More Information see approval ETA-13/0179 (Chapter 16)

8.5 Stainless steel sandwich panel screw (Ø19) S-CD 63 S



The sandwich panel screws for fastening on light and medium base materials



8

Ordering description	Drilling capacity range (DC)	Thickness fastened range (MF)	Screw diameter (d)	Screw length (L)	Washer size	EPDM-thickness	Screw drive/recess type	Sales quantity	Item number
Sandwich panel screw S-CD63S 5,5x76	2 - 6 mm	38 - 48 mm	5.5 mm	76 mm	19 mm	3 mm	Hexagon 8	100 pc	413354
Sandwich panel screw S-CD63S 5,5x86	2 - 6 mm	48 - 58 mm	5.5 mm	86 mm	19 mm	3 mm	Hexagon 8	100 pc	413355
Sandwich panel screw S-CD63S 5,5x96	2 - 6 mm	58 - 68 mm	5.5 mm	96 mm	19 mm	3 mm	Hexagon 8	100 pc	413356
Sandwich panel screw S-CD63S 5,5x116	2 - 6 mm	68 - 88 mm	5.5 mm	116 mm	19 mm	3 mm	Hexagon 8	100 pc	413349
Sandwich panel screw S-CD63S 5,5x136	2 - 6 mm	78 - 108 mm	5.5 mm	136 mm	19 mm	3 mm	Hexagon 8	100 pc	413350
Sandwich panel screw S-CD63S 5,5x156	2 - 6 mm	98 - 128 mm	5.5 mm	156 mm	19 mm	3 mm	Hexagon 8	100 pc	413351
Sandwich panel screw S-CD63S 5,5x186	2 - 6 mm	128 - 158 mm	5.5 mm	186 mm	19 mm	3 mm	Hexagon 8	100 pc	413352
Sandwich panel screw S-CD63S 5,5x216	2 - 6 mm	138 - 188 mm	5.5 mm	216 mm	19 mm	3 mm	Hexagon 8	100 pc	413353
Sandwich panel screw S-CD63S 5,5x256	2 - 6 mm	178 - 228 mm	5.5 mm	256 mm	19 mm	3 mm	Hexagon 8	100 pc	413357
Sandwich panel screw S-CD63S 5,5x286	2 - 6 mm	208 - 258 mm	5.5 mm	286 mm	19 mm	3 mm	Hexagon 8	100 pc	413358

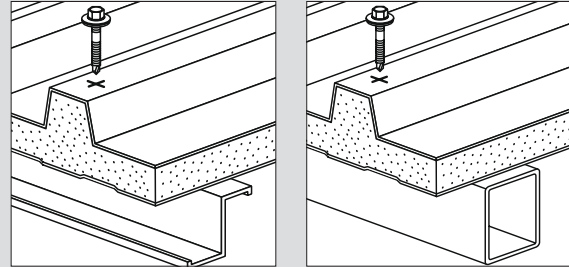
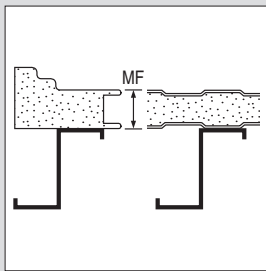
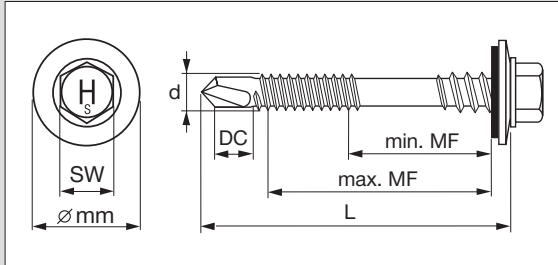
Reference:

- More Information see approval ETA-13/0179 (Chapter 16)

8.6 Stainless steel sandwich panel screw (Ø22) S-CD 73 S



The sandwich panel screws for fastening on light and medium base materials



8

Ordering description	Drilling capacity range (DC)	Thickness fastened range (MF)	Screw diameter (d)	Screw length (L)	Washer size	EPDM-thickness	Screw drive/recess type	Sales quantity	Item number
Sandwich panel screw S-CD73S 5,5x76	2 - 6 mm	38 - 48 mm	5.5 mm	76 mm	22 mm	3 mm	Hexagon 8	100 pc	413374
Sandwich panel screw S-CD73S 5,5x86	2 - 6 mm	48 - 58 mm	5.5 mm	86 mm	22 mm	3 mm	Hexagon 8	100 pc	413375
Sandwich panel screw S-CD73S 5,5x96	2 - 6 mm	58 - 68 mm	5.5 mm	96 mm	22 mm	3 mm	Hexagon 8	100 pc	413376
Sandwich panel screw S-CD73S 5,5x116	2 - 6 mm	68 - 88 mm	5.5 mm	116 mm	22 mm	3 mm	Hexagon 8	100 pc	413369
Sandwich panel screw S-CD73S 5,5x136	2 - 6 mm	78 - 108 mm	5.5 mm	136 mm	22 mm	3 mm	Hexagon 8	100 pc	413370
Sandwich panel screw S-CD73S 5,5x156	2 - 6 mm	98 - 128 mm	5.5 mm	156 mm	22 mm	3 mm	Hexagon 8	100 pc	413371
Sandwich panel screw S-CD73S 5,5x186	2 - 6 mm	128 - 158 mm	5.5 mm	186 mm	22 mm	3 mm	Hexagon 8	100 pc	413372
Sandwich panel screw S-CD73S 5,5x216	2 - 6 mm	138 - 188 mm	5.5 mm	216 mm	22 mm	3 mm	Hexagon 8	100 pc	413373
Sandwich panel screw S-CD73S 5,5x256	2 - 6 mm	178 - 228 mm	5.5 mm	256 mm	22 mm	3 mm	Hexagon 8	100 pc	413377
Sandwich panel screw S-CD73S 5,5x286	2 - 6 mm	208 - 258 mm	5.5 mm	286 mm	22 mm	3 mm	Hexagon 8	100 pc	413378

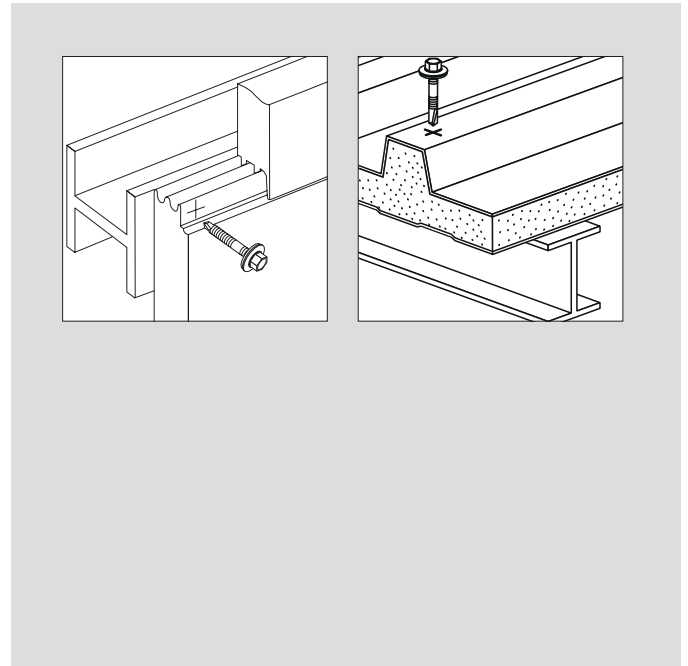
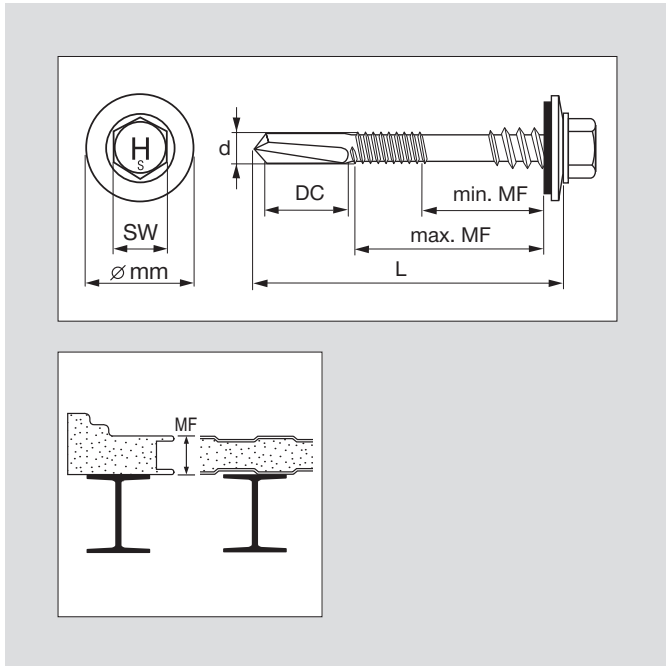
Reference:

- More Information see approval ETA-13/0179 (Chapter 16)



8.7 Stainless steel sandwich panel screw (Ø16) S-CD 55 S

The sandwich panel screw for thick base materials



Ordering description	Drilling capacity range (DC)	Thickness fastened range (MF)	Screw diameter (d)	Screw length (L)	Washer size	EPDM-thickness	Screw drive/recess type	Sales quantity	Item number
Sandwich panel screw S-CD55S 5,5x90	3.5 - 12 mm	22 - 45 mm	5.5 mm	90 mm	16 mm	3 mm	Hexagon 8	100 pc	2038154
Sandwich panel screw S-CD55S 5,5x100	3.5 - 12 mm	32 - 55 mm	5.5 mm	100 mm	16 mm	3 mm	Hexagon 8	100 pc	2038155
Sandwich panel screw S-CD55S 5,5x110	3.5 - 12 mm	42 - 65 mm	5.5 mm	110 mm	16 mm	3 mm	Hexagon 8	100 pc	2038156
Sandwich panel screw S-CD55S 5,5x130	3.5 - 12 mm	62 - 85 mm	5.5 mm	130 mm	16 mm	3 mm	Hexagon 8	100 pc	2038157
Sandwich panel screw S-CD55S 5,5x150	3.5 - 12 mm	82 - 105 mm	5.5 mm	150 mm	16 mm	3 mm	Hexagon 8	100 pc	2038158
Sandwich panel screw S-CD55S 5,5x170	3.5 - 12 mm	102 - 125 mm	5.5 mm	170 mm	16 mm	3 mm	Hexagon 8	100 pc	2038159
Sandwich panel screw S-CD55S 5,5x190	3.5 - 12 mm	122 - 145 mm	5.5 mm	190 mm	16 mm	3 mm	Hexagon 8	100 pc	2038270
Sandwich panel screw S-CD55S 5,5x220	3.5 - 12 mm	137 - 175 mm	5.5 mm	220 mm	16 mm	3 mm	Hexagon 8	100 pc	2038271

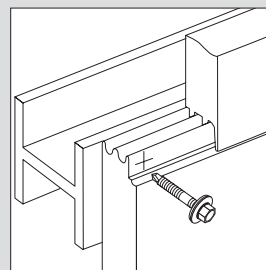
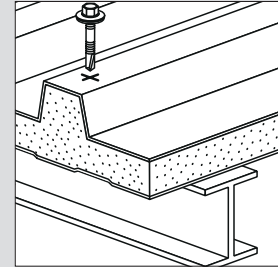
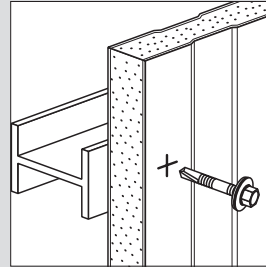
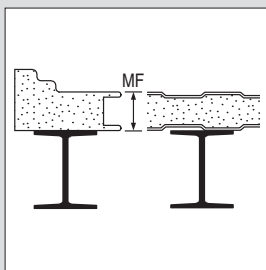
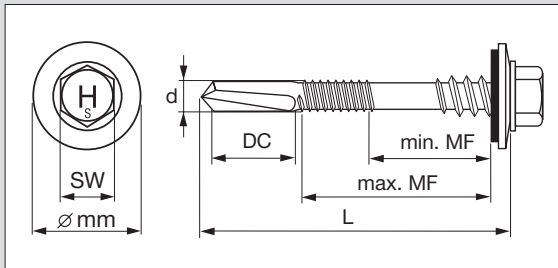
Reference:

- More Information see approval ETA-13/0179 (Chapter 16)

8.8 Stainless steel sandwich panel screw (Ø19) S-CD 65 S



The sandwich panel screw for thick base materials



8

Ordering description	Drilling capacity range (DC)	Thickness fastened range (MF)	Screw diameter (d)	Screw length (L)	Washer size	EPDM-thickness	Screw drive/recess type	Sales quantity	Item number
Sandwich panel screw S-CD65S 5,5X90	3.5 - 12 mm	22 - 45 mm	5.5 mm	90 mm	19 mm	2 mm	Hexagon 8	100 pc	375250
Sandwich panel screw S-CD65S 5,5X100	3.5 - 12 mm	32 - 55 mm	5.5 mm	100 mm	19 mm	2 mm	Hexagon 8	100 pc	375251
Sandwich panel screw S-CD65S 5,5X110	3.5 - 12 mm	42 - 65 mm	5.5 mm	110 mm	19 mm	2 mm	Hexagon 8	100 pc	375252
Sandwich panel screw S-CD65S 5,5X130	3.5 - 12 mm	62 - 85 mm	5.5 mm	130 mm	19 mm	2 mm	Hexagon 8	100 pc	375253
Sandwich panel screw S-CD65S 5,5X150	3.5 - 12 mm	82 - 105 mm	5.5 mm	150 mm	19 mm	2 mm	Hexagon 8	100 pc	375254
Sandwich panel screw S-CD65S 5,5X170	3.5 - 12 mm	102 - 125 mm	5.5 mm	170 mm	19 mm	2 mm	Hexagon 8	100 pc	375255
Sandwich panel screw S-CD65S 5,5x190	3.5 - 12 mm	122 - 145 mm	5.5 mm	190 mm	19 mm	2 mm	Hexagon 8	100 pc	284544
Sandwich panel screw S-CD65S 5,5x220	3.5 - 12 mm	137 - 175 mm	5.5 mm	220 mm	19 mm	2 mm	Hexagon 8	100 pc	284545

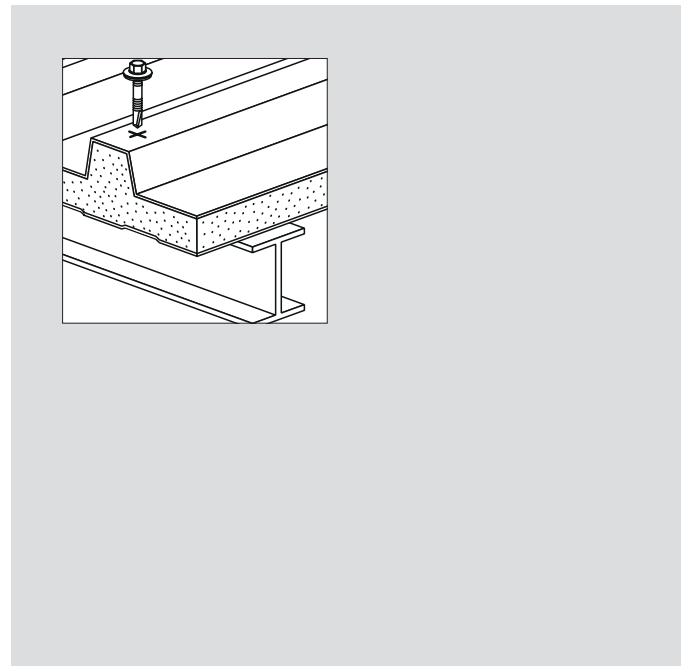
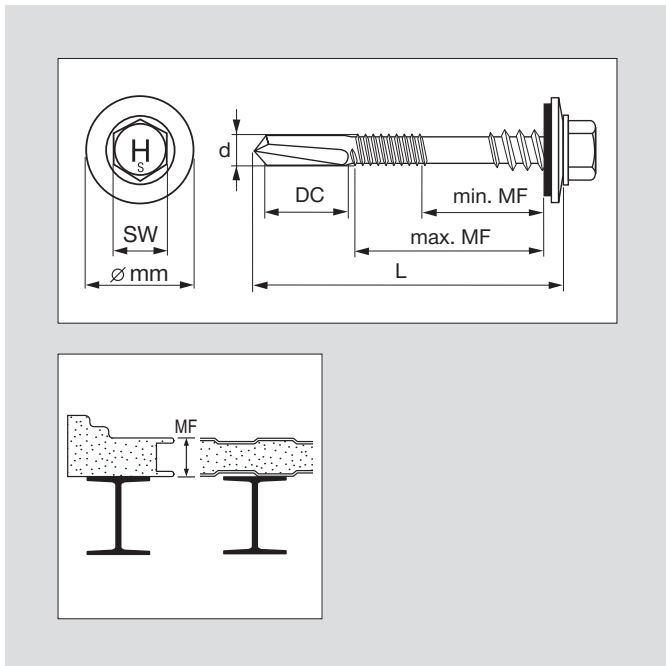
Reference:

- More Information see approval ETA-13/0179 (Chapter 16)



8.9 Stainless steel sandwich panel screw (Ø22) S-CD 75 S

The sandwich panel screw for thick base materials



Ordering description	Drilling capacity range (DC)	Thickness fastened range (MF)	Screw diameter (d)	Screw length (L)	Washer size	EPDM-thickness	Screw drive/recess type	Sales quantity	Item number
Sandwich panel screw S-CD75S 5,5x90	3.5 - 12 mm	22 - 45 mm	5.5 mm	90 mm	22 mm	2 mm	Hexagon 8	100 pc	285650
Sandwich panel screw S-CD75S 5,5x100	3.5 - 12 mm	32 - 55 mm	5.5 mm	100 mm	22 mm	2 mm	Hexagon 8	100 pc	285651
Sandwich panel screw S-CD75S 5,5x110	3.5 - 12 mm	42 - 65 mm	5.5 mm	110 mm	22 mm	2 mm	Hexagon 8	100 pc	285652
Sandwich panel screw S-CD75S 5,5x130	3.5 - 12 mm	62 - 85 mm	5.5 mm	130 mm	22 mm	2 mm	Hexagon 8	100 pc	285653
Sandwich panel screw S-CD75S 5,5x150	3.5 - 12 mm	82 - 105 mm	5.5 mm	150 mm	22 mm	2 mm	Hexagon 8	100 pc	285654
Sandwich panel screw S-CD75S 5,5x170	3.5 - 12 mm	102 - 125 mm	5.5 mm	170 mm	22 mm	2 mm	Hexagon 8	100 pc	285655
Sandwich panel screw S-CD75S 5,5x190	3.5 - 12 mm	122 - 145 mm	5.5 mm	190 mm	22 mm	2 mm	Hexagon 8	100 pc	285656
Sandwich panel screw S-CD75S 5,5x220	3.5 - 12 mm	137 - 175 mm	5.5 mm	220 mm	22 mm	2 mm	Hexagon 8	100 pc	285657

Reference:

- More Information see approval ETA-13/0179 (Chapter 16)