



HILTI HDA
UNDERCUT ANCHOR
ETA-99/0009 (06.05.2025)



English 2-43

Français 44-85



European Technical Assessment

ETA-99/0009 of 06/05/2025

English translation prepared by CSTB - Original version in French language

General Part

Trade name:	Hilti HDA-P, HDA-PR, HDA-T, HDA-TR
Product family:	Self-cutting undercut anchor, made of galvanized steel for use in cracked and uncracked concrete: sizes M10, M12, M16 and M20 and made of stainless steel for use in cracked and uncracked concrete: sizes M10, M12 and M16.
Manufacturer:	Hilti Aktiengesellschaft Feldkircherstrasse 100 FL-9494 Schaan Principality of Liechtenstein
Manufacturing plants:	Hilti plants
This European Technical Assessment contains:	<i>42 pages including 39 annexes which form an integral part of this assessment</i>
This European Technical Assessment is issued in accordance with Regulation (EU) No 305/2011, on the basis of:	<i>EAD 330232-01-0601-v02</i>
<i>This version replaces:</i>	<i>ETA-99/0009 of 06/01/2015</i>

The European Technical Assessment is issued by the Technical Assessment Body in its official language. Translations of this European Technical Assessment in other languages shall fully correspond to the original issued document and shall be identified as such. Communication of this European Technical Assessment, including transmission by electronic means, shall be in full. However, partial reproduction may only be made with the written consent of the issuing Technical Assessment Body. Any partial reproduction shall be identified as such. This European Technical Assessment may be withdrawn by the issuing Technical Assessment Body, in particular pursuant to information by the Commission in accordance with Article 25(3) of Regulation (EU) No 305/2011.

Specific Part

1 Technical description of the product

The HILTI HDA-P and HDA-T anchor in the range of M10 to M20 is a self-cutting undercut anchor made of galvanised steel. The HILTI HDA-PR and HDA-TR anchor in the range of M10 to M16 is a self-cutting undercut anchor made of stainless steel. Both are available as pre-setting (HDA-P and HDA-PR version) and as through-fastening anchor (HDA-T and HDA-TR version). They are inserted into a hole that has been drilled by a stop-drill bit, and the self-undercut is formed using a setting tool. The nut is torque tightened to complete the fastening of the fixture.

The illustration and the description of the product are given in Annexes A.

2 Specification of the intended use

The performances given in Section 3 are only valid if the anchor is used in compliance with the specifications and conditions given in Annexes B.

The provisions made in this European technical assessment are based on an assumed working life of the anchor of 50 and 100 years. The indications given on the working life cannot be interpreted as a guarantee given by the producer but are to be regarded only as a means for choosing the right products in relation to the expected economically reasonable working life of the works.

3 Performance of the product

3.1 Mechanical resistance and stability (BWR 1)

Essential characteristic	Performance
Characteristic resistance in case of static and quasi-static loading, displacements	See Annexes C1 to C9
Characteristic resistance in case of seismic performance category C1	See Annexes C10 to C12
Characteristic resistance in case of seismic performance category C2, displacements	See Annexes C13 to C18
Durability	See Annex B1

3.2 Safety in case of fire (BWR 2)

Essential characteristic	Performance
Reaction to fire	Anchorage satisfy requirements for Class A1
Resistance to fire	See Annexes C19 to C24

3.3 Hygiene, health and the environment (BWR 3)

Regarding dangerous substances contained in this European technical approval, there may be requirements applicable to the products falling within its scope (e.g. transposed European legislation and national laws, regulations and administrative provisions). In order to meet the provisions of the Construction Products Directive, these requirements need also to be complied with, when and where they apply.

3.4 Safety in use (BWR 4)

For Basic requirement Safety in use the same criteria are valid as for Basic Requirement Mechanical resistance and stability.

3.5 Protection against noise (BWR 5)

Not relevant.

3.6 Energy economy and heat retention (BWR 6)

Not relevant.

3.7 Sustainable use of natural resources (BWR 7)

For the sustainable use of natural resources no performance was determined for this product.

3.8 General aspects relating to fitness for use

Durability and Serviceability are only ensured if the specifications of intended use according to Annex B1 are kept.

4 Assessment and verification of constancy of performance (AVCP)

According to the Decision 96/582/EC of the European Commission¹, as amended, the system of assessment and verification of constancy of performance (see Annex V to Regulation (EU) No 305/2011) given in the following table apply.

Product	Intended use	Level or Class	System
Metal anchors for use in concrete	For fixing and/or supporting to concrete, structural elements (which contributes to the stability of the works) or heavy units	—	1

5 Technical details necessary for the implementation of the AVCP system

Technical details necessary for the implementation of the Assessment and verification of constancy of performance (AVCP) system are laid down in the control plan deposited at Centre Scientifique et Technique du Bâtiment.

The manufacturer shall, on the basis of a contract, involve a notified body approved in the field of anchors for issuing the certificate of conformity CE based on the control plan.

Issued in Marne La Vallée on 06/05/2025 by
Loïc Payet
Responsable de Division

The original French version is signed

1

Official Journal of the European Communities L 254 of 08.10.1996

Installed condition

Figure A1:

Pre-setting anchor HDA-P and HDA-PR (Prepositioning)

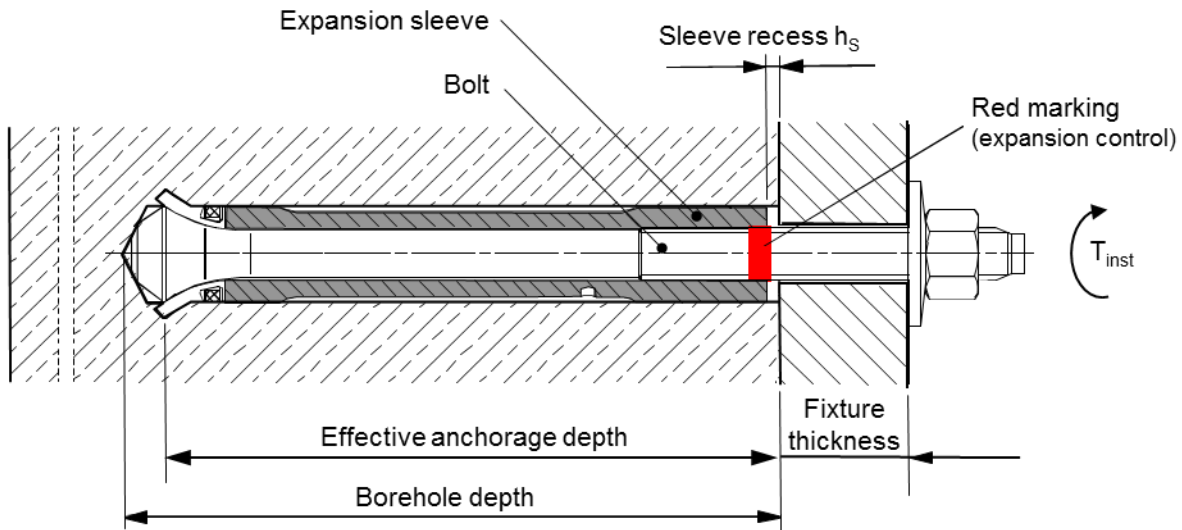
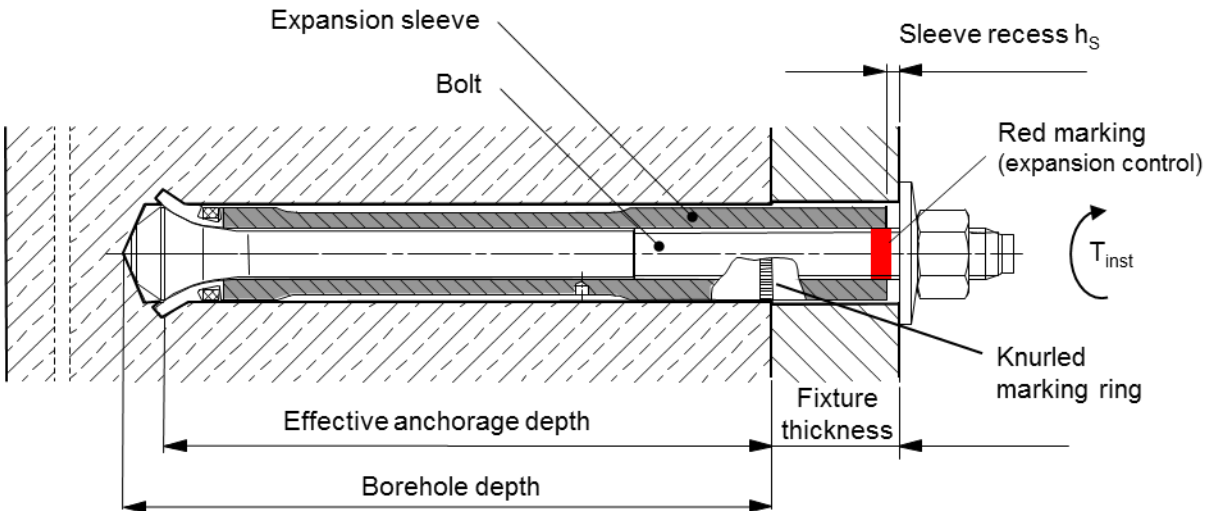


Figure A2:

Through-fastening anchor HDA-T and HDA-TR (Post positioning)



Self-cutting undercut anchor HDA

Product description
 Installation condition

Annex A1

Figure A3:

Pre-setting anchor HDA-P and HDA-PR (Prepositioning) with Filling Set

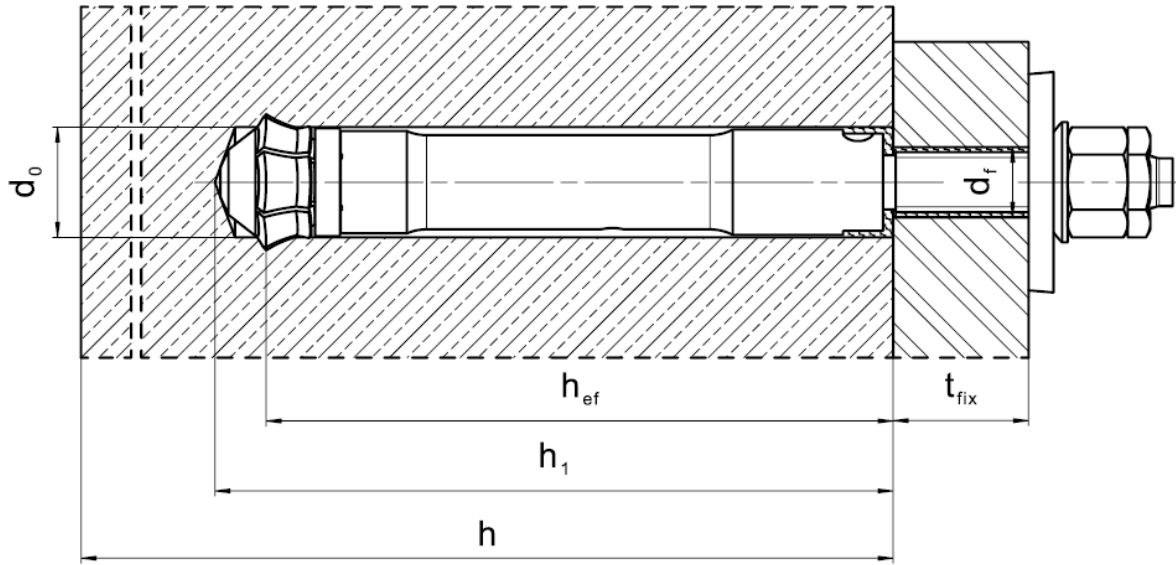
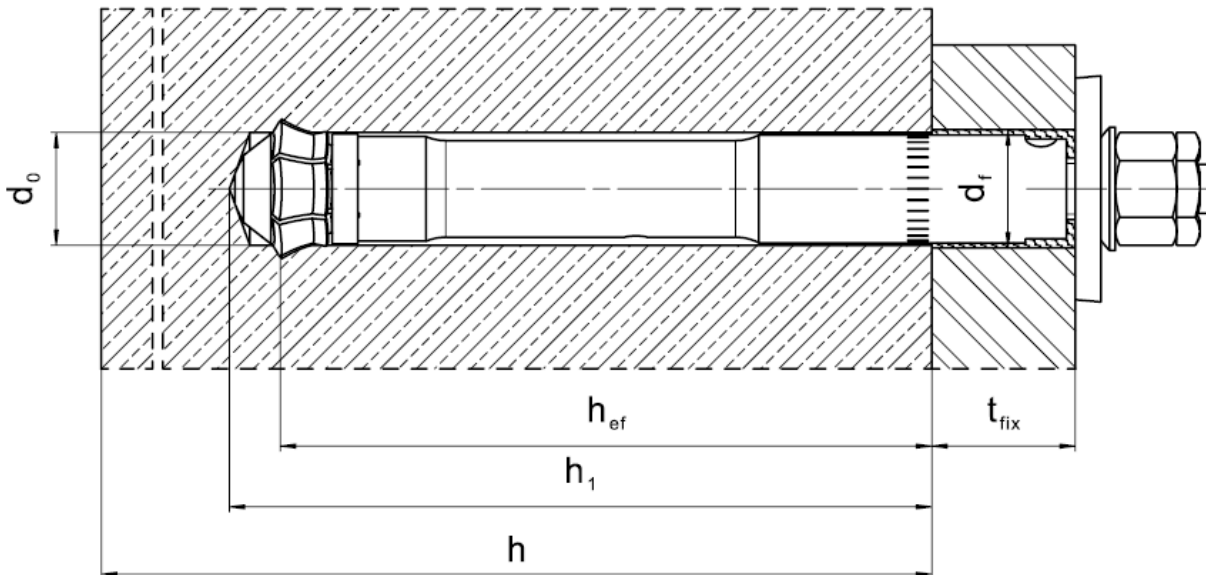


Figure A4:

Through-fastening anchor HDA-T and HDA-TR (Post positioning) with Filling Set



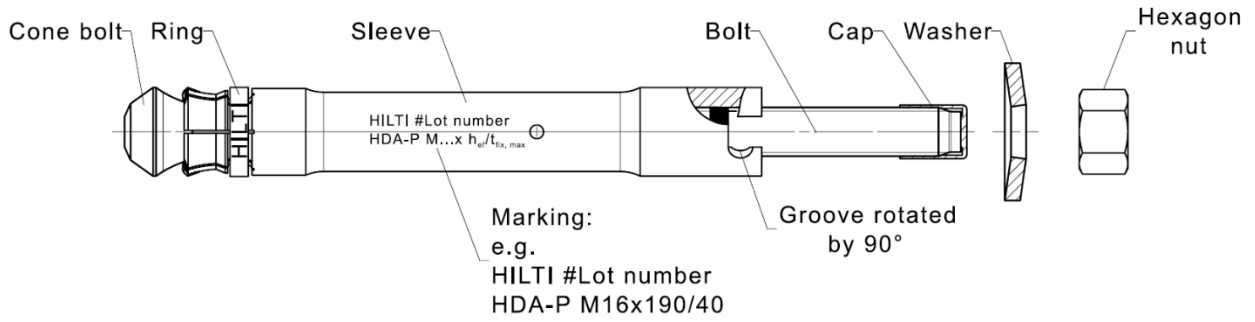
Self-cutting undercut anchor HDA

Product description
 Installation condition

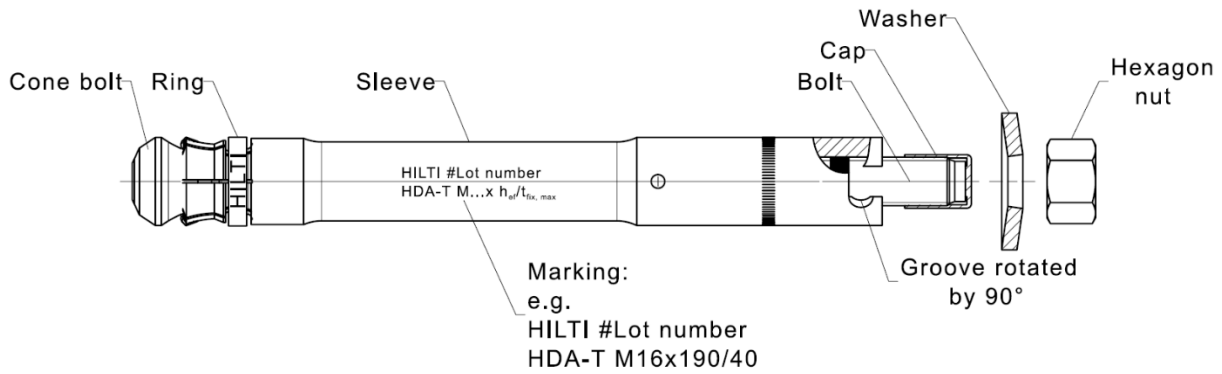
Annex A2

Product description

Pre-setting anchor HDA-P and HDA-PR (Prepositioning)



Through-fastening anchor HDA-T and HDA-TR (Post positioning)



Self-cutting undercut anchor HDA

Product description
 Anchor types, marking and identification

Annex A3

Table A1: Materials HDA-P and HDA-T

Designation	HDA-P / HDA-T (carbon steel)
Sleeve	Carbon steel, galvanized, $\geq 5 \mu\text{m}$
Bolt	Carbon steel, galvanized, $\geq 5 \mu\text{m}$
Hexagon nut	Carbon steel, galvanized, $\geq 5 \mu\text{m}$
Washer	Carbon steel, galvanized, $\geq 5 \mu\text{m}$
Ring	Plastic ring
Protective Cap	Plastic cap

Table A2: Materials HDA-PR and HDA-TR

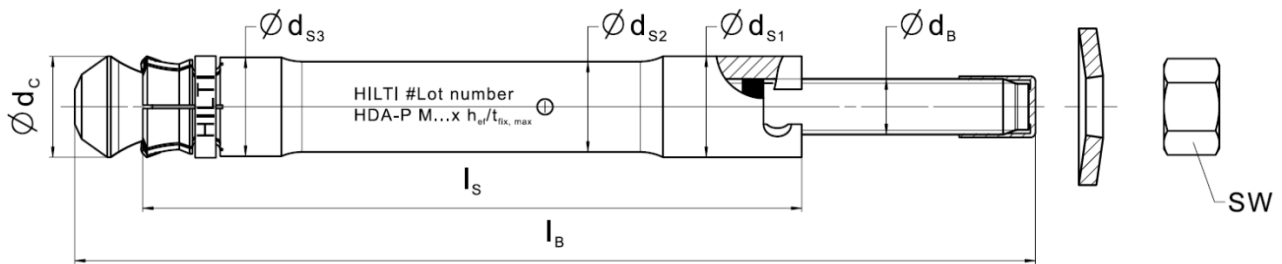
Designation	HDA-PR / HDA-TR (stainless steel)
Sleeve	Stainless steel A4 according to EN 10088-1:2014
Bolt	Stainless steel A4 according to EN 10088-1:2014
Hexagon nut	Stainless steel A4 according to EN 10088-1:2014
Washer	Stainless steel A4 according to EN 10088-1:2014
Ring	Plastic ring
Protective Cap	Plastic cap

Self-cutting undercut anchor HDA

Product description
Materials

Annex A4

Pre-setting anchor HDA-P and HDA-PR (Prepositioning)



Through-fastening anchor HDA-T and HDA-TR (Post positioning)

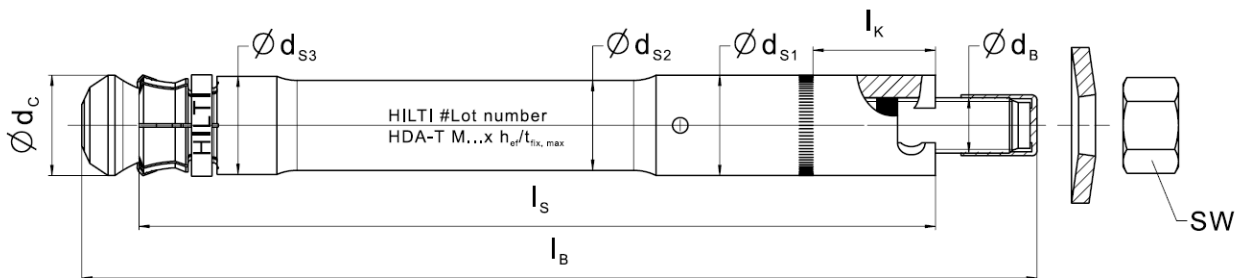


Table A3: Anchor dimensions

Anchor type	t _{fix} ¹⁾ min-max [mm]	l _B [mm]	Length code letter	l _s [mm]	l _k [mm]	SW	d _{s1} [mm]	d _{s2} [mm]	d _{s3} [mm]	d _c [mm]	d _B [mm]
HDA-P(R) M10x100/20	0 - 20	150	I	100	-	17	19	16,8	18,5	19,5	10
HDA-T(R) M10x100/20	10 - 20	150	I	120	17	17	19	16,8	18,5	19,5	10
HDA-P(R) M12x125/30	0 - 30	190	L	125	-	19	21	18,8	20,5	21,4	12
HDA-P(R) M12x125/50	0 - 50	210	N	125	-	19	21	18,8	20,5	21,4	12
HDA-T(R) M12x125/30	10 - 30	190	L	155	27	19	21	18,8	20,5	21,4	12
HDA-T(R) M12x125/50	10 - 50	210	N	175	47	19	21	18,8	20,5	21,4	12
HDA-P(R) M16x190/40	0 - 40	275	R	190	-	24	29	26	28,5	29	16
HDA-P(R) M16x190/60	0 - 60	295	S	190	-	24	29	26	28,5	29	16
HDA-T(R) M16x190/40	15 - 40	275	R	230	35,5	24	29	26	28,5	29	16
HDA-T(R) M16x190/60	15 - 60	295	S	250	55,5	24	29	26	28,5	29	16
HDA-P M20x250/50	0 - 50	360	V	250	-	30	35	32	34,5	36	20
HDA-P M20x250/100	0 - 100	410	X	250	-	30	35	32	34,5	36	20
HDA-T M20x250/50	20 - 50	360	V	300	45	30	35	32	34,5	36	20
HDA-T M20x250/100	20 - 100	410	X	350	95	30	35	32	34,5	36	20

¹⁾ first value: t_{fix,min} minimum fixture thickness
 second value: t_{fix,max} maximum fixture thickness

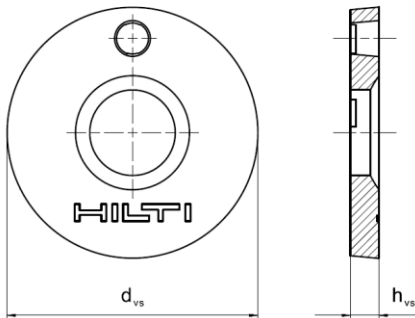
Self-cutting undercut anchor HDA

Product description
 Dimensions

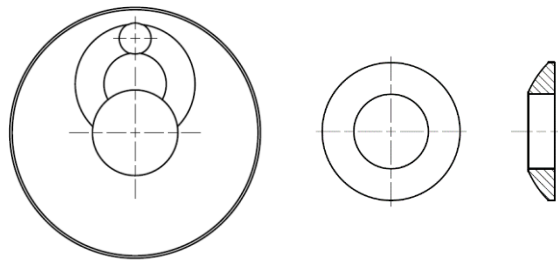
Annex A5

Filling Set to fill the annular gap between the anchor and the fixture

Sealing washer



Spherical washer



Filling Set

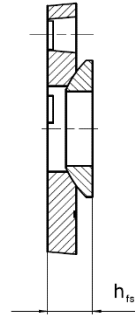


Table A4: Dimensions of the Filling Set

Filling Set used for HDA-P(R) and HDA-T(R)			M10	M12	M16	M20 ¹⁾
Diameter of sealing washer	d_{vs}	[mm]	42	44	52	60
Thickness of sealing washer	h_{vs}	[mm]	5		6	
Thickness of Hilti Filling Set	h_{fs}	[mm]	9	10	11	13

¹⁾ Size M20 only for HDA-P and HDA-T version

Table A5: Materials of the Filling Set

Filling set used for HDA-PR and HDA-TR	
Corrosion resistance class III according EN 1993-1-4:2006+A1:2015	
Sealing washer	Stainless steel A4 according to EN 10088-1:2014
Spherical washer	Stainless steel A4 according to EN 10088-1:2014
Filling set used for HDA-P and HDA-T	
Sealing washer	Galvanized carbon steel
Spherical washer	Galvanized carbon steel
Mortar	
Injection mortar	Injection mortar Hilti HIT-HY...

Self-cutting undercut anchor HDA

Product description
 Dimensions and Materials

Annex A6

Specifications of intended use with working life 50 and 100 years

Anchorage subject to:

- Static and quasi-static loading: all sizes.
- Seismic performance category C1 and C2: all sizes.
- Fire exposure: all sizes.

Base materials:

- Reinforced or unreinforced normal weight concrete according to EN 206:2013+ A1:2016.
- Strength classes C20/25 to C50/60 according to EN 206:2013+A1:2016.
- Cracked and uncracked concrete.

Use conditions (Environmental conditions):

- HDA-PR and HDA-TR anchors made of stainless steel:
Structures subject to external / internal conditions see EAD.
- HDA-P and HDA-T anchors made of galvanised steel:
Structures subject to dry internal conditions.

Design:

- Anchorages are designed under the responsibility of an engineer experienced in anchorages and concrete work.
- Verifiable calculation notes and drawings are prepared taking account of the loads to be anchored. The position of the anchor is indicated on the design drawings (e.g. position of the anchor relative to reinforcement or to supports etc.).
- Anchorages under static or quasi-static loading are designed in accordance with EN 1992-4:2018
- Anchorages under seismic actions (cracked concrete) are designed in accordance with EN 1992-4:2018
- Anchorages shall be positioned outside of critical regions (e.g. plastic hinges) of the concrete structure. Fastenings in stand-off installation or with a grout layer under seismic action are not covered in this European technical assessment (ETA).
- In case of requirements to resistance to fire local spalling of the concrete cover must be avoided.

Self-cutting undercut anchor HDA

Intended use
Specifications

Annex B1

Installation:

- Anchor installation carried out by appropriately qualified personnel and under the supervision of the person responsible for technical matters of the site.
- Use of the anchor only as supplied by the manufacturer without exchanging the components of an anchor.
- Anchor installation in accordance with the manufacturer's specifications and drawings and using the appropriate tools (hammer drill, setting tool, stop drill bit).
- Thickness of the fixture corresponding to the range of required thickness values for the type of anchor.
- Checks before placing the anchor to ensure that the strength class of the concrete in which the anchor is to be placed is in the range given and is not lower than that of the concrete to which the characteristic loads apply.
- Check of concrete being well compacted, e.g. without significant voids
- Drilling technique: see Table B1 and Table B2.
- Cleaning the hole of drilling dust
- Anchor installation ensuring the specified embedment depth using a special required stop drill bit
- Anchor installation ensuring complete expansion of the sleeve with checking that the non-threaded coloured ring marking on the bolt is visible above the top edge of the anchor sleeve; therefore, it is required using the special setting tool, that is the appropriate depth ring marking of the setting tool at least flush with the concrete surface (pre-setting) respecting with the fixture surface (through-fastening).
- Anchor installation ensuring complete shear load capacity, the recess of the top edge of the sleeve respecting with the concrete surface (pre-setting) or with surface of the fixture (through-fastening) has to be in the specified range according to Annex B6.
- Keeping of the edge distance and spacing to the specified values without minus tolerances.
- Positioning of the drill holes and the undercut without damaging the reinforcement.
- In case of aborted hole, drilling of new hole at a minimum distance of twice the depth of the aborted hole, or smaller distance provided the aborted drill hole is filled with high strength mortar and no shear or oblique tension loads in the direction of aborted hole.
- Application of the torque moment given in Annex B6 using a calibrated torque wrench.

Self-cutting undercut anchor HDA

Intended use
Specifications


Annex B2

Table B1: Specifications of intended use

Anchorage subject to:	M10	M12	M16	M20 ¹⁾
Static and quasi static loading in cracked and uncracked concrete - hammer drilling	✓	✓	✓	✓
Seismic performance category C1 - hammer drilling	✓	✓	✓	✓
Seismic performance category C2 - hammer drilling	✓	✓	✓	✓
Fire exposure - hammer drilling	✓	✓	✓	✓

¹⁾ Size M20 only for HDA-P and HDA-T version

Table B2: Drilling technique

Anchorage subject to:	M10	M12	M16	M20 ¹⁾
Hammer drilling (HD) using stop drill bit 	✓	✓	✓	✓

¹⁾ Size M20 only for HDA-P and HDA-T version

Table B3: Drill hole cleaning




Manual cleaning (MC): Hilti hand pump for blowing out boreholes	
Compressed air cleaning (CAC): Air nozzle with an orifice opening of 3,5 mm in diameter	

Table B4: Methods for torquing

	HDA-P(R) / HDA-T(R)
Torque wrench 	HDA-P and HDA-T: M10 to M20 HDA-PR and HDA-TR: M10 to M16

Self-cutting undercut anchor HDA

Intended use
Specifications

Annex B3

Stop drill bit HDA

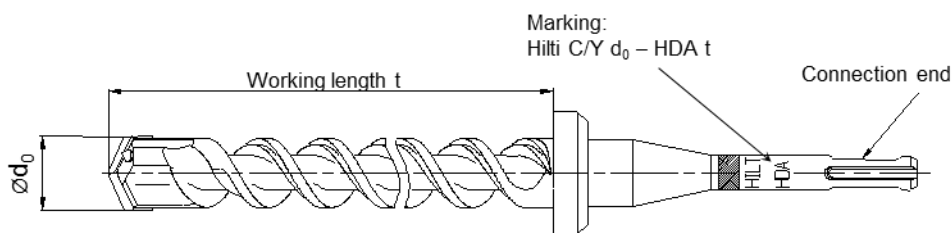
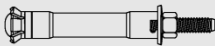
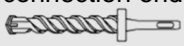



Table B5: Required stop drill bits for HDA

Anchor 	Stop drill bit with		Nominal Working length t [mm]	Drill bit diameter d ₀ [mm]
	TE-C connection end 	TE-Y connection end 		
HDA-P(R) M10x100/20	TE-C-HDA-B 20x100	TE-Y-HDA-B 20x100	107	20
HDA-T(R) M10x100/20	TE-C-HDA-B 20x120	TE-Y-HDA-B 20x120	127	20
HDA-P(R) M12x125/30 HDA-P(R) M12x125/50	TE-C-HDA-B 22x125	TE-Y-HDA-B 22x125	133	22
HDA-T(R) M12x125/30	TE-C-HDA-B 22x155	TE-Y-HDA-B 22x155	163	22
HDA-T(R) M12x125/50	TE-C-HDA-B 22x175	TE-Y-HDA-B 22x175	183	22
HDA-P(R) M16x190/40 HDA-P(R) M16x190/60	-	TE-Y-HDA-B 30x190	203	30
HDA-T(R) M16x190/40	-	TE-Y-HDA-B 30x230	243	30
HDA-T(R) M16x190/60	-	TE-Y-HDA-B 30x250	263	30
HDA-P M20x250/50 HDA-P M20x250/100	-	TE-Y-HDA-B 37x250	266	37
HDA-T M20x250/50	-	TE-Y-HDA-B 37x300	316	37
HDA-T M20x250/100	-	TE-Y-HDA-B 37x350	366	37

Self-cutting undercut anchor HDA

Annex B4

Intended use
Setting tools

Setting tool HDA

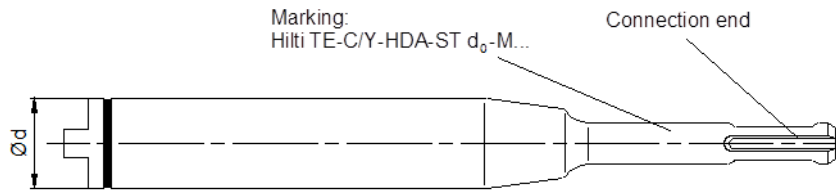
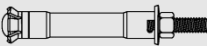
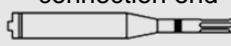
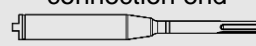


Table B6: Required setting tools for HDA¹⁾

Anchor 	Setting tool with		Ød [mm]
	TE-C connection end 	TE-Y connection end 	
HDA-P(R) M10x100/20 HDA-T(R) M10x100/20	TE-C-HDA-ST 20-M10	TE-Y-HDA-ST 20-M10	20
HDA-P(R) M12x125/30 HDA-P(R) M12x125/50 HDA-T(R) M12x125/30 HDA-T(R) M12x125/50	TE-C-HDA-ST 22-M12	TE-Y-HDA-ST 22-M12	22
HDA-P(R) M16x190/40 HDA-P(R) M16x190/60 HDA-T(R) M16x190/40 HDA-T(R) M16x190/60	-	TE-Y-HDA-ST 30-M16	30
HDA-P M20x250/50 HDA-P M20x250/100 HDA-T M20x250/50 HDA-T M20x250/100	-	TE-Y-HDA-ST 37-M20	37

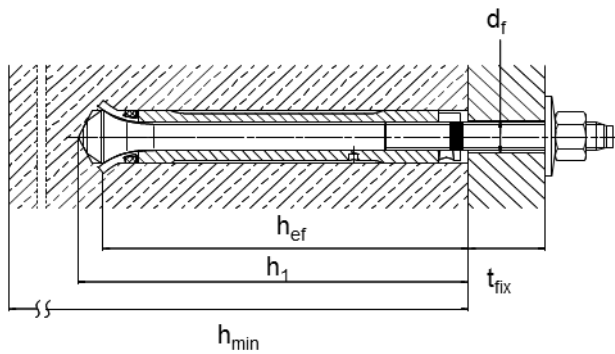
¹⁾ Required drilling machine for HDA as defined by the manufacturer in the manufacturer's product installation instructions.

Self-cutting undercut anchor HDA

Intended use
Setting tools

Annex B5

Pre-setting anchor
HDA-P and HDA-PR (Prepositioning)



Through-fastening anchor
HDA-T and HDA-TR (Post positioning)

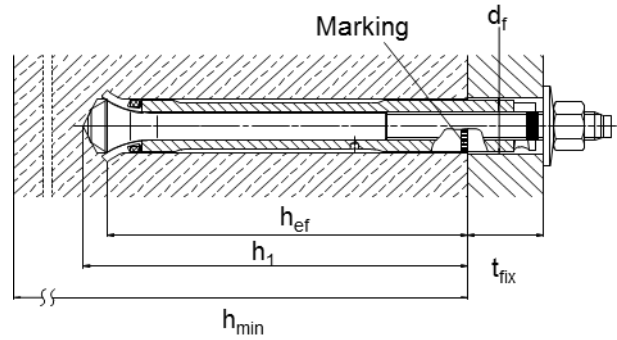


Table B7: Installation parameters

Anchor type Pre-setting/Through-setting	HDA M10		HDA M12		HDA M16		HDA M20	
	P(R)	T(R)	P(R)	T(R)	P(R)	T(R)	P	T
Nominal diameter of drill bit d_0 [mm]	20		22		30		37	
Max. cutting diameter of drill bit d_{cut} [mm]	20,55		22,55		30,55		37,70	
Depth of drill hole h_1 [mm]	107	≥ 107	133	≥ 133	203	≥ 203	266	≥ 266
Max. diameter of clearance hole in the fixture d_f [mm]	12	21	14	23	18	32	22	40
Minimum fixture thickness $t_{fix,min}$ [mm]	0	10	0	10	0	15	0	20
Sleeve recess ¹⁾ h_s [mm]	$2 \leq h_s \leq 6$		$2 \leq h_s \leq 7$		$2 \leq h_s \leq 8$		$2 \leq h_s \leq 8$	
Installation torque T_{inst} [Nm]	50		80		120		300	

¹⁾ sleeve recess after setting of the anchor

a) Pre-setting anchor HDA-P(R):

distance from surface of the concrete member to top edge of the anchor sleeve, see Annex A1

b) Through-fastening anchor HDA-T(R):

distance from top edge of the fixture to top edge of the anchor sleeve, see Annex A1

Self-cutting undercut anchor HDA

Intended use
 Installation parameters

Annex B6

Table B8: Minimum thickness of concrete member, HDA-P and HDA-PR

Anchor type	HDA-P M10 HDA-PR M10	HDA-P M12 HDA-PR M12	HDA-P M16 HDA-PR M16	HDA-P M20
Minimum thickness of concrete member h_{min} [mm]	180	200	270	350

Table B9: Minimum thickness of concrete member, HDA-T and HDA-TR

Anchor type	HDA-T M10 HDA-TR M10	HDA-T M12 HDA-TR M12		HDA-T M16 HDA-TR M16		HDA-T M20	
Maximum fixture thickness $t_{fix,max}$ ¹⁾ [mm]	20	30	50	40	60	50	100
Minimum thickness of concrete member h_{min} ²⁾ [mm]	200- t_{fix}	230- t_{fix}	250- t_{fix}	310- t_{fix}	330- t_{fix}	400- t_{fix}	450- t_{fix}

¹⁾ $t_{fix,max}$ maximum fixture thickness, see Table A3, Annex A5

²⁾ h_{min} is dependent on the actual fixture thickness t_{fix} (use of a stop drill bit)

e.g. HDA-T M12x125/50: $t_{fix} = 20\text{mm} \rightarrow h_{min} = 250-20 = 230\text{mm}$

$t_{fix} = 50\text{mm} \rightarrow h_{min} = 250-50 = 200\text{mm}$

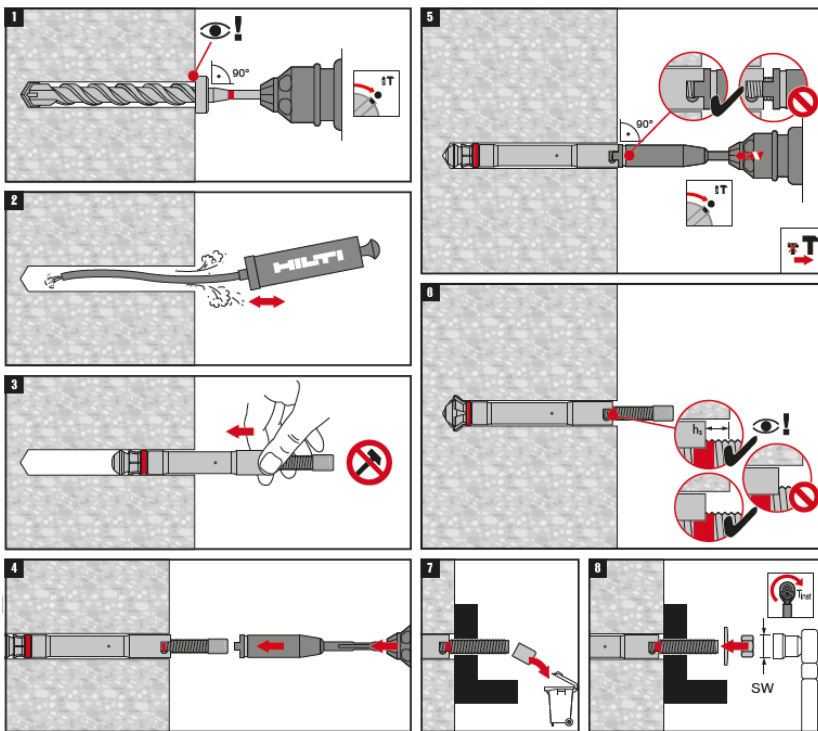
Table B10: Minimum spacing and minimum edge distances of anchors

HDA-P(R) / HDA-T(R)	M10	M12	M16	M20 ¹⁾
Cracked concrete				
Minimum spacing s_{min} [mm]	80	90	120	150
Minimum edge distance c_{min} [mm]	80	90	120	150
Uncracked concrete				
Minimum spacing s_{min} [mm]	80	90	120	150
Minimum edge distance c_{min} [mm]	80	90	120	150

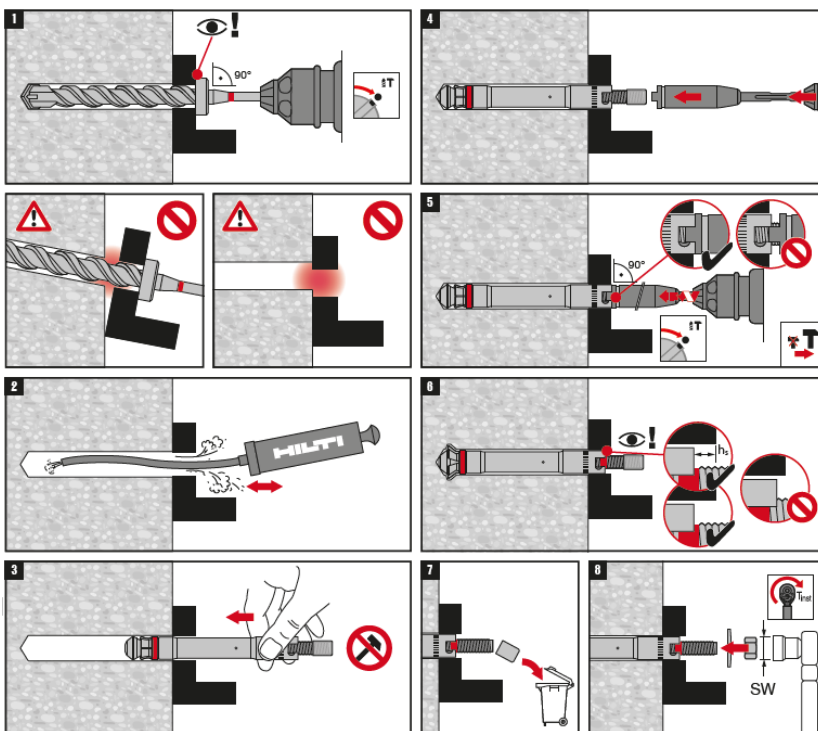
¹⁾ Size M20 only for HDA-P and HDA-T version

Self-cutting undercut anchor HDA	Annex B7
Intended use Minimum spacing and minimum edge distance	

Instruction for Use: HDA-P and HDA-PR (Prepositioning)



Instruction for Use: HDA-T and HDA-TR (Post positioning)



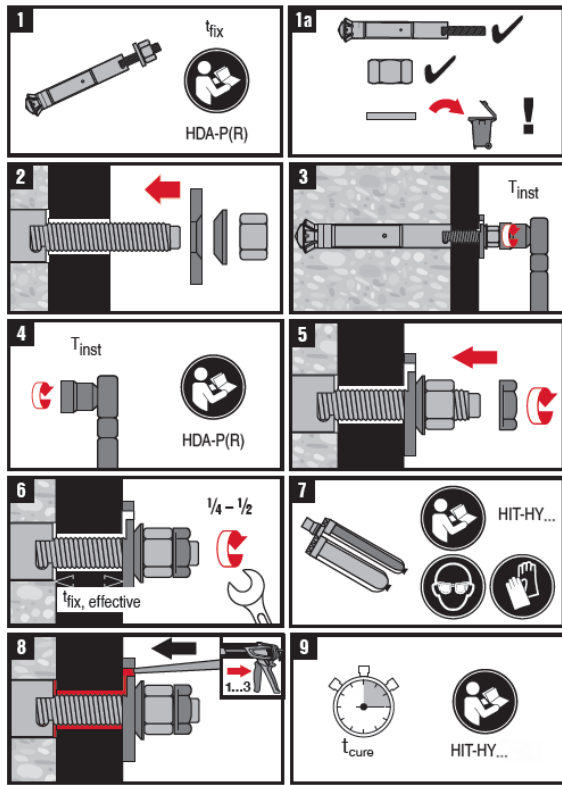
Self-cutting undercut anchor HDA

Intended use
 Installation instructions

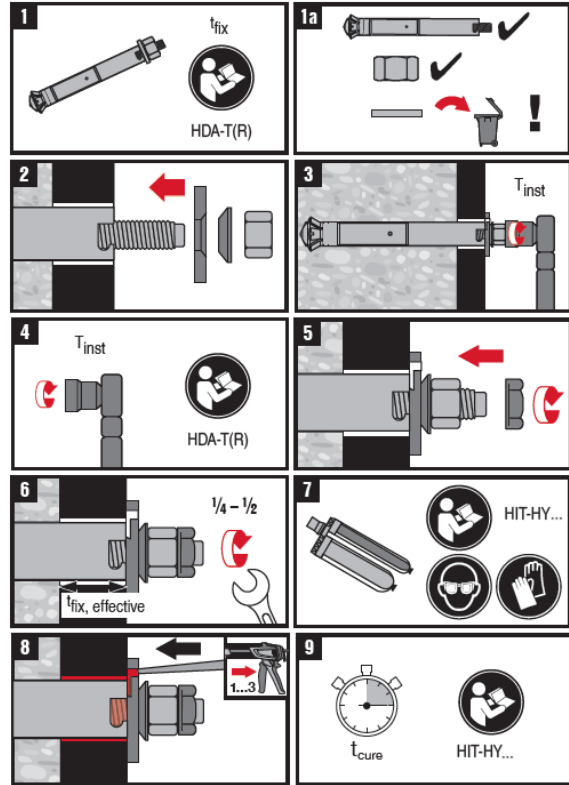
Annex B8

Installation with Filling Set

HDA-P(R)



HDA-T(R)



Self-cutting undercut anchor HDA

Intended use
 Installation instructions

Annex B9

Table C1: Characteristic values of resistance under tension load in case of static and quasi-static loading for HDA-P and HDA-T for working life 50 and 100 years

HDA-P / HDA-T			M10	M12	M16	M20
Effective anchorage depth	h_{ef}	[mm]	100	125	190	250
Steel failure						
Partial safety factor	$\gamma_{Ms,N}^{1)}$	[-]	1,50			
Characteristic resistance	$N_{Rk,s}$	[kN]	46	67	126	192
Pull-out failure						
Characteristic resistance in concrete C20/25						
Installation safety factor	γ_{inst}	[-]	1,00			
Uncracked concrete	$N_{Rk,p,uncl}$	[kN]	46	67	126	192
Cracked concrete	$N_{Rk,p,cr}$	[kN]	39,8	55,6	104,2	157,3
Increasing factor for $N_{Rk,p}$ for cracked and uncracked concrete $\psi_c = (f_{ck}/20)^{0,5}$	ψ_c	C30/37	1,22			
		C40/50	1,41			
		C50/60	1,58			
Concrete cone and splitting failure						
Installation safety factor	γ_{inst}	[-]	1,00			
Factor	$k_1 = k_{ucr,N}$	[-]	12,7			
		$k_1 = k_{cr,N}$	[-]	8,9		
Spacing	$s_{cr,N}$	[mm]	$3 \cdot h_{ef}$			
Edge distance	$c_{cr,N}$	[mm]	$1,5 \cdot h_{ef}$			
Characteristic resistance in splitting	$N^0_{Rk,sp}$	[kN]	Min ($N_{Rk,p}$; $N^0_{Rk,c}^{2)}$			
Spacing	$s_{cr,sp}$	[mm]	$3 \cdot h_{ef}$			
Edge distance	$c_{cr,sp}$	[mm]	$1,5 \cdot h_{ef}$			

1) In absence of other national regulations.

2) $N^0_{Rk,c}$ according to EN 1992-4:2018

Self-cutting undercut anchor HDA

Performances

Characteristic resistance under tension load for working life 50 and 100 years

Annex C1

Table C2: Characteristic values of resistance under tension load in case of static and quasi-static loading for HDA-PR and HDA-TR for working life 50 and 100 years

HDA-PR / HDA-TR			M10	M12	M16
Effective anchorage depth	h_{ef}	[mm]	100	125	190
Steel failure					
Partial safety factor	$\gamma_{Ms,N}^{1)}$	[-]	1,60		
Characteristic resistance	$N_{Rk,s}$	[kN]	46	67	126
Pull-out failure					
Installation safety factor	γ_{inst}	[-]	1,00		
Uncracked concrete	$N_{Rk,p,uncr}$	[kN]	46	67	126
Cracked concrete	$N_{Rk,p,cr}$	[kN]	39,8	55,6	104,2
Increasing factor for $N_{Rk,p}$ for cracked and uncracked concrete $\psi_c = (f_{ck}/20)^{0,5}$	ψ_c	C30/37	1,22		
		C40/50	1,41		
		C50/60	1,58		
Concrete cone and splitting failure					
Installation safety factor	γ_{inst}	[-]	1,00		
Factor	$k_1 = k_{ucr,N}$	[-]	12,7		
		$k_1 = k_{cr,N}$	[-]	8,9	
Spacing	$s_{cr,N}$	[mm]	$3 \cdot h_{ef}$		
Edge distance	$c_{cr,N}$	[mm]	$1,5 \cdot h_{ef}$		
Characteristic resistance in splitting	$N^0_{Rk,sp}$	[kN]	Min ($N_{Rk,p}$; $N^0_{Rk,c}{}^2)$		
Spacing	$s_{cr,sp}$	[mm]	$3 \cdot h_{ef}$		
Edge distance	$c_{cr,sp}$	[mm]	$1,5 \cdot h_{ef}$		

¹⁾ In absence of other national regulations.

²⁾ $N^0_{Rk,c}$ according to EN 1992-4:2018

Self-cutting undercut anchor HDA	Annex C2
Performances Characteristic resistance under tension load for working life 50 and 100 years	

Table C3: Characteristic values of resistance under shear load in case of static and quasi-static loading for HDA-P and HDA-T for working life 50 and 100 years

HDA-P			M10	M12	M16	M20									
Effective anchorage depth	h_{ef}	[mm]	100	125	190	250									
Steel failure without lever arm															
Partial safety factor	$\gamma_{Ms,V}^{1)}$	[-]	1,25												
Ductility factor	k_7	[-]	1,00												
Characteristic resistance	$V^0_{Rk,s}$	[kN]	26,4	37,7	67,8	104,0									
Characteristic resistance using Filling Set	$V^0_{Rk,s}$	[kN]	29,2	42,2	71,7	111,0									
Steel failure with lever arm															
Partial safety factor	$\gamma_{Ms,V}^{1)}$	[-]	1,25												
Ductility factor	k_7	[-]	1,00												
Characteristic resistance	$M^0_{Rk,s}$	[Nm]	60	105	266	519									
HDA-T			M10	M12	M16	M20									
Effective anchorage depth	h_{ef}	[mm]	100	125	190	250									
Steel failure without lever arm															
Partial safety factor	$\gamma_{Ms,V}^{1)}$	[-]	1,50												
Ductility factor	k_7	[-]	1,00												
Characteristic resistance	for t_{fix}	[mm]	10 ≤	15 ≤	10 ≤	15 ≤	20 ≤	15 ≤	25 ≤	30 ≤	35 ≤	20 ≤	25 ≤	40 ≤	55 ≤
		[kN]	< 15	≤ 20	< 15	< 20	≤ 50	< 25	< 30	< 35	≤ 60	< 25	< 40	< 55	≤ 100
Characteristic resistance using Filling Set	for t_{fix}	[mm]	10 ≤	15 ≤	10 ≤	15 ≤	20 ≤	15 ≤	25 ≤	30 ≤	35 ≤	20 ≤	25 ≤	40 ≤	55 ≤
		[kN]	< 15	≤ 20	< 15	< 20	≤ 50	< 25	< 30	< 35	≤ 60	< 25	< 40	< 55	≤ 100
$V^0_{Rk,s}$	[kN]	60,8	70	77,6	80	100	141,1	155	170	190	182,7	205	235	250	
Steel failure with lever arm															
Partial safety factor	$\gamma_{Ms,V}^{1)}$	[-]	1,25												
Ductility factor	k_7	[-]	1,00												
Characteristic resistance	$M^0_{Rk,s}$	[Nm]	60	105	266	519									

¹⁾ In absence of other national regulations

Self-cutting undercut anchor HDA

Performances

Characteristic resistance under shear load for working life 50 and 100 years

Annex C3

Table C3: Continued

HDA-P / HDA-T		M10	M12	M16	M20
Effective anchorage depth	h_{ef} [mm]	100	125	190	250
Concrete pry out failure					
Pry-out factor	k_8 [-]	2,0			
Installation safety factor	γ_{inst} [-]	1,00			
Concrete edge failure					
Effective length of anchor	$l_f = h_{ef}$ [mm]	100	125	190	250
Diameter of anchor	d_{nom} [mm]	19	21	29	35
Installation safety factor	γ_{inst} [-]	1,00			

Self-cutting undercut anchor HDA

Annex C4

Performances

Characteristic resistance under shear load for working life 50 and 100 years

Table C4: Characteristic values of resistance under shear load in case of static and quasi-static loading for HDA-PR and HDA-TR for working life 50 and 100 years

HDA-PR		M10	M12	M16	
Effective anchorage depth	h_{ef} [mm]	100	125	190	
Steel failure without lever arm					
Partial safety factor	$\gamma_{Ms,V}^{1)}$ [-]	1,33			
Ductility factor	k_7 [-]	1,00			
Characteristic resistance	$V_{Rk,s}^0$ [kN]	25,2	38,0	76,1	
Characteristic resistance using Filling Set	$V_{Rk,s}^0$ [kN]	30,1	45,2	84,8	
Steel failure with lever arm					
Partial safety factor	$\gamma_{Ms,V}^{1)}$ [-]	1,33			
Ductility factor	k_7 [-]	1,00			
Characteristic resistance	$M_{Rk,s}^0$ [Nm]	60	105	266	
HDA-TR		M10	M12	M16	
Effective anchorage depth	h_{ef} [mm]	100	125	190	
Steel failure without lever arm					
Partial safety factor	$\gamma_{Ms,V}^{1)}$ [-]	1,33			
Ductility factor	k_7 [-]	1,00			
Characteristic resistance	for t_{fix} [mm]	$10 \leq \leq 20$	$10 \leq < 30$	$30 \leq \leq 50$	$15 \leq \leq 60$
	$V_{Rk,s}^0$ [kN]	77,3	97,3	109	171,1
Characteristic resistance using Filling Set	for t_{fix} [mm]	$10 \leq \leq 20$	$10 \leq < 30$	$30 \leq \leq 50$	$15 \leq \leq 60$
	$V_{Rk,s}^0$ [kN]	77,3	97,3	109	171,1
Steel failure with lever arm					
Partial safety factor	$\gamma_{Ms,V}^{1)}$ [-]	1,33			
Ductility factor	k_7 [-]	1,00			
Characteristic resistance	$M_{Rk,s}^0$ [Nm]	60	105	266	

¹⁾ In absence of other national regulations

Self-cutting undercut anchor HDA

Performances

Characteristic resistance under shear load for working life 50 and 100 years

Annex C5

Table C4: Continued

HDA-PR / HDA-TR			M10	M12	M16
Effective anchorage depth	h_{ef}	[mm]	100	125	190
Concrete pry out failure					
Pry-out factor	k_8	[-]	2,0		
Installation safety factor	γ_{inst}	[-]	1,00		
Concrete edge failure					
Effective length of anchor	$l_f = h_{ef}$	[mm]	100	125	190
Diameter of anchor	d_{nom}	[mm]	19	21	29
Installation safety factor	γ_{inst}	[-]	1,00		

Self-cutting undercut anchor HDA

Performances

Characteristic resistance under shear load for working life 50 and 100 years

Annex C6

Table C5: Displacements under tension load in case of static and quasi-static loading HDA-P and HDA-T for working life 50 and 100 years

HDA-P / HDA-T			M10	M12	M16	M20
Effective anchorage depth	h_{ef}	[mm]	100	125	190	250
Tension load in uncracked concrete	N	[kN]	21,9	31,9	60,0	91,4
Corresponding displacement	δ_{N0}	[mm]	0,4	0,8	1,7	2,4
	$\delta_{N\infty}$	[mm]	1,3	1,4	1,7	2,4
Tension load in cracked concrete	N	[kN]	19,0	26,5	49,6	74,9
Corresponding displacement	δ_{N0}	[mm]	0,2	1,3	2,9	3,5
	$\delta_{N\infty}$	[mm]	1,3	1,4	2,9	3,5

Table C6: Displacements under tension load in case of static and quasi-static loading HDA-PR and HDA-TR for working life 50 and 100 years

HDA-PR / HDA-TR			M10	M12	M16
Effective anchorage depth	h_{ef}	[mm]	100	125	190
Tension load in uncracked concrete	N	[kN]	21,9	31,9	60,0
Corresponding displacement	δ_{N0}	[mm]	0,4	0,8	1,7
	$\delta_{N\infty}$	[mm]	1,3	1,4	1,7
Tension load in cracked concrete	N	[kN]	19,0	26,5	49,6
Corresponding displacement	δ_{N0}	[mm]	1,3	1,4	2,2
	$\delta_{N\infty}$	[mm]	1,3	1,4	2,2

Self-cutting undercut anchor HDA

Performances
 Displacements for working life 50 and 100 years

Annex C7

Table C7: Displacements under shear loads in case of static and quasi-static loading HDA-P and HDA-T for working life 50 and 100 years

HDA-P			M10	M12	M16	M20
Effective anchorage depth	h_{ef}	[mm]	100	125	190	250
Shear load in cracked and uncracked concrete	V	[kN]	12,6	18,0	32,3	49,5
Corresponding displacement	δ_{v0}	[mm]	4,4	4,9	2,7	3,6
	$\delta_{v\infty}$	[mm]	6,6	7,4	4,1	5,4
Shear load in cracked and uncracked concrete using Filling Set	V	[kN]	13,9	20,1	34,1	52,9
Corresponding displacement	δ_{v0}	[mm]	1,7	0,8	1,2	1,8
	$\delta_{v\infty}$	[mm]	2,5	1,2	1,9	2,7
HDA-T			M10	M12	M16	M20
Effective anchorage depth	h_{ef}	[mm]	100	125	190	250
Shear load in cracked and uncracked concrete	V	[kN]	29,0	37,0	67,2	87,0
Corresponding displacement	δ_{v0}	[mm]	6,2	6,1	5,0	8,9
	$\delta_{v\infty}$	[mm]	9,3	9,1	7,6	13,4
Shear load in cracked and uncracked concrete using Filling Set	V	[kN]	29,0	37,0	67,2	87,0
Corresponding displacement	δ_{v0}	[mm]	6,2	6,1	5,0	8,9
	$\delta_{v\infty}$	[mm]	9,3	9,1	7,6	13,4

Self-cutting undercut anchor HDA

Annex C8

Performances

Displacements for working life 50 and 100 years

Table C8: Displacements under shear loads in case of static and quasi-static loading HDA-PR and HDA-TR for working life 50 and 100 years

HDA-PR			M10	M12	M16
Effective anchorage depth	h_{ef}	[mm]	100	125	190
Shear load in cracked and uncracked concrete	V	[kN]	12,0	18,1	36,2
Corresponding displacement	δ_{v0}	[mm]	3,9	7,5	4,9
	$\delta_{v\infty}$	[mm]	5,9	11,2	7,3
Shear load in cracked and uncracked concrete using Filling Set	V	[kN]	14,3	21,5	40,4
Corresponding displacement	δ_{v0}	[mm]	3,9	7,5	4,9
	$\delta_{v\infty}$	[mm]	5,9	11,2	7,3
HDA-TR			M10	M12	M16
Effective anchorage depth	h_{ef}	[mm]	100	125	190
Shear load in cracked and uncracked concrete	V	[kN]	36,8	46,3	81,5
Corresponding displacement	δ_{v0}	[mm]	6,5	6,5	8,4
	$\delta_{v\infty}$	[mm]	9,8	9,8	12,6
Shear load in cracked and uncracked concrete using Filling Set	V	[kN]	36,8	46,3	81,5
Corresponding displacement	δ_{v0}	[mm]	6,5	6,5	8,4
	$\delta_{v\infty}$	[mm]	9,8	9,8	12,6

Self-cutting undercut anchor HDA

Annex C9

Performances

Displacements for working life 50 and 100 years

Table C9: Characteristic values of resistance under tension load in case of seismic category C1 for HDA-P and HDA-T for working life 50 and 100 years

HDA-P / HDA-T			M10	M12	M16	M20
Effective anchorage depth	h_{ef}	[mm]	100	125	190	250
Steel failure						
Partial safety factor	$\gamma_{Ms,C1}^{1)}$	[-]	1,5			
Characteristic resistance	$N_{Rk,s,seis}$	[kN]	46	67	126	192
Pull-out failure						
Installation safety factor	γ_{inst}	[-]	1,0			
Characteristic resistance	$N_{Rk,p,C1}$	[kN]	39,8	55,6	104,2	157,3
Concrete cone failure ²⁾						
Installation safety factor	γ_{inst}	[-]	1,0			
Factor	$k_1=k_{Cr,N}$	[-]	8,9			
Splitting failure ²⁾						
Installation safety factor	γ_{inst}	[-]	1,0			

¹⁾ In absence of other national regulations.

²⁾ For concrete cone failure and splitting failure see EN 1992-4:2018

Table C10: Characteristic values of resistance under tension load in case of seismic category C1 for HDA-PR and HDA-TR for working life 50 and 100 years

HDA-PR / HDA-TR			M10	M12	M16
Effective anchorage depth	h_{ef}	[mm]	100	125	190
Steel failure					
Partial safety factor	$\gamma_{Ms,C1}^{1)}$	[-]	1,6		
Characteristic resistance	$N_{Rk,s,C1}$	[kN]	46	67	126
Pull-out failure					
Installation safety factor	γ_{inst}	[-]	1,0		
Characteristic resistance	$N_{Rk,p,C1}$	[kN]	39,8	55,6	104,2
Concrete cone failure ²⁾					
Installation safety factor	γ_{inst}	[-]	1,0		
Factor	$k_1=k_{Cr,N}$	[-]	8,9		
Splitting failure ²⁾					
Installation safety factor	γ_{inst}	[-]	1,0		

¹⁾ In absence of other national regulations.

²⁾ For concrete cone failure and splitting failure see EN 1992-4:2018

Self-cutting undercut anchor HDA

Performances

Characteristic resistance under seismic actions, seismic category C1 for working life 50 and 100 years

Annex C10

Table C11: Characteristic values of resistance under shear load in case of seismic category C1 for HDA-P and HDA-T for working life 50 and 100 years

HDA-P		M10	M12	M16	M20														
Effective anchorage depth	h_{ef} [mm]	100	125	190	250														
Steel failure																			
Reduction factor according to EN 1992-4:2018 without gap filling	α_{gap} [-]	0,5																	
Reduction factor according to EN 1992-4:2018 using Filling Set	α_{gap} [-]	1,0																	
Characteristic resistance	$V_{Rk,s,C1}$ [kN]	26,4	37,7	67,8	104,0														
Characteristic resistance using Filling Set	$V_{Rk,s,C1}$ [kN]	29,2	42,2	71,7	111,0														
Partial safety factor	$\gamma_{Ms,C1}^{1)}$ [-]	1,25																	
HDA-T		M10	M12	M16	M20														
Effective anchorage depth	h_{ef} [mm]	100	125	190	250														
Steel failure																			
Reduction factor according to EN 1992-4:2018 without gap filling	α_{gap} [-]	0,5																	
Reduction factor according to EN 1992-4:2018 using Filling Set	α_{gap} [-]	1,0																	
Characteristic resistance	for t_{fix} [mm]	10 ≤ < 15	15 ≤ < 20	20 ≤ < 25	25 ≤ < 30	30 ≤ < 35	35 ≤ < 40	40 ≤ < 45	45 ≤ < 50	50 ≤ < 55	55 ≤ < 60	60 ≤ < 65	65 ≤ < 70	70 ≤ < 75	75 ≤ < 80	80 ≤ < 85	85 ≤ < 90	90 ≤ < 95	95 ≤ < 100
	$V_{Rk,s,C1}$ [kN]	60,8	70	77,6	80	100	141,1	155	170	190	182,7	205	235	250					
Characteristic resistance using Filling Set	for t_{fix} [mm]	10 ≤ < 15	15 ≤ < 20	20 ≤ < 25	25 ≤ < 30	30 ≤ < 35	35 ≤ < 40	40 ≤ < 45	45 ≤ < 50	50 ≤ < 55	55 ≤ < 60	60 ≤ < 65	65 ≤ < 70	70 ≤ < 75	75 ≤ < 80	80 ≤ < 85	85 ≤ < 90	90 ≤ < 95	95 ≤ < 100
	$V_{Rk,s,C1}$ [kN]	60,8	70	77,6	80	100	141,1	155	170	190	182,7	205	235	250					
Partial safety factor	$\gamma_{Ms,C1}^{1)}$	1,5																	
HDA-P / HDA-T		M10	M12	M16	M20														
Concrete pry out failure ²⁾																			
Installation safety factor	γ_{inst} [-]	1,0																	
Concrete edge failure ²⁾																			
Installation safety factor	γ_{inst} [-]	1,0																	

¹⁾ In absence of other national regulations.

²⁾ For concrete pry-out failure and concrete edge failure see EN 1992-4:2018.

Self-cutting undercut anchor HDA

Performances

Characteristic resistance under seismic actions, seismic category C1 for working life 50 and 100 years

Annex C11

Table C12: Characteristic values of resistance under shear loads in case of seismic category C1 for HDA-PR and HDA-TR for working life 50 and 100 years

HDA-PR		M10	M12	M16	
Effective anchorage depth h_{ef}	[mm]	100	125	190	
Steel failure					
Reduction factor according to EN 1992-4:2018 without gap filling	α_{gap} [-]	0,5			
Reduction factor according to EN 1992-4:2018 using Filling Set	α_{gap} [-]	1,0			
Characteristic resistance	$V_{Rk,s,C1}$ [kN]	25,2	38,0	76,1	
Characteristic resistance using Filling Set	$V_{Rk,s,C1}$ [kN]	30,1	45,2	84,8	
Partial safety factor	$\gamma_{Ms,C1}^{1)}$ [-]	1,33			
HDA-TR		M10	M12	M16	
Effective anchorage depth h_{ef}	[mm]	100	125	190	
Steel failure					
Reduction factor according to EN 1992-4:2018 without gap filling	α_{gap} [-]	0,5			
Reduction factor according to EN 1992-4:2018 using Filling Set	α_{gap} [-]	1,0			
Characteristic resistance	for t_{fix} [mm]	$10 \leq \leq 20$	$10 \leq < 30$	$30 \leq \leq 50$	$15 \leq \leq 60$
	$V_{Rk,s,C1}$ [kN]	77,3	97,3	109	171,1
Characteristic resistance using Filling Set	for t_{fix} [mm]	$10 \leq \leq 20$	$10 \leq < 30$	$30 \leq \leq 50$	$15 \leq \leq 60$
	$V_{Rk,s,C1}$ [kN]	77,3	97,3	109	171,1
Partial safety factor	$\gamma_{Ms,C1}^{1)}$ [-]	1,33			
HDA-PR / HDA-TR		M10	M12	M16	
Concrete pry out failure ²⁾					
Installation safety factor	γ_{inst} [-]	1,0			
Concrete edge failure ²⁾					
Installation safety factor	γ_{inst} [-]	1,0			

¹⁾ In absence of other national regulations.

²⁾ For concrete pry-out failure and concrete edge failure see EN 1992-4:2018

Self-cutting undercut anchor HDA

Annex C12

Performances

Characteristic resistance under seismic actions, seismic category C1 for working life 50 and 100 years

Table C13: Characteristic values of resistance under tension load in case of seismic category C2 for HDA-P and HDA-T for working life 50 and 100 years

HDA-P / HDA-T			M10	M12	M16	M20
Effective anchorage depth	h_{ef}	[mm]	100	125	190	250
Steel failure						
Characteristic resistance	$N_{Rk,s,C2}$	[kN]	46	67	126	192
Partial safety factor	$\gamma_{Ms,C2}^{1)}$	[-]	1,5			
Pull-out failure						
Characteristic resistance	$N_{Rk,p,C2}$	[kN]	39,8	55,6	104,2	157,3
Installation safety factor	γ_{inst}	[-]	1,0			
Concrete cone failure ²⁾						
Installation safety factor	γ_{inst}	[-]	1,0			
Factor	$k_1=k_{cr,N}$	[-]	8,9			
Splitting failure ²⁾						
Installation safety factor	γ_{inst}	[-]	1,0			

¹⁾ In absence of other national regulations.

²⁾ For concrete cone failure and splitting failure see EN 1992-4:2018.

Table C14: Displacements under tension load in case of seismic category C2, HDA-P and HDA-T for working life 50 and 100 years

HDA-P / HDA-T			M10	M12	M16	M20
Effective anchorage depth	h_{ef}	[mm]	100	125	190	250
Displacement DLS	$\delta_{N,C2(DLS)}$	[mm]	4,6	3,2	3,3	1,7
Displacement ULS	$\delta_{N,C2(ULS)}$	[mm]	11,4	8,3	8,1	6,7

Self-cutting undercut anchor HDA

Annex C13

Performances

Characteristic resistance and displacements under seismic actions, seismic category C2 for working life 50 and 100 years

Table C15: Characteristic values of resistance under tension load in case of seismic category C2 for HDA-PR and HDA-TR for working life 50 and 100 years

HDA-PR / HDA-TR			M10	M12	M16
Effective anchorage depth	h_{ef}	[mm]	100	125	190
Steel failure					
Characteristic resistance	$N_{Rk,s,C2}$	[kN]	46	67	126
Partial safety factor	$\gamma_{Ms,C2}^{1)}$	[-]	1,6		
Pull-out failure					
Characteristic resistance	$N_{Rk,p,C2}$	[kN]	39,8	55,6	104,2
Installation safety factor	γ_{inst}	[-]	1,0		
Concrete cone failure ²⁾					
Installation safety factor	γ_{inst}	[-]	1,0		
Factor	$k_1=k_{cr,N}$	[-]	8,9		
Splitting failure ²⁾					
Installation safety factor	γ_{inst}	[-]	1,0		

¹⁾ In absence of other national regulations.

²⁾ For concrete cone failure and splitting failure see EN 1992-4:2018.

Table C16: Displacements under tension load in case of seismic category C2 for HDA-PR and HDA-TR for working life 50 and 100 years

HDA-PR / HDA-TR			M10	M12	M16
Effective anchorage depth	h_{ef}	[mm]	100	125	190
Displacement DLS	$\delta_{N,C2 (DLS)}$	[mm]	4,6	3,2	3,3
Displacement ULS	$\delta_{N,C2 (ULS)}$	[mm]	11,4	8,3	8,1

Self-cutting undercut anchor HDA

Performances

Characteristic resistance and displacements under seismic actions, seismic category C2 for working life 50 and 100 years

Annex C14

Table C17: Characteristic values of resistance under shear load in case of seismic category C2 for HDA-P and HDA-T for working life 50 and 100 years

HDA-P		M10	M12	M16	M20									
Effective anchorage depth	h_{ef} [mm]	100	125	190	250									
Steel failure														
Reduction factor according to EN 1992-4:2018 without gap filling	α_{gap} [-]	0,5												
Reduction factor according to EN 1992-4:2018 using Filling Set	α_{gap} [-]	1,0												
Characteristic resistance	$V_{Rk,s,C2}$ [kN]	23,8	27,8	56,0	83,0									
Characteristic resistance using Filling Set	$V_{Rk,s,C2}$ [kN]	23,8	33,7	61,6	92,6									
Partial safety factor	$\gamma_{Ms,C2}^{1)}$ [-]	1,25												
HDA-T		M10	M12	M16	M20									
Effective anchorage depth	h_{ef} [mm]	100	125	190	250									
Steel failure														
Reduction factor according to EN 1992-4:2018 without gap filling	α_{gap} [-]	0,5												
Reduction factor according to EN 1992-4:2018 using Filling Set	α_{gap} [-]	1,0												
Characteristic resistance	for t_{fix} [mm]	10 ≤	15 ≤	10 ≤	15 ≤	20 ≤	15 ≤	25 ≤	30 ≤	35 ≤	20 ≤	25 ≤	40 ≤	55 ≤
	$V_{Rk,s,C2}$ [kN]	< 15	≤ 20	< 15	< 20	≤ 50	< 25	< 30	< 35	≤ 60	< 25	< 40	< 55	≤ 100
Characteristic resistance using Filling Set	for t_{fix} [mm]	10 ≤	15 ≤	10 ≤	15 ≤	20 ≤	15 ≤	25 ≤	30 ≤	35 ≤	20 ≤	25 ≤	40 ≤	55 ≤
	$V_{Rk,s,C2}$ [kN]	< 15	≤ 20	< 15	< 20	≤ 50	< 25	< 30	< 35	≤ 60	< 25	< 40	< 55	≤ 100
Partial safety factor	$\gamma_{Ms,C2}^{1)}$	1,5												
HDA-P / HDA-T		M10	M12	M16	M20									
Concrete pry out failure ²⁾														
Installation safety factor	γ_{inst} [-]	1,0												
Concrete edge failure ²⁾														
Installation safety factor	γ_{inst} [-]	1,0												

¹⁾ In absence of other national regulations.

²⁾ For concrete pry-out failure and concrete edge failure see EN 1992-4:2018.

Self-cutting undercut anchor HDA

Performances

Characteristic resistance and displacements under seismic actions, seismic category C2 for working life 50 and 100 years

Annex C15

Table C18: Displacements under shear load in case of seismic category C2 for HDA-P and HDA-T for working life 50 and 100 years

HDA-P / HDA-T			M10	M12	M16	M20
Effective anchorage depth	h_{ef}	[mm]	100	125	190	250
Displacement DLS HDA-P	$\delta_{v,C2(DLS)}$	[mm]	1,8	2,0	3,0	3,4
Displacement DLS HDA-P using Filling Set	$\delta_{v,C2(DLS)}$	[mm]	1,8	2,0	3,0	3,4
Displacement ULS HDA-P	$\delta_{v,C2(ULS)}$	[mm]	3,7	4,2	6,5	7,9
Displacement ULS HDA-P using Filling Set	$\delta_{v,C2(ULS)}$	[mm]	3,7	4,2	6,5	7,9
Displacement DLS HDA-T	$\delta_{v,C2(DLS)}$	[mm]	2,0	2,3	3,1	3,8
Displacement DLS HDA-T using Filling Set	$\delta_{v,C2(DLS)}$	[mm]	2,0	2,3	3,1	3,8
Displacement ULS HDA-T	$\delta_{v,C2(ULS)}$	[mm]	4,4	6,0	9,8	16,3
Displacement ULS HDA-T using Filling Set	$\delta_{v,C2(ULS)}$	[mm]	4,4	6,0	9,8	16,3

Self-cutting undercut anchor HDA

Performances

Characteristic resistance and displacements under seismic actions, seismic category C2 for working life 50 and 100 years

Annex C16

Table C19: Characteristic values of resistance under shear load in case of seismic category C2, HDA-PR and HDA-TR for working life 50 and 100 years

HDA-PR			M10	M12	M16				
Effective anchorage depth	h_{ef}	[mm]	100	125	190				
Steel failure									
Reduction factor according to EN 1992-4:2018 without gap filling	α_{gap}	[-]	0,5						
Reduction factor according to EN 1992-4:2018 using Filling Set	α_{gap}	[-]	1,0						
Characteristic resistance	$V_{Rk,s,C2}$	[kN]	23,2	28,9	57,0				
Characteristic resistance using Filling Set	$V_{Rk,s,C2}$	[kN]	23,2	36,1	72,8				
Partial safety factor	$\gamma_{Ms,C2}^{1)}$	[-]	1,33						
HDA-TR			M10	M12	M16				
Effective anchorage depth	h_{ef}	[mm]	100	125	190				
Steel failure									
Reduction factor according to EN 1992-4:2018 without gap filling	α_{gap}	[-]	0,5						
Reduction factor according to EN 1992-4:2018 using Filling Set	α_{gap}	[-]	1,0						
Characteristic resistance	for t_{fix}	[mm]	$10 \leq$	$10 \leq$	$20 \leq$	$30 \leq$	$15 \leq$	$25 \leq$	$35 \leq$
			≤ 20	< 20	< 30	≤ 50	< 25	< 35	≤ 60
Characteristic resistance using Filling Set	for t_{fix}	[mm]	$10 \leq$	$10 \leq$	$20 \leq$	$30 \leq$	$15 \leq$	$25 \leq$	$35 \leq$
			≤ 20	< 20	< 30	≤ 50	< 25	< 35	≤ 60
	$V_{Rk,s,C2}$	[kN]	43,0	61,0	66,0	76,0	91,0	95,0	102,0
Partial safety factor	$\gamma_{Ms,C2}^{1)}$	[-]	1,33						
HDA-PR / HDA-TR			M10	M12	M16				
Concrete pry out failure ²⁾									
Installation safety factor	γ_{inst}	[-]	1,0						
Concrete edge failure ²⁾									
Installation safety factor	γ_{inst}	[-]	1,0						

¹⁾ In absence of other national regulations.

²⁾ For concrete pry-out failure and concrete edge failure see EN 1992-4:2018

Self-cutting undercut anchor HDA

Performances

Characteristic resistance and displacements under seismic actions, seismic category C2 for working life 50 and 100 years

Annex C17

Table C20: Displacements under shear loads in case of seismic category C2 for HDA-PR and HDA-TR for working life 50 and 100 years

HDA-PR / HDA-TR			M10	M12	M16
Effective anchorage depth	h_{ef}	[mm]	100	125	190
Displacement DLS HDA-PR	$\delta_{v,C2(DLS)}$	[mm]	1,8	2,0	3,0
Displacement DLS HDA-PR using Filling Set	$\delta_{v,C2(DLS)}$	[mm]	1,8	2,0	3,0
Displacement ULS HDA-PR	$\delta_{v,C2(ULS)}$	[mm]	3,7	4,2	6,5
Displacement ULS HDA-PR using Filling Set	$\delta_{v,C2(DLS)}$	[mm]	3,7	4,2	6,5
Displacement DLS HDA-TR	$\delta_{v,C2(DLS)}$	[mm]	2,0	2,3	3,1
Displacement DLS HDA-TR using Filling Set	$\delta_{v,C2(DLS)}$	[mm]	2,0	2,3	3,1
Displacement ULS HDA-TR	$\delta_{v,C2(ULS)}$	[mm]	4,4	6,0	9,8
Displacement ULS HDA-TR using Filling Set	$\delta_{v,C2(ULS)}$	[mm]	4,4	6,0	9,8

Self-cutting undercut anchor HDA

Performances

Characteristic resistance and displacements under seismic actions, seismic category C2 for working life 50 and 100 years

Annex C18

Table C21: Characteristic tension resistance under fire exposure in cracked concrete for HDA-P and HDA-T for working life 50 and 100 years

HDA-P / HDA-T				M10	M12	M16	M20
Effective anchorage depth	h_{ef}	[mm]		100	125	190	250
Steel failure							
Characteristic resistance	R30	$N_{Rk,s,fi}$	[kN]	0,87	1,69	3,14	4,81
	R60	$N_{Rk,s,fi}$	[kN]	0,75	1,26	2,36	3,61
	R90	$N_{Rk,s,fi}$	[kN]	0,58	1,10	2,04	3,13
	R120	$N_{Rk,s,fi}$	[kN]	0,46	0,84	1,57	2,41
Pull-out failure							
Characteristic resistance $\geq C20/25$	R30	$N_{Rk,p,fi}$	[kN]	10,5	16,3	30,0	45,0
	R60	$N_{Rk,p,fi}$	[kN]				
	R90	$N_{Rk,p,fi}$	[kN]	8,4	13,0	24,0	36,0
	R120	$N_{Rk,p,fi}$	[kN]				
Concrete cone failure							
Characteristic resistance $\geq C20/25$	R30	$N_{Rk,c,fi}$	[kN]	$h_{ef} / 200 \cdot N^0_{Rk,c} \leq N^0_{Rk,c}$			
	R60	$N_{Rk,c,fi}$	[kN]				
	R90	$N_{Rk,c,fi}$	[kN]				
	R120	$N_{Rk,c,fi}$	[kN]	$0,8 \cdot h_{ef} / 200 \cdot N^0_{Rk,c} \leq N^0_{Rk,c}$			
Factor	$k_1 = k_{cr,N}$	[-]	8,9				
Spacing	$s_{cr,N,fi}$	[mm]	4,0 · h_{ef}				
	s_{min}	[mm]	80	90	120	150	
Edge distance	$c_{cr,N,FI}$	[mm]	2,0 · h_{ef}				
	c_{min}	[mm]	Fire attack from one side: 2,0 · h_{ef} Fire attack from more than one side: ≥ 300 mm				

In absence of other national regulations the partial safety factor for resistance under fire exposure $\gamma_{M,fi} = 1,0$ is recommended

Self-cutting undercut anchor HDA	Annex C19
Performance Characteristic tension resistance under fire exposure for working life 50 and 100 years	

Table C22: Characteristic tension resistance under fire exposure in cracked concrete for HDA-PR and HDA-TR for working life 50 and 100 years

HDA-PR / HDA-TR				M10	M12	M16
Effective anchorage depth	h_{ef}	[mm]		100	125	190
Steel failure						
Characteristic resistance	R30	$N_{Rk,s,fi}$	[kN]	1,45	2,53	4,71
	R60	$N_{Rk,s,fi}$	[kN]	1,16	2,11	3,93
	R90	$N_{Rk,s,fi}$	[kN]	0,93	1,69	3,14
	R120	$N_{Rk,s,fi}$	[kN]	0,81	1,35	2,51
Pull-out failure						
Characteristic resistance $\geq C20/25$	R30	$N_{Rk,p,fi}$	[kN]	10,5	16,3	30,0
	R60	$N_{Rk,p,fi}$	[kN]			
	R90	$N_{Rk,p,fi}$	[kN]			
	R120	$N_{Rk,p,fi}$	[kN]	8,4	13,0	24,0
Concrete cone failure						
Characteristic resistance $\geq C20/25$	R30	$N_{Rk,c,fi}$	[kN]	$h_{ef} / 200 \cdot N^0_{Rk,c} \leq N^0_{Rk,c}$		
	R60	$N_{Rk,c,fi}$	[kN]			
	R90	$N_{Rk,c,fi}$	[kN]			
	R120	$N_{Rk,c,fi}$	[kN]	$0,8 \cdot h_{ef} / 200 \cdot N^0_{Rk,c} \leq N^0_{Rk,c}$		
Factor		$k_1 = k_{cr,N}$	[-]	8,9		
Spacing		$s_{cr,N,fi}$	[mm]	4,0 · h_{ef}		
		s_{min}	[mm]	80	90	120
Edge distance		$c_{cr,N,fi}$	[mm]	2,0 · h_{ef}		
		c_{min}	[mm]	Fire attack from one side: 2,0 · h_{ef} Fire attack from more than one side: ≥ 300 mm		

In absence of other national regulations the partial safety factor for resistance under fire exposure $\gamma_{M,fi} = 1,0$ is recommended

Self-cutting undercut anchor HDA

Annex C20

Performance

Characteristic tension resistance under fire exposure for working life 50 and 100 years

Table C23: Characteristic shear resistance under fire exposure in cracked concrete for HDA-P and HDA-T for working life 50 and 100 years

HDA-P			M10	M12	M16	M20
Effective anchorage depth	h_{ef}	[mm]	100	125	190	250
Steel failure						
Characteristic resistance	R30	$V_{Rk,s,fi}$ [kN]	0,87	1,69	3,14	4,81
	R60	$V_{Rk,s,fi}$ [kN]	0,75	1,26	2,36	3,61
	R90	$V_{Rk,s,fi}$ [kN]	0,58	1,10	2,04	3,13
	R120	$V_{Rk,s,fi}$ [kN]	0,46	0,84	1,57	2,41
Steel failure with lever arm						
Characteristic resistance	R30	$M^0_{Rk,s,fi}$ [Nm]	1,12	2,62	6,66	12,63
	R60	$M^0_{Rk,s,fi}$ [Nm]	0,97	1,97	4,99	9,47
	R90	$M^0_{Rk,s,fi}$ [Nm]	0,75	1,70	4,33	8,21
	R120	$M^0_{Rk,s,fi}$ [Nm]	0,60	1,31	3,33	6,31
HDA-T			M10	M12	M16	M20
Effective anchorage depth	h_{ef}	[mm]	100	125	190	250
Steel failure						
Characteristic resistance		for t_{fix} [mm]	$10 \leq \leq 20$	$10 \leq \leq 50$	$15 \leq \leq 60$	$20 \leq \leq 100$
	R30	$V_{Rk,s,fi}$ [kN]	3,88	6,23	12,12	17,77
	R60	$V_{Rk,s,fi}$ [kN]	3,36	4,67	9,09	13,32
	R90	$V_{Rk,s,fi}$ [kN]	2,59	4,05	7,88	11,55
	R120	$V_{Rk,s,fi}$ [kN]	2,07	3,12	6,06	8,88
Steel failure with lever arm						
Characteristic resistance		for t_{fix} [mm]	$10 \leq \leq 20$	$10 \leq \leq 50$	$15 \leq \leq 60$	$20 \leq \leq 100$
	R30	$M^0_{Rk,s,fi}$ [Nm]	12,31	22,11	58,80	102,88
	R60	$M^0_{Rk,s,fi}$ [Nm]	10,67	16,59	44,10	77,16
	R90	$M^0_{Rk,s,fi}$ [Nm]	8,21	14,37	38,22	66,87
	R120	$M^0_{Rk,s,fi}$ [Nm]	6,57	11,06	29,40	51,44

In absence of other national regulations the partial safety factor for resistance under fire exposure $\gamma_{M,fi} = 1,0$ is recommended

Self-cutting undercut anchor HDA

Performance

Characteristic shear resistance under fire exposure for working life 50 and 100 years

Annex C21

Table C23: Continued

HDA-P / HDA-T			M10	M12	M16	M20
Effective anchorage depth	h_{ef}	[mm]	100	125	190	250
Concrete pryout failure						
Pry-out factor	k_8	[-]	2,0			
Characteristic resistance \geq C20/25	R30	$V_{Rk,cp,fi}$ [kN]	39,8	69,5	198,1	314,7
	R60	$V_{Rk,cp,fi}$ [kN]				
	R90	$V_{Rk,cp,fi}$ [kN]				
	R120	$V_{Rk,cp,fi}$ [kN]				
Concrete edge failure						
The initial value $V^0_{Rk,c,fi}$ of the characteristic resistance in concrete C20/25 to C50/60 under fire exposure may be determined by: $V^0_{Rk,c,fi} = 0,25 \times V^0_{Rk,c}$ (\leq R90) $V^0_{Rk,c,fi} = 0,20 \times V^0_{Rk,c}$ (R120) with $V^0_{Rk,c}$ initial value of the characteristic resistance in cracked concrete C20/25 under normal temperature						

In absence of other national regulations, the partial safety factor for resistance under fire exposure $\gamma_{M,fi} = 1,0$ is recommended

Self-cutting undercut anchor HDA	Annex C22
Performance Characteristic shear resistance under fire exposure for working life 50 and 100 years	

Table C24: Characteristic shear resistance under fire exposure in cracked concrete for HDA-PR and HDA-TR for working life 50 and 100 years

HDA-PR			M10	M12	M16
Effective anchorage depth	h_{ef}	[mm]	100	125	190
Steel failure					
Characteristic resistance	R30	$V_{Rk,s,fi}$ [kN]	1,45	2,53	4,71
	R60	$V_{Rk,s,fi}$ [kN]	1,16	2,11	3,93
	R90	$V_{Rk,s,fi}$ [kN]	0,93	1,69	3,14
	R120	$V_{Rk,s,fi}$ [kN]	0,81	1,35	2,51
Steel failure with lever arm					
Characteristic resistance	R30	$M^0_{Rk,s,fi}$ [Nm]	1,87	3,93	9,99
	R60	$M^0_{Rk,s,fi}$ [Nm]	1,50	3,28	8,32
	R90	$M^0_{Rk,s,fi}$ [Nm]	1,20	2,62	6,66
	R120	$M^0_{Rk,s,fi}$ [Nm]	1,05	2,10	5,33
HDA-TR			M10	M12	M16
Effective anchorage depth	h_{ef}	[mm]	100	125	190
Steel failure					
Characteristic resistance		for t_{fix} [mm]	$10 \leq \leq 20$	$10 \leq \leq 50$	$15 \leq \leq 60$
	R30	$V_{Rk,s,fi}$ [kN]	6,47	9,35	18,18
	R60	$V_{Rk,s,fi}$ [kN]	5,18	7,79	15,15
	R90	$V_{Rk,s,fi}$ [kN]	4,14	6,23	12,12
	R120	$V_{Rk,s,fi}$ [kN]	3,62	4,98	9,69
Steel failure with lever arm					
Characteristic resistance		for t_{fix} [mm]	$10 \leq \leq 20$	$10 \leq \leq 50$	$15 \leq \leq 60$
	R30	$M^0_{Rk,s,fi}$ [Nm]	20,52	33,17	88,20
	R60	$M^0_{Rk,s,fi}$ [Nm]	16,42	27,64	73,50
	R90	$M^0_{Rk,s,fi}$ [Nm]	13,13	22,11	58,80
	R120	$M^0_{Rk,s,fi}$ [Nm]	11,49	17,69	47,04

In absence of other national regulations the partial safety factor for resistance under fire exposure $\gamma_{M,fi} = 1,0$ is recommended

Self-cutting undercut anchor HDA

Performance

Characteristic shear resistance under fire exposure for working life 50 and 100 years

Annex C23

Table C24: Continued

HDA-PR / HDA-TR		M10	M12	M16
Effective anchorage depth	h_{ef} [mm]	100	125	190
Concrete pryout failure				
Pry-out factor	k_8 [-]	2,0		
Characteristic resistance	R30 $V_{Rk,cp,fi}$ [kN]	39,8	69,5	198,1
	R60 $V_{Rk,cp,fi}$ [kN]			
	R90 $V_{Rk,cp,fi}$ [kN]			
	R120 $V_{Rk,cp,fi}$ [kN]			
Concrete edge failure				
The initial value $V_{Rk,c,fi}^0$ of the characteristic resistance in concrete C20/25 to C50/60 under fire exposure may be determined by: $V_{Rk,c,fi}^0 = 0,25 \times V_{Rk,c}^0$ ($\leq R90$) $V_{Rk,c,fi}^0 = 0,20 \times V_{Rk,c}^0$ (R120) with $V_{Rk,c}^0$ initial value of the characteristic resistance in cracked concrete C20/25 under normal temperature				

In absence of other national regulations the partial safety factor for resistance under fire exposure $\gamma_{M,fi} = 1,0$ is recommended

Self-cutting undercut anchor HDA

Performance

Characteristic shear resistance under fire exposure for working life 50 and 100 years

Annex C24

Evaluation Technique Européenne

**ETE-99/0009
du 06/05/2025**

(Version originale en langue française)

Partie Générale

Organisme d'Evaluation Technique (TAB) délivrant l'Evaluation Technique Européenne :
Centre Scientifique et Technique du Bâtiment (CSTB)

Nom commercial:

Hilti HDA-P, HDA-PR, HDA-T, HDA-TR

Famille de produit :

Cheville métallique à verrouillage de forme, en acier galvanisé pour usage dans le béton fissuré et non fissuré : diamètres M10, M12, M16 et M20 et en acier inoxydable pour usage dans le béton fissuré et non fissuré : diamètres M10, M12 et M16.

Fabricant :

Hilti Aktiengesellschaft
Feldkircherstrasse 100
FL-9494 Schaan
Principality of Liechtenstein

Usine de fabrication:

Hilti plants

Cette Evaluation Technique
Européenne contient:

42 pages incluant 39 pages d'annexes qui font partie
intégrante de cette évaluation

Cette Evaluation Technique
Européenne est délivrée selon
la Réglementation (EU)
No 305/2011, sur la base de :

EAD 330232-01-0601-v02

Cette version remplace:

ETA-99/0009 du 06/01/2015

L'évaluation technique européenne est délivrée par l'organisme d'évaluation technique dans sa langue officielle. Les traductions de cette évaluation technique européenne dans d'autres langues doivent correspondre entièrement au document original délivré et doivent être identifiées comme telles. La communication de cette évaluation technique européenne, y compris la transmission par voie électronique, doit être complète. Une reproduction partielle ne peut être effectuée qu'avec le consentement écrit de l'organisme d'évaluation technique émetteur. Toute reproduction partielle doit être identifiée comme telle. Cette évaluation technique européenne peut être retirée par l'organisme d'évaluation technique qui l'a délivrée, en particulier sur information de la Commission conformément à l'article 25, paragraphe 3, du règlement (UE) no 305/2011.

Partie Spécifique

1 Description technique du produit

La cheville HILTI HDA-P et HDA-T de la gamme M10 to M20 est une cheville métallique électrozinguée à verrouillage de forme. La cheville HILTI HDA-PR et HDA-TR de la gamme M10 to M16 est une cheville métallique en acier inoxydable à verrouillage de forme. Ces deux chevilles sont disponibles en version pré-positionnables (HDA-P et HDA-PR) et en version traversante (HDA-T et HDA-TR). Elles sont mises en place dans un trou foré à l'aide d'un foret spécial à profondeur contrôlée et sont expansées à l'aide d'un outil de pose spécifique. La fixation de la pièce à fixer est complétée par le serrage à couple contrôlé de l'écrou.

Voir figures et descriptions du produit en Annexes A.

2 Définition de l'usage prévu

Les performances données en section 3 sont valables si la cheville est utilisée en conformité avec les spécifications et conditions données en Annexes B

Les dispositions prises dans la présente Evaluation Technique Européenne reposent sur l'hypothèse que la durée de vie estimée de la cheville pour l'utilisation prévue est de 50 ans et 100 ans. Les indications relatives à la durée de vie ne peuvent pas être interprétées comme une garantie donnée par le fabricant, mais ne doivent être considérées que comme un moyen pour choisir les chevilles qui conviennent à la durée de vie économiquement raisonnable attendue des ouvrages.

3 Performance du produit

3.1 Résistance mécanique et stabilité (BWR 1)

Caractéristique essentielle	Performance
Résistances caractéristiques en traction sous chargement statique et quasi-statique, déplacements	Voir Annexes C1 à C9
Résistances caractéristiques, performance sismique C1	Voir Annexes C10 à C12
Résistances caractéristiques, performance sismique C2, déplacements	Voir Annexes C13 à C18
Durabilité	Voir Annexe B1

3.2 Sécurité en cas d'incendie (BWR 2)

Caractéristique Essentielle	Performance
Réaction au feu	La cheville satisfait aux exigences de la classe A1
Résistance au feu	Voir Annexes C19 à C24

3.3 Hygiène, santé et environnement (BWR 3)

En ce qui concerne les substances dangereuses contenues dans la présente Evaluation Technique Européen, il peut y avoir des exigences applicables aux produits relevant de son domaine d'emploi (exemple: transposition de la législation européenne et des dispositions législatives, réglementaires et nationales). Afin de respecter les dispositions du Règlement Produits de Construction, ces exigences doivent également être satisfaites lorsque et où elles s'appliquent.

3.4 Sécurité d'utilisation (BWR 4)

Pour les exigences essentielles de Sécurité d'utilisation les mêmes critères que ceux mentionnés dans les exigences essentielles Resistance mécanique et stabilité sont applicables.

3.5 Protection contre le bruit (BWR 5)

Non applicable.

3.6 Economie d'énergie et isolation thermique (BWR 6)

Non applicable.

3.7 Utilisation durable des ressources naturelles (BWR 7)

Pour l'utilisation durable des ressources naturelles aucune performance a été déterminée pour ce produit.

3.8 Aspects généraux relatifs à l'aptitude à l'emploi

La durabilité et l'aptitude à l'usage ne sont assurées que si les spécifications pour l'usage prévu conformément à l'Annexe B1 sont maintenus.

4 Evaluation et vérification de la constance des performances (EVCP)

Conformément à la décision 96/582/EC de la Commission Européenne¹, telle qu'amendée, le système d'évaluation et de vérification de la constance des performances (Voir Annexe V du règlement n° 305/2011 du parlement Européen) donné dans le tableau suivant s'applique.

Produit	Usage prévu	Niveau ou classe	Système
Ancrages métalliques pour le béton	Pour fixer et / ou soutenir les éléments structurels en béton ou les éléments lourds comme l'habillage et les plafonds suspendus	—	1

5 Données techniques nécessaires pour la mise en place d'un système Evaluation et de vérification de la constance des performances (EVCP)

Les données techniques nécessaires à la mise en œuvre du système d'évaluation et de vérification de la constance des performances (EVCP) sont fixées dans le plan de contrôle déposé au Centre Scientifique et Technique du Bâtiment.

Le fabricant doit, sur la base d'un contrat, impliquer un organisme notifié pour les tâches visant la délivrance du certificat de conformité CE dans le domaine des fixations, basé sur ce plan de contrôle.

Délivré à Marne La Vallée on 06/05/2025 by

Loïc Payet

Responsable de Division

¹

Journal officiel des communautés Européennes L 254 du 08.10.1996

Condition installée

Figure A1:

Version prépositionnée HDA-P et HDA-PR (Pré-positionnement)

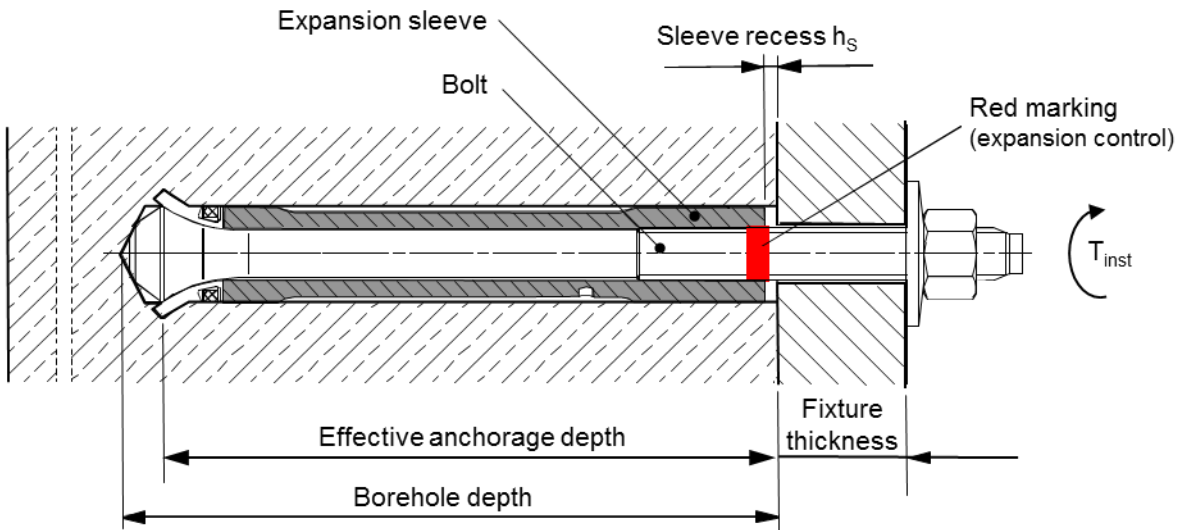
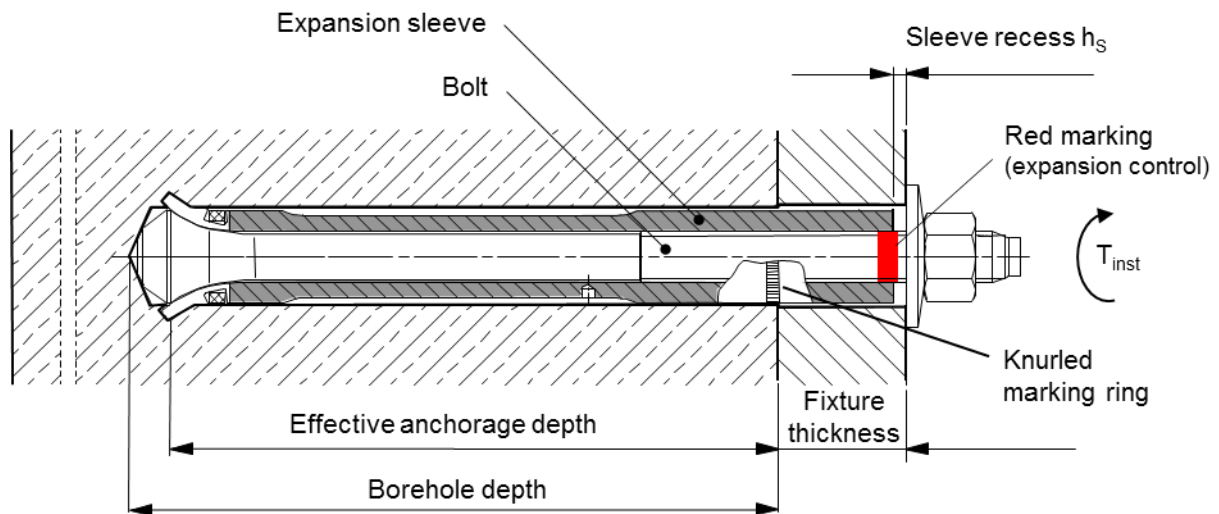


Figure A2:

Version post-positionnée HDA-T et HDA-TR (Post positionnement)



Cheville à verrouillage de forme HDA

Description du produit
Conditions d'installation

Annexe A1

Figure A3:

Version pré-positionnée HDA-P et HDA-PR (Pré-positionnement) avec Filling Set

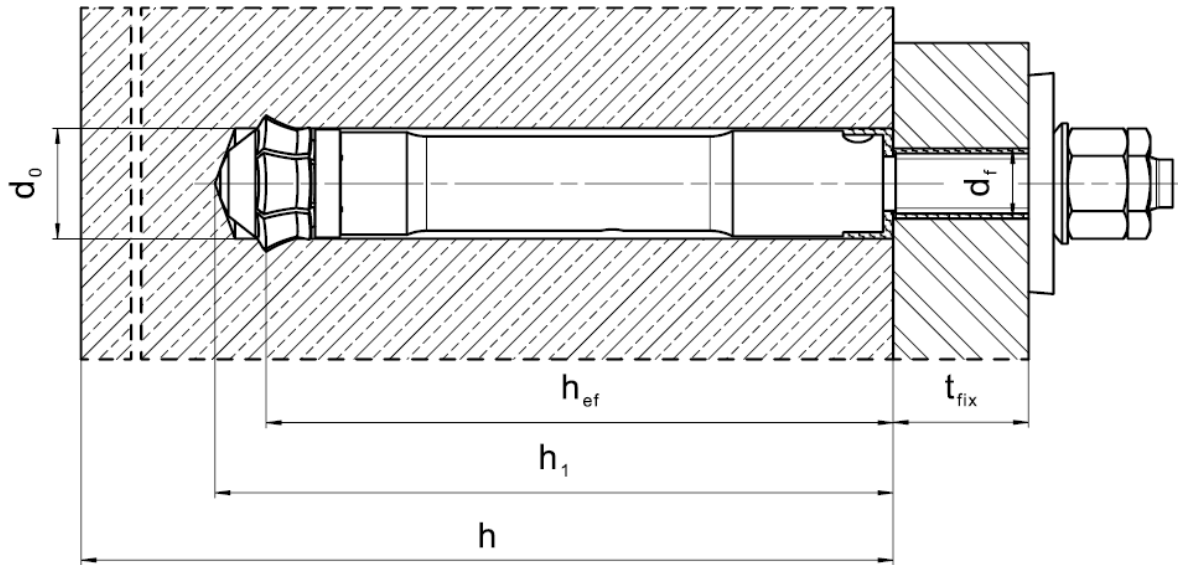
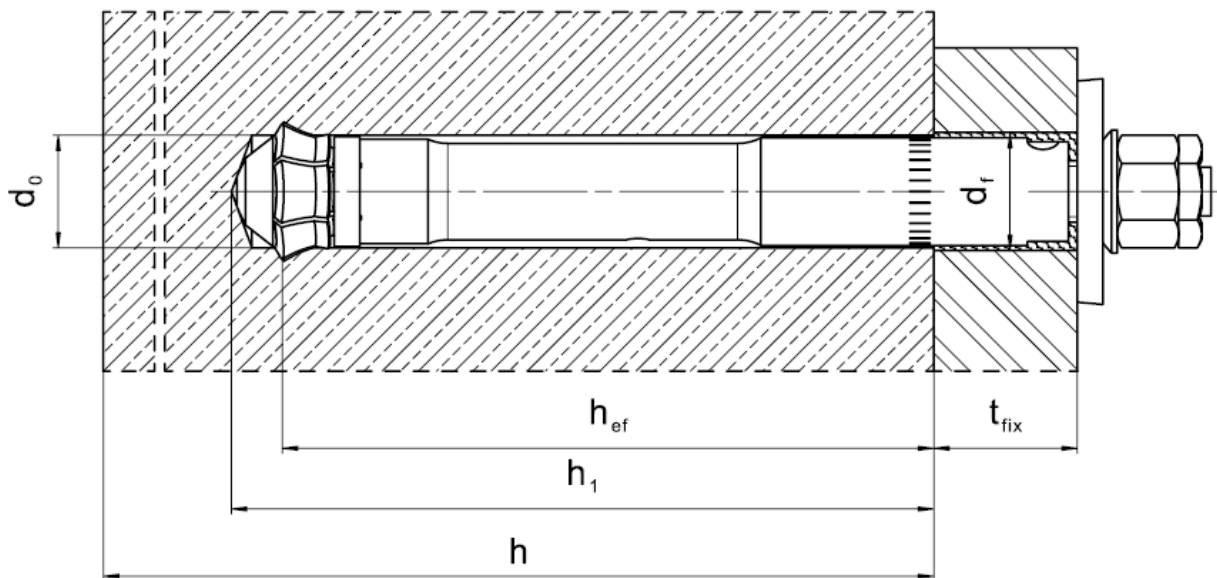


Figure A4:

Version post-positionnée HDA-T et HDA-TR avec Filling Set



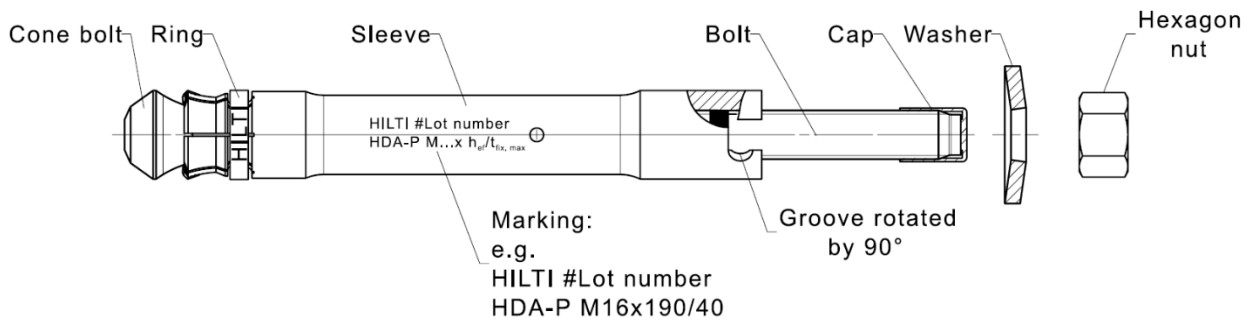
Cheville à verrouillage de forme HDA

Description du produit
Conditions d'installation

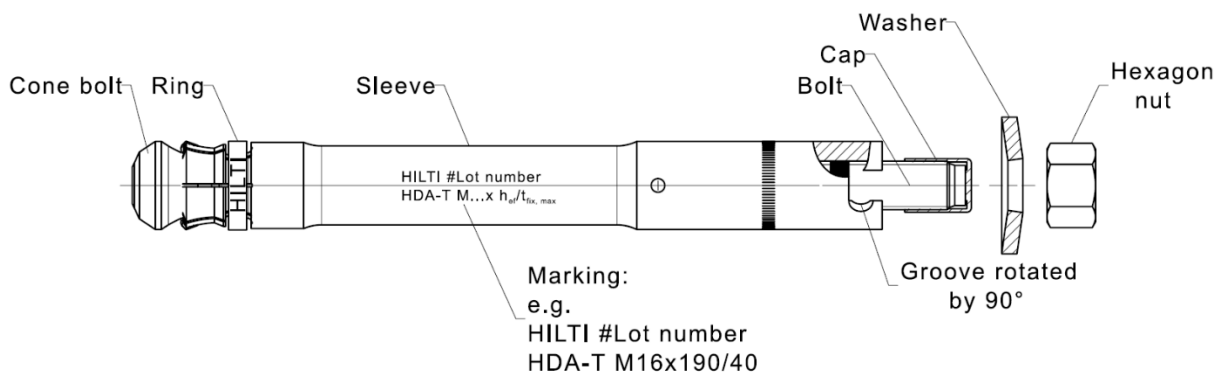
Annexe A2

Description du produit

HDA-P et HDA-PR (version pré-positionnée)



HDA-T et HDA-TR (version post-positionnée)



Cheville à verrouillage de forme HDA

Description du produit
Types de chevilles, marquages et identification

Annexe A3

Tableau A1: Matériaux pour HDA-P et HDA-T

Désignation	HDA-P / HDA-T (Acier au carbone)
Gaine	Acier au carbone, galvanisé, $\geq 5 \mu\text{m}$
Tige	Acier au carbone, galvanisé, $\geq 5 \mu\text{m}$
Ecrou hexagonal	Acier au carbone, galvanisé, $\geq 5 \mu\text{m}$
Rondelle	Acier au carbone, galvanisé, $\geq 5 \mu\text{m}$
Anneau	Anneau en plastique
Capuchon de protection	Capuchon en plastique

Tableau A2: Matériaux pour HDA-PR et HDA-TR

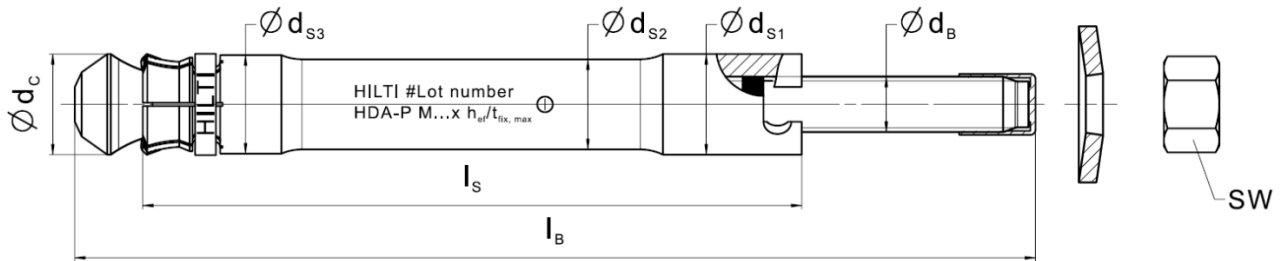
Désignation	HDA-PR / HDA-TR (Acier inoxydable)
Gaine	Acier inoxydable A4 selon l'EN 10088-1:2014
Tige	Acier inoxydable A4 selon l'EN 10088-1:2014
Ecrou hexagonal	Acier inoxydable A4 selon l'EN 10088-1:2014
Rondelle	Acier inoxydable A4 selon l'EN 10088-1:2014
Anneau	Anneau en plastique
Capuchon de protection	Capuchon en plastique

Cheville à verrouillage de forme HDA

Description du produit
Matériaux

Annexe A4

HDA-P et HDA-PR (version pré-positionnée)



HDA-T et HDA-TR (version post-positionnée)

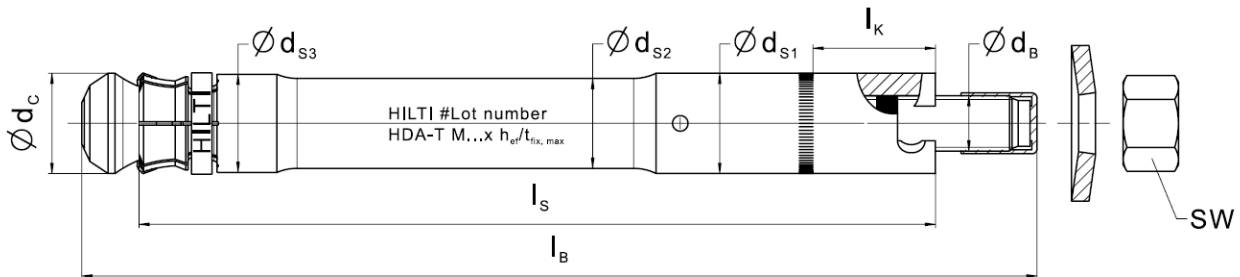


Tableau A3: Dimensions des chevilles

Type de cheville	t _{fix} ¹⁾ min-max [mm]	l _B [mm]	Lettre correspondant à la longueur	l _s [mm]	l _k [mm]	SW	d _{s1} [mm]	d _{s2} [mm]	d _{s3} [mm]	d _c [mm]	d _B [mm]
HDA-P(R) M10x100/20	0 - 20	150	I	100	-	17	19	16,8	18,5	19,5	10
HDA-T(R) M10x100/20	10 - 20	150	I	120	17	17	19	16,8	18,5	19,5	10
HDA-P(R) M12x125/30	0 - 30	190	L	125	-	19	21	18,8	20,5	21,4	12
HDA-P(R) M12x125/50	0 - 50	210	N	125	-	19	21	18,8	20,5	21,4	12
HDA-T(R) M12x125/30	10 - 30	190	L	155	27	19	21	18,8	20,5	21,4	12
HDA-T(R) M12x125/50	10 - 50	210	N	175	47	19	21	18,8	20,5	21,4	12
HDA-P(R) M16x190/40	0 - 40	275	R	190	-	24	29	26	28,5	29	16
HDA-P(R) M16x190/60	0 - 60	295	S	190	-	24	29	26	28,5	29	16
HDA-T(R) M16x190/40	15 - 40	275	R	230	35,5	24	29	26	28,5	29	16
HDA-T(R) M16x190/60	15 - 60	295	S	250	55,5	24	29	26	28,5	29	16
HDA-P M20x250/50	0 - 50	360	V	250	-	30	35	32	34,5	36	20
HDA-P M20x250/100	0 - 100	410	X	250	-	30	35	32	34,5	36	20
HDA-T M20x250/50	20 - 50	360	V	300	45	30	35	32	34,5	36	20
HDA-T M20x250/100	20 - 100	410	X	350	95	30	35	32	34,5	36	20

¹⁾ première valeur: t_{fix,min} épaisseur minimum à fixer
 Seconde valeur: t_{fix,max} épaisseur maximum à fixer

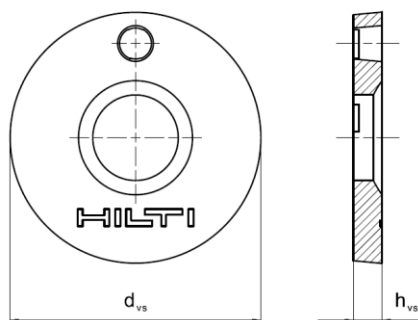
Cheville à verrouillage de forme HDA

Description du produit
 Dimensions

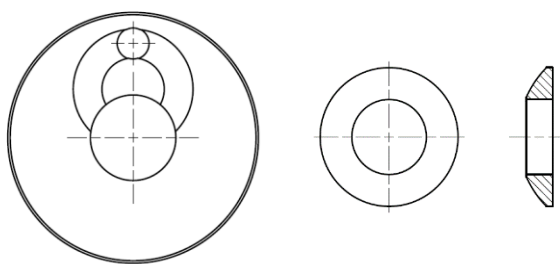
Annexe A5

Filling Set permettant de combler l'espace annulaire entre la cheville et la pièce à fixer

Rondelle de scellement



Rondelle sphérique



Filling Set

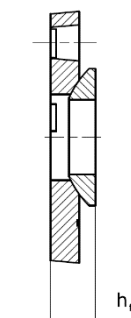


Tableau A4: Dimensions du Filling Set

Filling Set utilisé pour HDA-P(R) et HDA-T(R)	M10	M12	M16	M20¹⁾
Diamètre de la rondelle de scellement d_{vs} [mm]	42	44	52	60
Épaisseur de la rondelle de scellement h_{vs} [mm]	5		6	
Épaisseur du Filling Set Hilti h_{fs} [mm]	9	10	11	13

¹⁾ La taille M20 ne concerne que les versions HDA-P et HDA-T

Tableau A5: Matériaux du Filling Set

Filling set utilisé pour HDA-PR et HDA-TR	
Classe de résistance à la corrosion III selon l'EN 1993-1-4:2006+A1:2015	
Rondelle de scellement	Acier inoxydable A4 selon l'EN 10088-1:2014
Rondelle sphérique	Acier inoxydable A4 selon l'EN 10088-1:2014
Filling set utilisé pour HDA-P et HDA-T	
Rondelle de scellement	Acier au carbone, galvanisé
Rondelle sphérique	Acier au carbone, galvanisé
Mortier	
Mortier d'injection	Mortier d'injection Hilti HIT-HY...

Cheville à verrouillage de forme HDA

Description du produit
Dimensions et matériaux

Annexe A6

Spécifications pour l'emploi prévu avec une durée de vie de 50 et 100 ans

Ancrages soumis à:

- Actions statiques ou quasi statiques: toutes tailles.
- Performances sismiques C1 et C2: toutes tailles.
- Exposition au feu: toutes tailles.

Matériaux supports:

- Béton armé ou non armé de masse volumique courante, conforme à l'EN 206:2013+A1:2016.
- Classes de résistance C20/25 à C50/60 conforme à l'EN206:2013+A1:2016.
- Béton fissuré et béton non fissuré.

Conditions d'emploi (conditions d'environnement):

- Les chevilles HDA-PR et HDA-TR sont fabriquées en acier inoxydable : Structures sujettes à des conditions intérieures / extérieures voir EAD.
- Les chevilles HDA-P et HDA-T sont fabriquées en acier galvanisé : Structures sujettes à des conditions intérieures sèches.

Dimensionnement:

- Les ancrages sont conçus sous la responsabilité d'un ingénieur expérimenté en ancrages et en travaux en béton.
- Des notes de calcul vérifiables et des plans sont établis en tenant compte des charges à ancrer. La position de l'ancrage est indiquée sur les plans de conception (par exemple, position de l'ancrage par rapport à l'armature ou aux appuis, etc.).
- Les ancrages soumis à des charges statiques ou quasi-statiques sont dimensionnés conformément à l'EN 1992-4:2018.
- Les ancrages soumis à des actions sismiques (béton fissuré) sont dimensionnés conformément à EN 1998-1:2004.
- Les ancrages doivent être positionnés en dehors des zones critiques (par exemple, rotules plastiques) de la structure en béton. Les fixations en montage déporté ou avec une couche de coulis sous action sismique ne sont pas couvertes par cette évaluation technique européenne (ETE).
- En cas d'exigence de résistance au feu, l'écaillage local du béton d'enrobage doit être évité.

Cheville à verrouillage de forme HDA	Annexe B1
Emploi prévu Spécifications	

Installation:

- Mise en place de la cheville réalisée par du personnel qualifié, sous le contrôle du responsable technique du chantier.
- Utilisation de la cheville uniquement telle que fournie par le fabricant, sans échange de composants.
- Mise en place de la cheville conformément aux spécifications du fabricant et aux dessins préparés à cette fin, au moyen d'outils appropriés (perçage en percussion, outil de pose, foret à butée).
- Epaisseur de l'élément à fixer correspondant à la plage d'épaisseurs requises pour le type de cheville.
- Vérifications avant mise en place de la cheville pour s'assurer que la classe de résistance du béton dans lequel doit s'ancrer la cheville se situe dans la plage indiquée, et qu'elle n'est pas inférieure à celle du béton pour lequel sont applicables les charges caractéristiques.
- Vérification du parfait compactage du béton, par exemple absence de vides significatifs;
- Concernant les techniques de perçage, se référer au Tableau B1 et au Tableau B2.
- Les trous doivent être débarrassés de la poussière de forage.;
- L'installation de la cheville à la profondeur d'ancrage effective spécifiée est assurée par l'utilisation d'un foret à butée spécifique.
- Mise en place de la cheville garantissant la pleine expansion du manchon par utilisation de l'outil de pose spécifique, le marquage annulaire rouge approprié d'enfoncement devant affleurer respectivement la surface du béton (version prépositionnée) ou la surface de la pièce à fixer (version traversante), puis par le contrôle que l'interruption de filetage annulaire colorée du goujon soit pleinement visible au-dessus du manchon.
- Mise en place de la cheville garantissant la pleine résistance en cisaillement : l'enfoncement du manchon par rapport à la surface du béton (version prépositionnée) ou par rapport à la surface de la pièce à fixer doit être dans les limites fixées en Annexe B6.
- Maintien de la distance à un bord libre et de la distance entre axes dans les limites spécifiées, sans tolérances négatives;
- Réalisation des trous de forage et du logement de verrouillage de forme sans endommager l'armature du béton;
- En cas de forage abandonné, perçage d'un nouveau trou à une distance minimale de deux fois la profondeur du trou abandonné, ou à une distance plus petite si le trou abandonné est comblé avec du mortier à haute résistance, et aucune charge de cisaillement ou de traction oblique n'est appliquée en direction du trou abandonné.
- Application du couple de serrage indiqué en Annexe B6, à l'aide d'une clé dynamométrique étalonnée.


Cheville à verrouillage de forme HDA	Annexe B2
Emploi prévu Spécifications	

Tableau B1: Spécifications pour l'emploi prévu

Ancrages soumis à:	M10	M12	M16	M20 ¹⁾
Chargement statique et quasi statique dans du béton fissuré et non fissuré – perçage par percussion	✓	✓	✓	✓
Catégorie de performance sismique C1 - perçage par percussion	✓	✓	✓	✓
Catégorie de performance sismique C2 - perçage par percussion	✓	✓	✓	✓
Exposition au feu - perçage par percussion	✓	✓	✓	✓

¹⁾ La taille M20 est uniquement pour les versions HDA-P et HDA-T

Tableau B2: Techniques de perçage

Ancrages soumis à:	M10	M12	M16	M20 ¹⁾
Perçage par percussion (HD) avec stop drill bit 	✓	✓	✓	✓

¹⁾ La taille M20 est uniquement pour les versions HDA-P et HDA-T

Tableau B3: Nettoyage du trou percé




Nettoyage manuel (MC): Pompe à main Hilti pour souffler la poussière hors du trou	
Nettoyage à l'air comprimé (CAC): Avec un diamètre d'ouverture de la buse de 3,5 mm	

Tableau B4: Méthodes d'application du couple

	HDA-P(R) / HDA-T(R)
Clef dynamométrique 	HDA-P et HDA-T: M10 à M20 HDA-PR et HDA-TR: M10 à M16

Cheville à verrouillage de forme par autoforage HDA

Emploi prévu
Spécifications

Annexe B3

Stop drill bit HDA

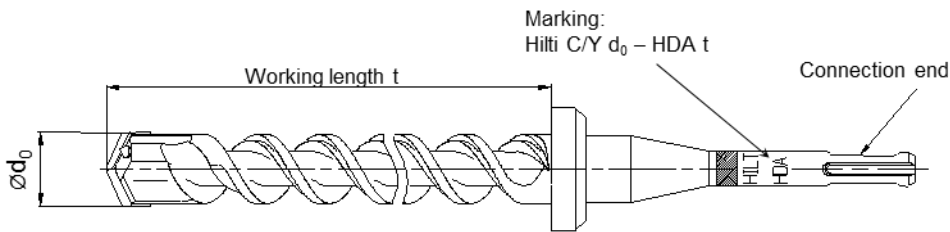


Tableau B5: Stop drill bits pour HDA

Type de cheville	Stop drill bit avec		Longueur utile nominale t [mm]	Diamètre du foret d ₀ [mm]
	TE-C connexion	TE-Y connexion		
HDA-P(R) M10x100/20	TE-C-HDA-B 20x100	TE-Y-HDA-B 20x100	107	20
HDA-T(R) M10x100/20	TE-C-HDA-B 20x120	TE-Y-HDA-B 20x120	127	20
HDA-P(R) M12x125/30 HDA-P(R) M12x125/50	TE-C-HDA-B 22x125	TE-Y-HDA-B 22x125	133	22
HDA-T(R) M12x125/30	TE-C-HDA-B 22x155	TE-Y-HDA-B 22x155	163	22
HDA-T(R) M12x125/50	TE-C-HDA-B 22x175	TE-Y-HDA-B 22x175	183	22
HDA-P(R) M16x190/40 HDA-P(R) M16x190/60	-	TE-Y-HDA-B 30x190	203	30
HDA-T(R) M16x190/40	-	TE-Y-HDA-B 30x230	243	30
HDA-T(R) M16x190/60	-	TE-Y-HDA-B 30x250	263	30
HDA-P M20x250/50 HDA-P M20x250/100	-	TE-Y-HDA-B 37x250	266	37
HDA-T M20x250/50	-	TE-Y-HDA-B 37x300	316	37
HDA-T M20x250/100	-	TE-Y-HDA-B 37x350	366	37

Cheville à verrouillage de forme par autoforage HDA	Annexe B4
Emploi prévu Outils de pose	

Outils pour l'installation des chevilles HDA

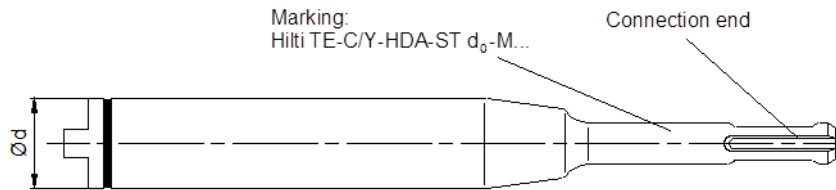
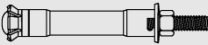
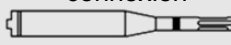
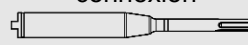


Tableau B6: Outils d'installation requis pour les chevilles HDA¹⁾

Type de cheville	Outil d'installation avec		Ød [mm]
	TE-C connexion	TE-Y connexion	
 HDA-P(R) M10x100/20 HDA-T(R) M10x100/20	 TE-C-HDA-ST 20-M10	 TE-Y-HDA-ST 20-M10	20
HDA-P(R) M12x125/30 HDA-P(R) M12x125/50 HDA-T(R) M12x125/30 HDA-T(R) M12x125/50	TE-C-HDA-ST 22-M12	TE-Y-HDA-ST 22-M12	22
HDA-P(R) M16x190/40 HDA-P(R) M16x190/60 HDA-T(R) M16x190/40 HDA-T(R) M16x190/60	-	TE-Y-HDA-ST 30-M16	30
HDA-P M20x250/50 HDA-P M20x250/100 HDA-T M20x250/50 HDA-T M20x250/100	-	TE-Y-HDA-ST 37-M20	37

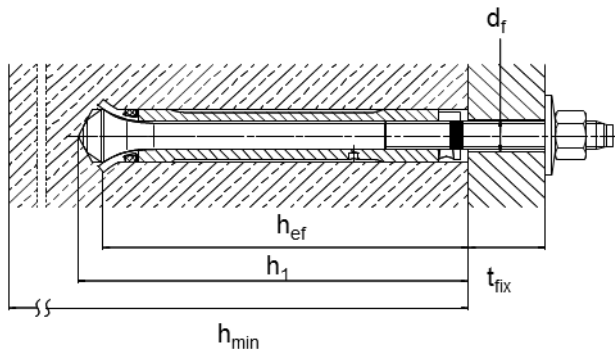
¹⁾ Machine de perçage requise pour les chevilles HDA telle que définie par le fabricant dans les instructions d'installation du produit.

Cheville à verrouillage de forme par autoforage HDA

Emploi prévu
Outils de pose

Annexe B5

Cheville préinstallée
HDA-P et HDA-PR (pré-positionnée)



Cheville traversante
HDA-T et HDA-TR (post-positionnée)

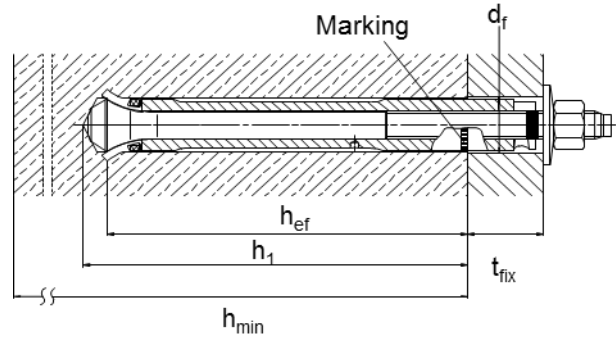


Tableau B7: Paramètres d'installation

Type de cheville pré-positionnée / post-positionnée	HDA M10		HDA M12		HDA M16		HDA M20	
	P(R)	T(R)	P(R)	T(R)	P(R)	T(R)	P	T
Diamètre nominal du foret d ₀ [mm]	20		22		30		37	
Diamètre max. du foret d _{cut} [mm]	20,55		22,55		30,55		37,70	
Profondeur du trou percé h ₁ [mm]	107	≥107	133	≥133	203	≥203	266	≥266
Diamètre max. de passage dans la pièce à fixer d _f [mm]	12	21	14	23	18	32	22	40
Epaisseur min. à fixer t _{fix,min} [mm]	0	10	0	10	0	15	0	20
Enfoncement de la douille ¹⁾ h _s [mm]	2 ≤ h _s ≤ 6		2 ≤ h _s ≤ 7		2 ≤ h _s ≤ 8		2 ≤ h _s ≤ 8	
Couple d'installation T _{inst} [Nm]	50		80		120		300	

¹⁾ Enfoncement de la douille après installation de la cheville

a) Cheville préinstallée HDA-P(R):

Distance entre la surface de l'élément en béton et le bord supérieur de la douille de l'ancrage, voir Annexe A1

b) Cheville traversante HDA-T(R):

Distance entre le bord supérieur de la pièce fixée et le bord supérieur de la douille de l'ancrage, voir Annexe A1

Cheville à verrouillage de forme par autoforage HDA

Annexe B6

Emploi prévu
 Paramètres d'installation

Tableau B8: Épaisseur minimale de l'élément en béton, HDA-P et HDA-PR

Type de cheville			HDA-P M10 HDA-PR M10	HDA-P M12 HDA-PR M12	HDA-P M16 HDA-PR M16	HDA-P M20
Épaisseur minimale de l'élément en béton	h_{min}	[mm]	180	200	270	350

Tableau B9: Épaisseur minimale de l'élément en béton, HDA-T et HDA-TR

Type de cheville			HDA-T M10 HDA-TR M10		HDA-T M12 HDA-TR M12		HDA-T M16 HDA-TR M16		HDA-T M20	
Épaisseur maximale de l'élément à fixer	$t_{fix,max}$	¹⁾ [mm]	20	30	50	40	60	50	100	
Épaisseur minimale de l'élément en béton	h_{min}	²⁾ [mm]	200- t_{fix}	230- t_{fix}	250- t_{fix}	310- t_{fix}	330- t_{fix}	400- t_{fix}	450- t_{fix}	

¹⁾ $t_{fix,max}$ épaisseur maximale de l'élément à fixer, voir Tableau A3, Annexe A5

²⁾ h_{min} dépend de l'épaisseur réelle de la pièce à fixer t_{fix} (utiliser un stop drill bit)

e.g. HDA-T M12x125/50: $t_{fix} = 20mm \rightarrow h_{min} = 250-20 = 230mm$

$t_{fix} = 50mm \rightarrow h_{min} = 250-50 = 200mm$

Tableau B10: Espacement minimum et des ancrages

HDA-P(R) / HDA-T(R)			M10	M12	M16	M20 ¹⁾
Béton fissuré						
Espacement minimum	s_{min}	[mm]	80	90	120	150
Distance minimale du bord	c_{min}	[mm]	80	90	120	150
Béton non fissuré						
Espacement minimum	s_{min}	[mm]	80	90	120	150
Distance minimale du bord	c_{min}	[mm]	80	90	120	150

¹⁾ La taille M20 est uniquement pour les versions HDA-P et HDA-T

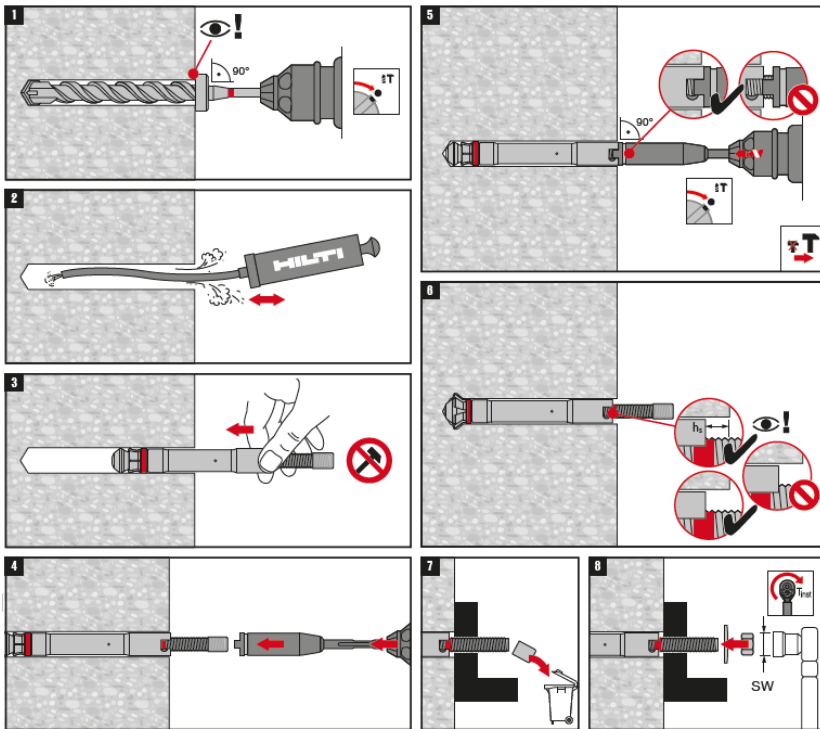
Cheville à verrouillage de forme par autoforage HDA

Emploi prévu

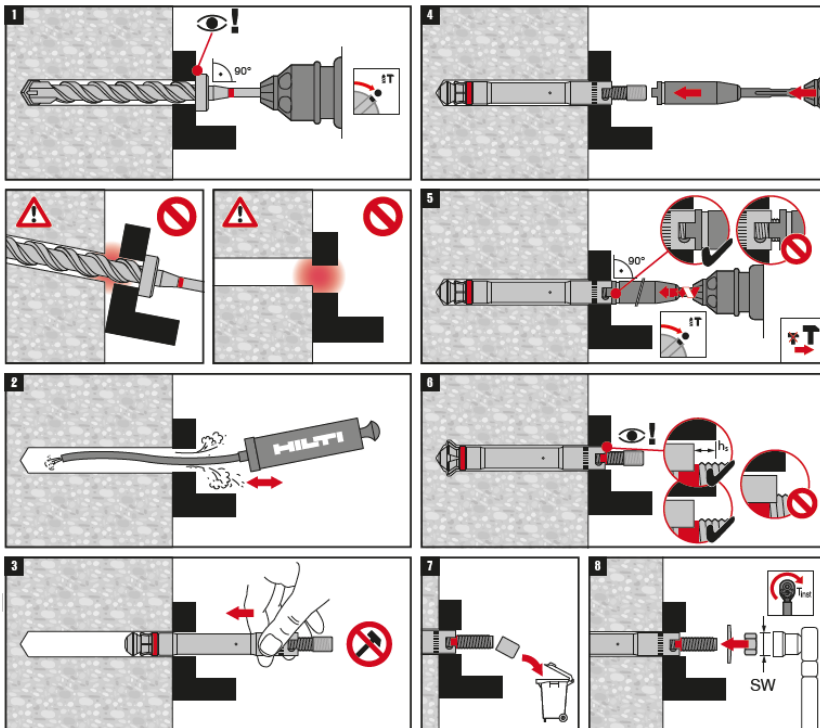
Entraxe minimum et distance minimum du bord

Annexe B7

Instruction de Pose: HDA-P et HDA-PR (Pré positionnement)



Instruction de Pose: HDA-T et HDA-TR (Post positionnement)



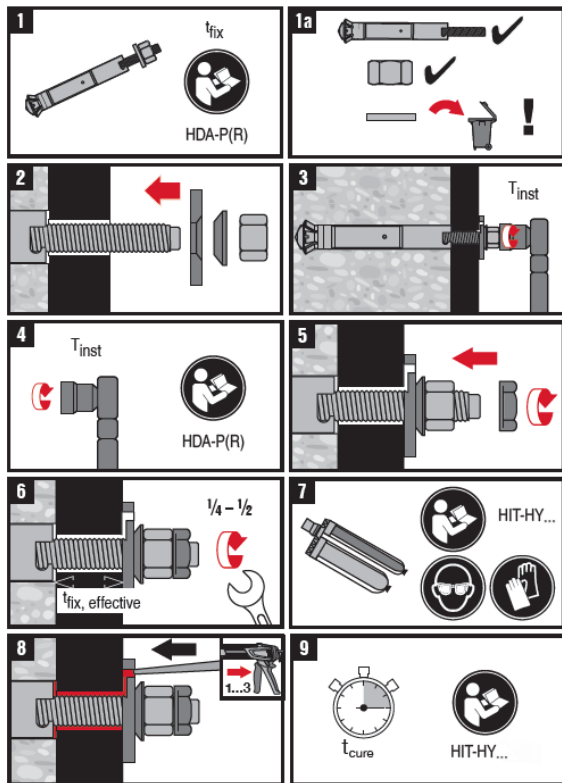
Cheville à verrouillage de forme par autoforage HDA

Emploi prévu
Instructions d'installation

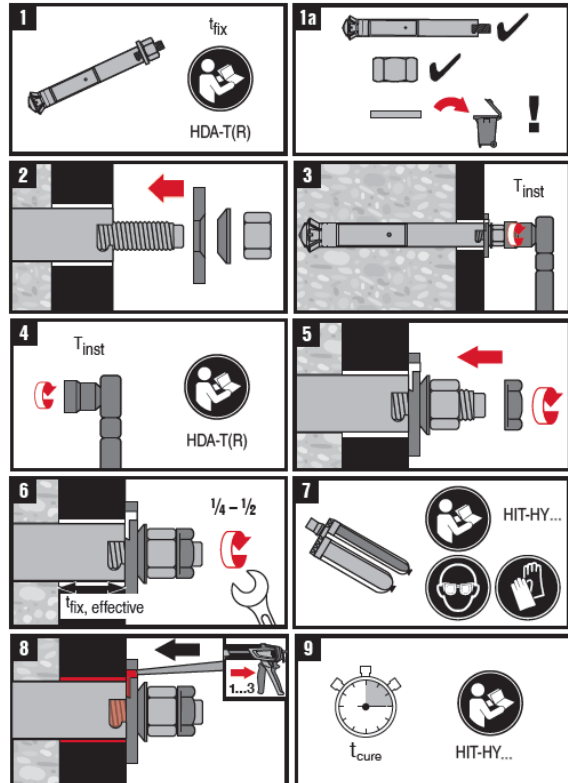
Annexe B8

Installation avec le Filling set

HDA-P(R)



HDA-T(R)



Cheville à verrouillage de forme par autoforage HDA

Emploi prévu
Instructions d'installation

Annexe B9

Tableau C1: Valeurs caractéristiques de résistance sous charges de traction statiques et quasi statiques pour les chevilles HDA-P et HDA-T pour une durée de vie de 50 et 100 ans

HDA-P / HDA-T			M10	M12	M16	M20
Profondeur effective d'ancrage	h_{ef}	[mm]	100	125	190	250
Rupture de l'acier						
Coefficient partiel de sécurité	$\gamma_{Ms,N}^{1)}$	[-]	1,50			
Résistance caractéristique	$N_{Rk,s}$	[kN]	46	67	126	192
Rupture par extraction						
Résistance caractéristique dans du béton C20/25						
Coefficient de sécurité d'installation	γ_{inst}	[-]	1,00			
Béton non fissuré	$N_{Rk,p,uncr}$	[kN]	46	67	126	192
Béton fissuré	$N_{Rk,p,cr}$	[kN]	39,8	55,6	104,2	157,3
Facteur d'accroissement de $N_{Rk,p}$ pour le béton fissuré et non fissuré $\psi_c = (f_{ck}/20)^{0,5}$		C30/37	1,22			
		C40/50	1,41			
		C50/60	1,58			
Rupture par cône béton et par fendage						
Coefficient de sécurité d'installation	γ_{inst}	[-]	1,00			
Facteur		$k_1=k_{ucr,N}$	12,7			
		$k_1=k_{cr,N}$	8,9			
Espacement	$s_{cr,N}$	[mm]	$3 \cdot h_{ef}$			
Distance du bord	$c_{cr,N}$	[mm]	$1,5 \cdot h_{ef}$			
Résistance caractéristique en cisaillement	$N^0_{Rk,sp}$	[kN]	Min ($N_{Rk,p}; N^0_{Rk,c}^{2)}$)			
Espacement	$s_{cr,sp}$	[mm]	$3 \cdot h_{ef}$			
Distance du bord	$c_{cr,sp}$	[mm]	$1,5 \cdot h_{ef}$			

1) En l'absence d'autre réglementation nationale.

2) $N^0_{Rk,c}$ selon l'EN 1992-4:2018

Cheville à verrouillage de forme par autoforage HDA

Performances

Résistance caractéristique sous charge de traction pour une durée de vie de 50 et 100 ans

Annexe C1

Tableau C2: Valeurs caractéristiques de résistance sous charges de traction statiques et quasi statiques pour HDA-PR et HDA-TR pour une durée de vie de 50 et 100 ans

HDA-PR / HDA-TR			M10	M12	M16
Profondeur effective d'ancrage	h_{ef}	[mm]	100	125	190
Rupture de l'acier					
Coefficient partiel de sécurité	$\gamma_{Ms,N}^{1)}$	[-]	1,60		
Résistance caractéristique	$N_{Rk,s}$	[kN]	46	67	126
Rupture par extraction					
Coefficient de sécurité d'installation	γ_{inst}	[-]	1,00		
Béton non fissuré	$N_{Rk,p,uncr}$	[kN]	46	67	126
Béton fissuré	$N_{Rk,p,cr}$	[kN]	39,8	55,6	104,2
Facteur d'accroissement de $N_{Rk,p}$ pour le béton fissuré et non fissuré $\psi_c = (f_{ck}/20)^{0,5}$		C30/37	1,22		
		C40/50	1,41		
		C50/60	1,58		
Rupture par cône béton et par fendage					
Coefficient de sécurité d'installation	γ_{inst}	[-]	1,00		
Facteur	$k_1=k_{ucr,N}$	[-]	12,7		
	$k_1=k_{cr,N}$	[-]	8,9		
Espacement	$s_{cr,N}$	[mm]	$3 \cdot h_{ef}$		
Distance du bord	$c_{cr,N}$	[mm]	$1,5 \cdot h_{ef}$		
Résistance caractéristique en cisaillement	$N^0_{Rk,sp}$	[kN]	Min ($N_{Rk,p}$; $N^0_{Rk,c}^{2)}$)		
Espacement	$s_{cr,sp}$	[mm]	$3 \cdot h_{ef}$		
Distance du bord	$c_{cr,sp}$	[mm]	$1,5 \cdot h_{ef}$		

1) En l'absence d'autre réglementation nationale.

2) $N^0_{Rk,c}$ selon l'EN 1992-4:2018

Cheville à verrouillage de forme par autoforage HDA

Annexe C2

Performances

Résistance caractéristique sous charge de traction pour une durée de vie de 50 et 100 ans

Tableau C3: Valeurs caractéristiques de résistance sous charges de cisaillement statiques et quasi statiques pour les chevilles HDA-P et HDA-T pour une durée de vie de 50 et 100 ans

HDA-P		M10	M12	M16	M20									
Profondeur effective d'ancrage	h_{ef} [mm]	100	125	190	250									
Rupture de l'acier sans bras de levier														
Coefficient partiel de sécurité	$\gamma_{Ms,V}^{1)}$ [-]	1,25												
Facteur de ductilité	k_7 [-]	1,00												
Résistance caractéristique	$V^0_{Rk,s}$ [kN]	26,4	37,7	67,8	104,0									
Résistance caractéristique avec le Filling Set Hilti	$V^0_{Rk,s}$ [kN]	29,2	42,2	71,7	111,0									
Rupture de l'acier avec bras de levier														
Coefficient partiel de sécurité	$\gamma_{Ms,V}^{1)}$ [-]	1,25												
Facteur de ductilité	k_7 [-]	1,00												
Resistance caractéristique	$M^0_{Rk,s}$ [Nm]	60	105	266	519									
HDA-T		M10	M12	M16	M20									
Profondeur effective d'ancrage	h_{ef} [mm]	100	125	190	250									
Rupture de l'acier sans bras de levier														
Coefficient partiel de sécurité	$\gamma_{Ms,V}^{1)}$ [-]	1,50												
Facteur de ductilité	k_7 [-]	1,00												
Résistance caractéristique	pour t_{fix} [mm]	10 ≤	15 ≤	10 ≤	15 ≤	20 ≤	15 ≤	25 ≤	30 ≤	35 ≤	20 ≤	25 ≤	40 ≤	55 ≤
Résistance caractéristique	$V^0_{Rk,s}$ [kN]	< 15	≤ 20	< 15	< 20	≤ 50	< 25	< 30	< 35	≤ 60	< 25	< 40	< 55	≤ 100
Résistance caractéristique	$V^0_{Rk,s}$ [kN]	60,8	70	77,6	80	100	141,1	155	170	190	182,7	205	235	250
Résistance caractéristique avec le Filling Set Hilti	pour t_{fix} [mm]	10 ≤	15 ≤	10 ≤	15 ≤	20 ≤	15 ≤	25 ≤	30 ≤	35 ≤	20 ≤	25 ≤	40 ≤	55 ≤
Résistance caractéristique avec le Filling Set Hilti	$V^0_{Rk,s}$ [kN]	< 15	≤ 20	< 15	< 20	≤ 50	< 25	< 30	< 35	≤ 60	< 25	< 40	< 55	≤ 100
Résistance caractéristique avec le Filling Set Hilti	$V^0_{Rk,s}$ [kN]	60,8	70	77,6	80	100	141,1	155	170	190	182,7	205	235	250
Rupture de l'acier avec bras de levier														
Coefficient partiel de sécurité	$\gamma_{Ms,V}^{1)}$ [-]	1,25												
Facteur de ductilité	k_7 [-]	1,00												
Resistance caractéristique	$M^0_{Rk,s}$ [Nm]	60	105	266	519									

1) En l'absence d'autre réglementation nationale

Cheville à verrouillage de forme par autoforage HDA

Performances

Résistance caractéristique sous charge de cisaillement pour une durée de vie de 50 et 100 ans

Annexe C3

Tableau C3: Suite

HDA-P / HDA-T	M10	M12	M16	M20
Profondeur effective d'ancrage h_{ef} [mm]	100	125	190	250
Rupture du béton par effet levier				
Facteur d'effet levier k_8 [-]	2,0			
Coefficient de sécurité d'installation γ_{inst} [-]	1,00			
Rupture du bord de l'élément en béton				
Profondeur effective d'ancrage $l_f = h_{ef}$ [mm]	100	125	190	250
Diamètre de la cheville d_{nom} [mm]	19	21	29	35
Coefficient de sécurité d'installation γ_{inst} [-]	1,00			

Cheville à verrouillage de forme par autoforage HDA

Performances

Résistance caractéristique sous charge de cisaillement pour une durée de vie de 50 et 100 ans

Annexe C4

Tableau C4: Valeurs caractéristiques de résistance sous charges de cisaillement statiques et quasi statiques pour les chevilles HDA-PR et HDA-TR pour une durée de vie de 50 et 100 ans

HDA-PR		M10	M12	M16	
Profondeur effective d'ancrage	h_{ef} [mm]	100	125	190	
Rupture de l'acier sans bras de levier					
Coefficient partiel de sécurité	$\gamma_{Ms,V}^{1)}$ [-]	1,33			
Facteur de ductilité	k_7 [-]	1,00			
Résistance caractéristique	$V^0_{Rk,s}$ [kN]	25,2	38,0	76,1	
Résistance caractéristique avec le Filling Set Hilti	$V^0_{Rk,s}$ [kN]	30,1	45,2	84,8	
Rupture de l'acier avec bras de levier					
Coefficient partiel de sécurité	$\gamma_{Ms,V}^{1)}$ [-]	1,33			
Facteur de ductilité	k_7 [-]	1,00			
Résistance caractéristique	$M^0_{Rk,s}$ [Nm]	60	105	266	
HDA-TR		M10	M12	M16	
Profondeur effective d'ancrage	h_{ef} [mm]	100	125	190	
Rupture de l'acier sans bras de levier					
Coefficient partiel de sécurité	$\gamma_{Ms,V}^{1)}$ [-]	1,33			
Facteur de ductilité	k_7 [-]	1,00			
Résistance caractéristique	pour t_{fix} [mm]	$10 \leq \leq 20$	$10 \leq < 30$	$30 \leq \leq 50$	$15 \leq \leq 60$
	$V^0_{Rk,s}$ [kN]	77,3	97,3	109	171,1
Résistance caractéristique avec le Filling Set Hilti	pour t_{fix} [mm]	$10 \leq \leq 20$	$10 \leq < 30$	$30 \leq \leq 50$	$15 \leq \leq 60$
	$V^0_{Rk,s}$ [kN]	77,3	97,3	109	171,1
Rupture de l'acier avec bras de levier					
Coefficient partiel de sécurité	$\gamma_{Ms,V}^{1)}$ [-]	1,33			
Facteur de ductilité	k_7 [-]	1,00			
Résistance caractéristique	$M^0_{Rk,s}$ [Nm]	60	105	266	

1) En l'absence d'autre réglementation nationale

Cheville à verrouillage de forme par autoforage HDA

Performances

Résistance caractéristique sous charge de cisaillement pour une durée de vie de 50 et 100 ans

Annexe C5

Tableau C4: Suite

HDA-PR / HDA-TR	M10	M12	M16
Profondeur effective d'ancrage h_{ef} [mm]	100	125	190
Rupture du béton par effet levier			
Facteur d'effet levier k_8 [-]	2,0		
Coefficient de sécurité d'installation γ_{inst} [-]	1,00		
Rupture du bord de l'élément en béton			
Profondeur effective d'ancrage $l_f = h_{ef}$ [mm]	100	125	190
Diamètre de la cheville d_{nom} [mm]	19	21	29
Coefficient de sécurité d'installation γ_{inst} [-]	1,00		

Cheville à verrouillage de forme par autoforage HDA

Performances

Résistance caractéristique sous charge de cisaillement pour une durée de vie de 50 et 100 ans

Annexe C6

Tableau C5: Déplacements sous charge de traction en cas de chargement statique ou quasi-statique des chevilles HDA-P et HDA-T pour une durée de vie de 50 et 100 ans

HDA-P / HDA-T			M10	M12	M16	M20
Profondeur d'ancrage effective	h_{ef}	[mm]	100	125	190	250
Charge de traction dans le béton non-fissuré	N	[kN]	21,9	31,9	60,0	91,4
Déplacement correspondant	δ_{N0}	[mm]	0,4	0,8	1,7	2,4
	$\delta_{N\infty}$	[mm]	1,3	1,4	1,7	2,4
Charge de traction dans le béton fissuré	N	[kN]	19,0	26,5	49,6	74,9
Déplacement correspondant	δ_{N0}	[mm]	0,2	1,3	2,9	3,5
	$\delta_{N\infty}$	[mm]	1,3	1,4	2,9	3,5

Tableau C6: Déplacements sous charge de traction en cas de chargement statique ou quasi-statique des chevilles HDA-PR et HDA-TR pour une durée de vie de 50 et 100 ans

HDA-PR / HDA-TR			M10	M12	M16
Profondeur d'ancrage effective	h_{ef}	[mm]	100	125	190
Charge de traction dans le béton non-fissuré	N	[kN]	21,9	31,9	60,0
Déplacement correspondant	δ_{N0}	[mm]	0,4	0,8	1,7
	$\delta_{N\infty}$	[mm]	1,3	1,4	1,7
Charge de traction dans le béton fissuré	N	[kN]	19,0	26,5	49,6
Déplacement correspondant	δ_{N0}	[mm]	1,3	1,4	2,2
	$\delta_{N\infty}$	[mm]	1,3	1,4	2,2

Cheville à verrouillage de forme par autoforage HDA

Performances
Déplacements pour une durée de vie de 50 et 100 ans

Annexe C7

Tableau C7: Déplacements sous charge de cisaillement en cas de chargement statique ou quasi-statique des chevilles HDA-P et HDA-T pour une durée de vie de 50 et 100 ans

HDA-P			M10	M12	M16	M20
Profondeur d'ancrage effective	h_{ef}	[mm]	100	125	190	250
Charge de cisaillement dans le béton non-fissuré et fissuré	V	[kN]	12,6	18,0	32,3	49,5
Déplacement correspondant	δ_{V0}	[mm]	4,4	4,9	2,7	3,6
	$\delta_{V\infty}$	[mm]	6,6	7,4	4,1	5,4
Charge de cisaillement dans le béton non-fissuré et fissuré avec le Filling Set	V	[kN]	13,9	20,1	34,1	52,9
Déplacement correspondant	δ_{V0}	[mm]	1,7	0,8	1,2	1,8
	$\delta_{V\infty}$	[mm]	2,5	1,2	1,9	2,7
HDA-T			M10	M12	M16	M20
Profondeur d'ancrage effective	h_{ef}	[mm]	100	125	190	250
Charge de cisaillement dans le béton non-fissuré et fissuré	V	[kN]	29,0	37,0	67,2	87,0
Déplacement correspondant	δ_{V0}	[mm]	6,2	6,1	5,0	8,9
	$\delta_{V\infty}$	[mm]	9,3	9,1	7,6	13,4
Charge de cisaillement dans le béton non-fissuré et fissuré avec le Filling Set	V	[kN]	29,0	37,0	67,2	87,0
Déplacement correspondant	δ_{V0}	[mm]	6,2	6,1	5,0	8,9
	$\delta_{V\infty}$	[mm]	9,3	9,1	7,6	13,4

Cheville à verrouillage de forme par autoforage HDA

Performances
 Displacements pour une durée de vie de 50 et 100 ans

Annexe C8

Tableau C8: Déplacements sous charge de cisaillement en cas de chargement statique ou quasi-statique des chevilles HDA-P et HDA-T pour une durée de vie de 50 et 100 ans

HDA-PR			M10	M12	M16
Profondeur d'ancrage effective	h_{ef}	[mm]	100	125	190
Charge de cisaillement dans le béton non-fissuré et fissuré	V	[kN]	12,0	18,1	36,2
Déplacement correspondant	δ_{V0}	[mm]	3,9	7,5	4,9
	$\delta_{V\infty}$	[mm]	5,9	11,2	7,3
Charge de cisaillement dans le béton non-fissuré et fissuré avec le Filling Set	V	[kN]	14,3	21,5	40,4
Déplacement correspondant	δ_{V0}	[mm]	3,9	7,5	4,9
	$\delta_{V\infty}$	[mm]	5,9	11,2	7,3
HDA-TR			M10	M12	M16
Profondeur d'ancrage effective	h_{ef}	[mm]	100	125	190
Charge de cisaillement dans le béton non-fissuré et fissuré	V	[kN]	36,8	46,3	81,5
Déplacement correspondant	δ_{V0}	[mm]	6,5	6,5	8,4
	$\delta_{V\infty}$	[mm]	9,8	9,8	12,6
Charge de cisaillement dans le béton non-fissuré et fissuré avec le Filling Set	V	[kN]	36,8	46,3	81,5
Déplacement correspondant	δ_{V0}	[mm]	6,5	6,5	8,4
	$\delta_{V\infty}$	[mm]	9,8	9,8	12,6

Cheville à verrouillage de forme par autoforage HDA

Performances
Déplacements pour une durée de vie de 50 et 100 ans

Annexe C9

Tableau C9: Valeurs caractéristiques de résistance sous charges de traction, catégorie sismique C1 pour les chevilles HDA-P et HDA-T pour une durée de vie de 50 et 100 ans

HDA-P / HDA-T			M10	M12	M16	M20
Profondeur effective d'ancrage	h_{ef}	[mm]	100	125	190	250
Rupture de l'acier						
Coefficient partiel de sécurité	$\gamma_{Ms,C1}^{1)}$	[-]	1,5			
Résistance caractéristique	$N_{Rk,s,seis}$	[kN]	46	67	126	192
Rupture par extraction						
Coefficient de sécurité d'installation	γ_{inst}	[-]	1,0			
Résistance caractéristique	$N_{Rk,p,C1}$	[kN]	39,8	55,6	104,2	157,3
Rupture par cône béton ²⁾						
Coefficient de sécurité d'installation	γ_{inst}	[-]	1,0			
Facteur	$k_1=k_{cr,N}$	[-]	8,9			
Rupture par fendage ²⁾						
Coefficient de sécurité d'installation	γ_{inst}	[-]	1,0			

1) En l'absence d'autres réglementations nationales

2) Pour une rupture par cône béton et une rupture par fendage voir l'EN 1992-4:2018

Tableau C10: Valeurs caractéristiques de résistance sous charges de traction, catégorie sismique C1 pour HDA-PR et HDA-TR pour une durée de vie de 50 et 100 ans

HDA-PR / HDA-TR			M10	M12	M16
Profondeur effective d'ancrage	h_{ef}	[mm]	100	125	190
Rupture de l'acier					
Coefficient partiel de sécurité	$\gamma_{Ms,C1}^{1)}$	[-]	1,6		
Résistance caractéristique	$N_{Rk,s,C1}$	[kN]	46	67	126
Rupture par extraction					
Coefficient de sécurité d'installation	γ_{inst}	[-]	1,0		
Résistance caractéristique	$N_{Rk,p,C1}$	[kN]	39,8	55,6	104,2
Rupture par cône béton ²⁾					
Coefficient de sécurité d'installation	γ_{inst}	[-]	1,0		
Facteur	$k_1=k_{cr,N}$	[-]	8,9		
Rupture par fendage ²⁾					
Coefficient de sécurité d'installation	γ_{inst}	[-]	1,0		

1) En l'absence d'autres réglementations nationales

2) Pour une rupture par cône béton et une rupture par fendage voir l'EN 1992-4:2018

Cheville à verrouillage de forme par autoforage HDA

Performances

Résistance caractéristique sous charges de traction, catégorie sismique C1 pour une durée de vie de 50 et 100 ans

Annexe C10

Tableau C11: Valeurs caractéristiques de résistance sous charges de cisaillement, catégorie sismique C1 pour les chevilles HDA-P et HDA-T pour une durée de vie de 50 et 100 ans

HDA-P		M10	M12	M16	M20														
Profondeur effective d'ancrage	h_{ef} [mm]	100	125	190	250														
Rupture de l'acier																			
Facteur de réduction selon l'EN 1992-4:2018 sans Filling Set	α_{gap} [-]	0,5																	
Facteur de réduction selon l'EN 1992-4:2018 avec Filling Set	α_{gap} [-]	1,0																	
Résistance caractéristique	$V_{Rk,s,C1}$ [kN]	26,4	37,7	67,8	104,0														
Résistance caractéristique avec le Filling Set	$V_{Rk,s,C1}$ [kN]	29,2	42,2	71,7	111,0														
Coefficient partiel de sécurité	$\gamma_{Ms,C1}^{1)}$ [-]	1,25																	
HDA-T		M10	M12	M16	M20														
Profondeur effective d'ancrage	h_{ef} [mm]	100	125	190	250														
Rupture de l'acier																			
Facteur de réduction selon l'EN 1992-4:2018 sans Filling Set	α_{gap} [-]	0,5																	
Facteur de réduction selon l'EN 1992-4:2018 avec Filling Set	α_{gap} [-]	1,0																	
Résistance caractéristique	pour t_{fix} [mm]	10 ≤ 15	15 ≤ 20	20 ≤ 25	25 ≤ 30	30 ≤ 35	35 ≤ 40	40 ≤ 45	45 ≤ 50	50 ≤ 55	55 ≤ 60	60 ≤ 65	65 ≤ 70	70 ≤ 75	75 ≤ 80	80 ≤ 85	85 ≤ 90	90 ≤ 95	95 ≤ 100
	$V_{Rk,s,C1}$ [kN]	60,8	70	77,6	80	100	141,1	155	170	190	182,7	205	235	250					
Résistance caractéristique avec le Filling Set	pour t_{fix} [mm]	10 ≤ 15	15 ≤ 20	20 ≤ 25	25 ≤ 30	30 ≤ 35	35 ≤ 40	40 ≤ 45	45 ≤ 50	50 ≤ 55	55 ≤ 60	60 ≤ 65	65 ≤ 70	70 ≤ 75	75 ≤ 80	80 ≤ 85	85 ≤ 90	90 ≤ 95	95 ≤ 100
	$V_{Rk,s,C1}$ [kN]	60,8	70	77,6	80	100	141,1	155	170	190	182,7	205	235	250					
Coefficient partiel de sécurité	$\gamma_{Ms,C1}^{1)}$	1,5																	
HDA-P / HDA-T		M10	M12	M16	M20														
Rupture du béton par effet levier ²⁾																			
Coefficient de sécurité d'installation	γ_{inst} [-]	1,0																	
Rupture du bord de l'élément en béton ²⁾																			
Coefficient de sécurité d'installation	γ_{inst} [-]	1,0																	

¹⁾ En l'absence d'autres réglementations nationales

²⁾ Pour une rupture par cône béton et une rupture par fendage voir l'EN 1992-4:2018

Cheville à verrouillage de forme par autoforage HDA	Annexe C11
Performances Résistance caractéristique sous charges de cisaillement, catégorie sismique C1 pour une durée de vie de 50 et 100 ans	

Tableau C12: Valeurs caractéristiques de résistance sous charges de cisaillement, catégorie sismique C1 pour les chevilles HDA-PR et HDA-TR pour une durée de vie de 50 et 100 ans

HDA-PR	M10	M12	M16
Profondeur effective d'ancrage h_{ef} [mm]	100	125	190
Rupture de l'acier			
Facteur de réduction selon l'EN 1992-4:2018 sans Filling Set α_{gap} [-]	0,5		
Facteur de réduction selon l'EN 1992-4:2018 avec Filling Set α_{gap} [-]	1,0		
Résistance caractéristique $V_{Rk,s,C1}$ [kN]	25,2	38,0	76,1
Résistance caractéristique avec le Filling Set $V_{Rk,s,C1}$ [kN]	30,1	45,2	84,8
Coefficient partiel de sécurité $\gamma_{Ms,C1}^{1)}$ [-]	1,33		
HDA-TR	M10	M12	M16
Profondeur effective d'ancrage h_{ef} [mm]	100	125	190
Rupture de l'acier			
Facteur de réduction selon l'EN 1992-4:2018 sans Filling Set α_{gap} [-]	0,5		
Facteur de réduction selon l'EN 1992-4:2018 avec Filling Set α_{gap} [-]	1,0		
Résistance caractéristique pour t_{fix} [mm]	$10 \leq t_{fix} < 20$	$10 \leq t_{fix} < 30$	$30 \leq t_{fix} < 50$
	$15 \leq t_{fix} < 20$	$15 \leq t_{fix} < 30$	$15 \leq t_{fix} < 50$
$V_{Rk,s,C1}$ [kN]	77,3	97,3	109
Résistance caractéristique avec le Filling Set pour t_{fix} [mm]	$10 \leq t_{fix} < 20$	$10 \leq t_{fix} < 30$	$30 \leq t_{fix} < 50$
	$15 \leq t_{fix} < 20$	$15 \leq t_{fix} < 30$	$15 \leq t_{fix} < 50$
$V_{Rk,s,C1}$ [kN]	77,3	97,3	109
Coefficient partiel de sécurité $\gamma_{Ms,C1}^{1)}$ [-]	1,33		
HDA-PR / HDA-TR	M10	M12	M16
Rupture du béton par effet levier ²⁾			
Coefficient de sécurité d'installation γ_{inst} [-]	1,0		
Rupture du bord de l'élément en béton ²⁾			
Coefficient de sécurité d'installation γ_{inst} [-]	1,0		

¹⁾ En l'absence d'autres réglementations nationales

²⁾ Pour une rupture par cône béton et une rupture par fendage voir l'EN 1992-4:2018

Cheville à verrouillage de forme par autoforage HDA

Performances

Résistance caractéristique sous charges de cisaillement, catégorie sismique C1 pour une durée de vie de 50 et 100 ans

Annexe C12

Tableau C13: Valeurs caractéristiques de résistance sous charges de traction, catégorie sismique C2 pour les chevilles HDA-P et HDA-T pour une durée de vie de 50 et 100 ans

HDA-P / HDA-T			M10	M12	M16	M20
Profondeur effective d'ancrage	h_{ef}	[mm]	100	125	190	250
Rupture de l'acier						
Résistance caractéristique	$N_{Rk,s,C2}$	[kN]	46	67	126	192
Coefficient partiel de sécurité	$\gamma_{Ms,C2}^{1)}$	[-]	1,5			
Rupture par extraction						
Résistance caractéristique	$N_{Rk,p,C2}$	[kN]	39,8	55,6	104,2	157,3
Coefficient de sécurité d'installation	γ_{inst}	[-]	1,0			
Rupture par cône béton ²⁾						
Coefficient de sécurité d'installation	γ_{inst}	[-]	1,0			
Facteur	$k_1=k_{cr,N}$	[-]	8,9			
Rupture par fendage ²⁾						
Coefficient de sécurité d'installation	γ_{inst}	[-]	1,0			

¹⁾ En l'absence d'autre réglementation nationale.

²⁾ Pour une rupture par cône béton et une rupture par fendage voir l'EN 1992-4:2018.

Tableau C14: Déplacements sous charges de traction, catégorie sismique C2, HDA-P et HDA-T pour une durée de vie de 50 et 100 ans

HDA-P / HDA-T			M10	M12	M16	M20
Profondeur effective d'ancrage	h_{ef}	[mm]	100	125	190	250
Déplacements DLS	$\delta_{N,C2(DLS)}$	[mm]	4,6	3,2	3,3	1,7
Déplacements ULS	$\delta_{N,C2(ULS)}$	[mm]	11,4	8,3	8,1	6,7

Cheville à verrouillage de forme par autoforage HDA

Performances

Résistance caractéristique et déplacements under seismic actions, seismic category C2 pour une durée de vie de 50 et 100 ans

Annexe C13

Tableau C15: Valeurs caractéristiques de résistance sous charges de traction, catégorie sismique C2 pour les chevilles HDA-PR et HDA-TR pour une durée de vie de 50 et 100 ans

HDA-PR / HDA-TR			M10	M12	M16
Profondeur effective d'ancrage	h_{ef}	[mm]	100	125	190
Rupture de l'acier					
Résistance caractéristique	$N_{Rk,s,C2}$	[kN]	46	67	126
Coefficient partiel de sécurité	$\gamma_{Ms,C2}^{1)}$	[-]	1,6		
Rupture par extraction					
Résistance caractéristique	$N_{Rk,p,C2}$	[kN]	39,8	55,6	104,2
Coefficient de sécurité d'installation	γ_{inst}	[-]	1,0		
Rupture par cône béton ²⁾					
Coefficient de sécurité d'installation	γ_{inst}	[-]	1,0		
Facteur	$k_1=k_{cr,N}$	[-]	8,9		
Rupture par fendage ²⁾					
Coefficient de sécurité d'installation	γ_{inst}	[-]	1,0		

1) En l'absence d'autre réglementation nationale.

2) Pour une rupture par cône béton et une rupture par fendage voir l'EN 1992-4:2018.

Tableau C16: Déplacements sous charges de traction, catégorie sismique C2, HDA-PR et HDA-TR pour une durée de vie de 50 et 100 ans

HDA-PR / HDA-TR			M10	M12	M16
Profondeur effective d'ancrage	h_{ef}	[mm]	100	125	190
Déplacements DLS	$\delta_{N,C2} (DLS)$	[mm]	4,6	3,2	3,3
Déplacements ULS	$\delta_{N,C2} (ULS)$	[mm]	11,4	8,3	8,1

Cheville à verrouillage de forme par autoforage HDA

Performances

Résistance caractéristique et déplacements under seismic actions, seismic category C2 pour une durée de vie de 50 et 100 ans

Annexe C14

Tableau C17: Valeurs caractéristiques de résistance sous charges de cisaillement, catégorie sismique C2 pour les chevilles HDA-P et HDA-T pour une durée de vie de 50 et 100 ans

HDA-P		M10	M12	M16	M20									
Profondeur effective d'ancrage	h_{ef} [mm]	100	125	190	250									
Rupture de l'acier														
Facteur de réduction selon l'EN 1992-4:2018 sans Filling Set	α_{gap} [-]	0,5												
Facteur de réduction selon l'EN 1992-4:2018 avec Filling Set	α_{gap} [-]	1,0												
Résistance caractéristique	$V_{Rk,s,C2}$ [kN]	23,8	27,8	56,0	83,0									
Résistance caractéristique avec Filling Set	$V_{Rk,s,C2}$ [kN]	23,8	33,7	61,6	92,6									
Coefficient partiel de sécurité	$\gamma_{Ms,C2}^{1)}$ [-]	1,25												
HDA-T		M10	M12	M16	M20									
Profondeur effective d'ancrage	h_{ef} [mm]	100	125	190	250									
Rupture de l'acier														
Facteur de réduction selon l'EN 1992-4:2018 sans Filling Set	α_{gap} [-]	0,5												
Facteur de réduction selon l'EN 1992-4:2018 avec Filling Set	α_{gap} [-]	1,0												
Résistance caractéristique	pour t_{fix} [mm]	10 ≤ < 15	15 ≤ < 20	10 ≤ < 15	15 ≤ < 20	20 ≤ < 50	15 ≤ < 25	25 ≤ < 30	30 ≤ < 35	35 ≤ < 60	20 ≤ < 25	25 ≤ < 40	40 ≤ < 55	55 ≤ < 100
	$V_{Rk,s,C2}$ [kN]	36,5	42,0	54,3	56,0	70,0	84,0	93,0	102,0	114,0	127,9	144,0	165,0	175,0
Résistance caractéristique avec Filling Set	pour t_{fix} [mm]	10 ≤ < 15	15 ≤ < 20	10 ≤ < 15	15 ≤ < 20	20 ≤ < 50	15 ≤ < 25	25 ≤ < 30	30 ≤ < 35	35 ≤ < 60	20 ≤ < 25	25 ≤ < 40	40 ≤ < 55	55 ≤ < 100
	$V_{Rk,s,C2}$ [kN]	36,5	42,0	54,3	56,0	70,0	84,0	93,0	102,0	114,0	127,9	144,0	165,0	175,0
Coefficient partiel de sécurité	$\gamma_{Ms,C2}^{1)}$	1,5												
HDA-P / HDA-T		M10	M12	M16	M20									
Rupture du béton par effet levier ²⁾														
Coefficient de sécurité d'installation	γ_{inst} [-]	1,0												
Rupture du bord de l'élément en béton ²⁾														
Coefficient de sécurité d'installation	γ_{inst} [-]	1,0												

¹⁾ En l'absence d'autre réglementation nationale.

²⁾ Pour une rupture par cône béton et une rupture par fendage voir l'EN 1992-4:2018.

Cheville à verrouillage de forme par autoforage HDA

Performances

Résistance caractéristique et déplacements sous action sismique, catégorie sismique C2 pour une durée de vie de 50 et 100 ans

Annexe C15

Tableau C18: Déplacements sous charges de cisaillement, catégorie sismique C2 pour les chevilles HDA-P et HDA-T pour une durée de vie de 50 et 100 ans

HDA-P / HDA-T			M10	M12	M16	M20
Profondeur effective d'ancrage	h_{ef}	[mm]	100	125	190	250
Déplacements DLS HDA-P	$\delta_{v,C2(DLS)}$	[mm]	1,8	2,0	3,0	3,4
Déplacements DLS HDA-P avec Filling Set	$\delta_{v,C2(DLS)}$	[mm]	1,8	2,0	3,0	3,4
Déplacements ULS HDA-P	$\delta_{v,C2(ULS)}$	[mm]	3,7	4,2	6,5	7,9
Déplacements ULS HDA-P avec Filling Set	$\delta_{v,C2(ULS)}$	[mm]	3,7	4,2	6,5	7,9
Déplacements DLS HDA-T	$\delta_{v,C2(DLS)}$	[mm]	2,0	2,3	3,1	3,8
Déplacements DLS HDA-T avec Filling Set	$\delta_{v,C2(DLS)}$	[mm]	2,0	2,3	3,1	3,8
Déplacements ULS HDA-T	$\delta_{v,C2(ULS)}$	[mm]	4,4	6,0	9,8	16,3
Déplacements ULS HDA-T avec Filling Set	$\delta_{v,C2(ULS)}$	[mm]	4,4	6,0	9,8	16,3

Cheville à verrouillage de forme par autoforage HDA

Performances

Résistance caractéristique et déplacements sous action sismique, catégorie sismique C2 pour une durée de vie de 50 et 100 ans

Annexe C16

Tableau C19: Valeurs caractéristiques de résistance sous charges de cisaillement, catégorie sismique C2 pour les chevilles HDA-PR et HDA-TR pour une durée de vie de 50 et 100 ans

HDA-PR		M10	M12					M16	
Profondeur effective d'ancrage	h_{ef} [mm]	100	125					190	
Rupture de l'acier									
Facteur selon l'EN 1992-4:2018 sans Filling Set	α_{gap} [-]	0,5							
Facteur selon l'EN 1992-4:2018 avec Filling Set	α_{gap} [-]	1,0							
Résistance caractéristique	$V_{Rk,s,C2}$ [kN]	23,2	28,9					57,0	
Résistance caractéristique avec Filling Set	$V_{Rk,s,C2}$ [kN]	23,2	36,1					72,8	
Coefficient partiel de sécurité	$\gamma_{Ms,C2}^{1)}$ [-]	1,33							
HDA-TR		M10	M12					M16	
Profondeur effective d'ancrage	h_{ef} [mm]	100	125					190	
Rupture de l'acier									
Facteur selon l'EN 1992-4:2018 sans Filling Set	α_{gap} [-]	0,5							
Facteur selon l'EN 1992-4:2018 avec Filling Set	α_{gap} [-]	1,0							
Résistance caractéristique	pour t_{fix} [mm]	10 ≤	10 ≤	20 ≤	30 ≤	15 ≤	25 ≤	35 ≤	
		≤ 20	< 20	< 30	≤ 50	< 25	< 35	≤ 60	
	$V_{Rk,s,C2}$ [kN]	43,0	61,0	66,0	76,0	91,0	95,0	102,0	
Résistance caractéristique avec Filling Set	pour t_{fix} [mm]	10 ≤	10 ≤	20 ≤	30 ≤	15 ≤	25 ≤	35 ≤	
		≤ 20	< 20	< 30	≤ 50	< 25	< 35	≤ 60	
	$V_{Rk,s,C2}$ [kN]	43,0	61,0	66,0	76,0	91,0	95,0	102,0	
Coefficient partiel de sécurité	$\gamma_{Ms,C2}^{1)}$ [-]	1,33							
HDA-PR / HDA-TR		M10	M12					M16	
Rupture du béton par effet levier ²⁾									
Coefficient de sécurité d'installation	γ_{inst} [-]	1,0							
Rupture du bord de l'élément en béton ²⁾									
Coefficient de sécurité d'installation	γ_{inst} [-]	1,0							

¹⁾ En l'absence d'autre réglementation nationale.

²⁾ Pour une rupture par cône béton et une rupture par fendage voir l'EN 1992-4:2018

Cheville à verrouillage de forme par autoforage HDA

Performances

Résistance caractéristique et déplacements sous action sismique, catégorie sismique C2 pour une durée de vie de 50 et 100 ans

Annexe C17

Tableau C20 : Valeurs caractéristiques de résistance sous charges de cisaillement, catégorie sismique C2 pour les chevilles HDA-PR et HDA-TR pour une durée de vie de 50 et 100 ans

HDA-PR / HDA-TR			M10	M12	M16
Profondeur effective d'ancrage	h_{ef}	[mm]	100	125	190
Déplacements DLS HDA-PR	$\delta_{V,C2(DLS)}$	[mm]	1,8	2,0	3,0
Déplacements DLS HDA-PR avec le Filling set	$\delta_{V,C2(DLS)}$	[mm]	1,8	2,0	3,0
Déplacements ULS HDA-PR	$\delta_{V,C2(ULS)}$	[mm]	3,7	4,2	6,5
Déplacements ULS HDA-PR avec le Filling set	$\delta_{V,C2(DLS)}$	[mm]	3,7	4,2	6,5
Déplacements DLS HDA-TR	$\delta_{V,C2(DLS)}$	[mm]	2,0	2,3	3,1
Déplacements DLS HDA-TR avec le Filling set	$\delta_{V,C2(DLS)}$	[mm]	2,0	2,3	3,1
Déplacements ULS HDA-TR	$\delta_{V,C2(ULS)}$	[mm]	4,4	6,0	9,8
Déplacements ULS HDA-TR avec le Filling set	$\delta_{V,C2(ULS)}$	[mm]	4,4	6,0	9,8

Cheville à verrouillage de forme par autoforage HDA

Performances

Résistance caractéristique et déplacements sous action sismique, catégorie sismique C2 pour une durée de vie de 50 et 100 ans

Annexe C18

Tableau C21: Résistance caractéristique en traction sous exposition au feu dans le béton fissuré pour les chevilles HDA-P et HDA-T pour une durée de vie de 50 et 100 ans

HDA-P / HDA-T				M10	M12	M16	M20
Profondeur effective d'ancrage	h_{ef}	[mm]		100	125	190	250
Rupture de l'acier							
Résistance caractéristique	R30	$N_{Rk,s,fi}$	[kN]	0,87	1,69	3,14	4,81
	R60	$N_{Rk,s,fi}$	[kN]	0,75	1,26	2,36	3,61
	R90	$N_{Rk,s,fi}$	[kN]	0,58	1,10	2,04	3,13
	R120	$N_{Rk,s,fi}$	[kN]	0,46	0,84	1,57	2,41
Rupture par extraction							
Résistance caractéristique $\geq C20/25$	R30	$N_{Rk,p,fi}$	[kN]	10,5	16,3	30,0	45,0
	R60	$N_{Rk,p,fi}$	[kN]				
	R90	$N_{Rk,p,fi}$	[kN]				
	R120	$N_{Rk,p,fi}$	[kN]	8,4	13,0	24,0	36,0
Rupture par cône béton							
Résistance caractéristique $\geq C20/25$	R30	$N_{Rk,s,fi}$	[kN]	$h_{ef} / 200 \cdot N^0_{Rk,c} \leq N^0_{Rk,c}$			
	R60	$N_{Rk,c,fi}$	[kN]				
	R90	$N_{Rk,c,fi}$	[kN]				
	R120	$N_{Rk,c,fi}$	[kN]	$0,8 \cdot h_{ef} / 200 \cdot N^0_{Rk,c} \leq N^0_{Rk,c}$			
Facteur	$k_1 = k_{cr,N}$	[-]	8,9				
Espacement	$s_{cr,N,fi}$	[mm]	$4,0 \cdot h_{ef}$				
	s_{min}	[mm]	80	90	120	150	
Distance du bord	$c_{cr,N,FI}$	[mm]	$2,0 \cdot h_{ef}$				
	c_{min}	[mm]	Si le feu attaque d'un côté: $2 h_{ef}$ Si le feu attaque de plus d'un côté : ≥ 300 mm				

En l'absence d'autres réglementations nationales, le coefficient partiel de sécurité pour la résistance à l'exposition au feu $\gamma_{M,fi} = 1,0$ est recommandé

Cheville à verrouillage de forme par autoforage HDA

Annexe C19

Performance

Résistance caractéristique en traction sous exposition au feu pour une durée de vie de 50 et 100 ans

Tableau C22: Résistance caractéristique en traction sous exposition au feu dans le béton fissuré pour les chevilles HDA-PR et HDA-TR pour une durée de vie de 50 et 100 ans

HDA-PR / HDA-TR				M10	M12	M16
Profondeur effective d'ancrage	h_{ef}	[mm]		100	125	190
Rupture de l'acier						
Résistance caractéristique	R30	$N_{Rk,s,fi}$	[kN]	1,45	2,53	4,71
	R60	$N_{Rk,s,fi}$	[kN]	1,16	2,11	3,93
	R90	$N_{Rk,s,fi}$	[kN]	0,93	1,69	3,14
	R120	$N_{Rk,s,fi}$	[kN]	0,81	1,35	2,51
Rupture par extraction						
Résistance caractéristique $\geq C20/25$	R30	$N_{Rk,p,fi}$	[kN]	10,5	16,3	30,0
	R60	$N_{Rk,p,fi}$	[kN]			
	R90	$N_{Rk,p,fi}$	[kN]			
	R120	$N_{Rk,p,fi}$	[kN]	8,4	13,0	24,0
Rupture par cône béton						
Résistance caractéristique $\geq C20/25$	R30	$N_{Rk,c,fi}$	[kN]	$h_{ef} / 200 \cdot N^0_{Rk,c} \leq N^0_{Rk,c}$		
	R60	$N_{Rk,c,fi}$	[kN]			
	R90	$N_{Rk,c,fi}$	[kN]			
	R120	$N_{Rk,c,fi}$	[kN]	$0,8 \cdot h_{ef} / 200 \cdot N^0_{Rk,c} \leq N^0_{Rk,c}$		
Facteur	$k_1 = k_{cr,N}$	[-]	8,9			
Espacement	$s_{cr,N,fi}$	[mm]	$4,0 \cdot h_{ef}$			
	s_{min}	[mm]	80	90	120	
Distance du bord	$c_{cr,N,FI}$	[mm]	$2,0 \cdot h_{ef}$			
	c_{min}	[mm]	Si le feu attaque d'un côté: $2 \cdot h_{ef}$ Si le feu attaque de plus d'un côté : ≥ 300 mm			

En l'absence d'autres réglementations nationales, le coefficient partiel de sécurité pour la résistance à l'exposition au feu $\gamma_{M,fi} = 1,0$ est recommandé

Cheville à verrouillage de forme par autoforage HDA	Annexe C20
Performance Résistance caractéristique en traction sous exposition au feu pour une durée de vie de 50 et 100 ans	

Tableau C23: Résistance caractéristique en cisaillement sous exposition au feu dans le béton fissuré pour les chevilles HDA-P et HDA-T pour une durée de vie de 50 et 100 ans

HDA-P			M10	M12	M16	M20
Profondeur effective d'ancrage	h_{ef}	[mm]	100	125	190	250
Rupture de l'acier						
Résistance caractéristique	R30	$V_{Rk,s,fi}$ [kN]	0,87	1,69	3,14	4,81
	R60	$V_{Rk,s,fi}$ [kN]	0,75	1,26	2,36	3,61
	R90	$V_{Rk,s,fi}$ [kN]	0,58	1,10	2,04	3,13
	R120	$V_{Rk,s,fi}$ [kN]	0,46	0,84	1,57	2,41
Rupture de l'acier avec bras de levier						
Résistance caractéristique	R30	$M^0_{Rk,s,fi}$ [Nm]	1,12	2,62	6,66	12,63
	R60	$M^0_{Rk,s,fi}$ [Nm]	0,97	1,97	4,99	9,47
	R90	$M^0_{Rk,s,fi}$ [Nm]	0,75	1,70	4,33	8,21
	R120	$M^0_{Rk,s,fi}$ [Nm]	0,60	1,31	3,33	6,31
HDA-T			M10	M12	M16	M20
Profondeur effective d'ancrage	h_{ef}	[mm]	100	125	190	250
Rupture de l'acier						
Résistance caractéristique		pour t_{fix} [mm]	$10 \leq \leq 20$	$10 \leq \leq 50$	$15 \leq \leq 60$	$20 \leq \leq 100$
	R30	$V_{Rk,s,fi}$ [kN]	3,88	6,23	12,12	17,77
	R60	$V_{Rk,s,fi}$ [kN]	3,36	4,67	9,09	13,32
	R90	$V_{Rk,s,fi}$ [kN]	2,59	4,05	7,88	11,55
	R120	$V_{Rk,s,fi}$ [kN]	2,07	3,12	6,06	8,88
Rupture de l'acier avec bras de levier						
Résistance caractéristique		pour t_{fix} [mm]	$10 \leq \leq 20$	$10 \leq \leq 50$	$15 \leq \leq 60$	$20 \leq \leq 100$
	R30	$M^0_{Rk,s,fi}$ [Nm]	12,31	22,11	58,80	102,88
	R60	$M^0_{Rk,s,fi}$ [Nm]	10,67	16,59	44,10	77,16
	R90	$M^0_{Rk,s,fi}$ [Nm]	8,21	14,37	38,22	66,87
	R120	$M^0_{Rk,s,fi}$ [Nm]	6,57	11,06	29,40	51,44

En l'absence d'autres réglementations nationales, le coefficient partiel de sécurité pour la résistance à l'exposition au feu $\gamma_{M,fi} = 1,0$ est recommandé

Cheville à verrouillage de forme par autoforage HDA

Performance

Résistance caractéristique en cisaillement sous exposition au feu pour une durée de vie de 50 et 100 ans

Annexe C21

Tableau C23: Suite

HDA-P / HDA-T		M10	M12	M16	M20
Profondeur effective d'ancrage	h_{ef} [mm]	100	125	190	250
Rupture de l'acier avec bras de levier					
Facteur d'effet levier	k_8 [-]	2,0			
Résistance caractéristique $\geq C20/25$	R30 $V_{Rk,cp,fi}$ [kN]	39,8	69,5	198,1	314,7
	R60 $V_{Rk,cp,fi}$ [kN]				
	R90 $V_{Rk,cp,fi}$ [kN]				
	R120 $V_{Rk,cp,fi}$ [kN]				
Rupture du bord de l'élément en béton					
La valeur initiale $V_{Rk,c,fi}^0$ de la résistance caractéristique dans du béton C20/25 à C50/60 sous exposition au feu peut être déterminée par: $V_{Rk,c,fi}^0 = 0,25 \times V_{Rk,c}^0$ ($\leq R90$) $V_{Rk,c,fi}^0 = 0,20 \times V_{Rk,c}^0$ (R120) avec $V_{Rk,c}^0$ la valeur initiale $V_{Rk,c,fi}^0$ de la résistance caractéristique dans du béton fissuré C20/25 sous température normale					

En l'absence d'autres réglementations nationales, le coefficient partiel de sécurité pour la résistance à l'exposition au feu $\gamma_{M,fi} = 1,0$ est recommandé

Cheville à verrouillage de forme par autoforage HDA	Annexe C22
Performance Résistance caractéristique en cisaillement sous exposition au feu pour une durée de vie de 50 et 100 ans	

Tableau C24: Résistance caractéristique en cisaillement sous exposition au feu dans le béton fissuré pour les chevilles HDA-PR et HDA-TR pour une durée de vie de 50 et 100 ans

HDA-PR			M10	M12	M16
Profondeur effective d'ancrage	h_{ef}	[mm]	100	125	190
Rupture de l'acier					
Résistance caractéristique	R30	$V_{Rk,s,fi}$ [kN]	1,45	2,53	4,71
	R60	$V_{Rk,s,fi}$ [kN]	1,16	2,11	3,93
	R90	$V_{Rk,s,fi}$ [kN]	0,93	1,69	3,14
	R120	$V_{Rk,s,fi}$ [kN]	0,81	1,35	2,51
Rupture de l'acier avec bras de levier					
Résistance caractéristique	R30	$M^0_{Rk,s,fi}$ [Nm]	1,87	3,93	9,99
	R60	$M^0_{Rk,s,fi}$ [Nm]	1,50	3,28	8,32
	R90	$M^0_{Rk,s,fi}$ [Nm]	1,20	2,62	6,66
	R120	$M^0_{Rk,s,fi}$ [Nm]	1,05	2,10	5,33
HDA-TR			M10	M12	M16
Profondeur effective d'ancrage	h_{ef}	[mm]	100	125	190
Rupture de l'acier					
Résistance caractéristique		pour t_{fix} [mm]	$10 \leq \leq 20$	$10 \leq \leq 50$	$15 \leq \leq 60$
	R30	$V_{Rk,s,fi}$ [kN]	6,47	9,35	18,18
	R60	$V_{Rk,s,fi}$ [kN]	5,18	7,79	15,15
	R90	$V_{Rk,s,fi}$ [kN]	4,14	6,23	12,12
	R120	$V_{Rk,s,fi}$ [kN]	3,62	4,98	9,69
Rupture de l'acier avec bras de levier					
Résistance caractéristique		pour t_{fix} [mm]	$10 \leq \leq 20$	$10 \leq \leq 50$	$15 \leq \leq 60$
	R30	$M^0_{Rk,s,fi}$ [Nm]	20,52	33,17	88,20
	R60	$M^0_{Rk,s,fi}$ [Nm]	16,42	27,64	73,50
	R90	$M^0_{Rk,s,fi}$ [Nm]	13,13	22,11	58,80
	R120	$M^0_{Rk,s,fi}$ [Nm]	11,49	17,69	47,04

En l'absence d'autres réglementations nationales, le coefficient partiel de sécurité pour la résistance à l'exposition au feu $\gamma_{M,fi} = 1,0$ est recommandé

Cheville à verrouillage de forme par autoforage HDA

Performance

Résistance caractéristique en cisaillement sous exposition au feu pour une durée de vie de 50 et 100 ans

Annexe C23

Tableau C24: Suite

HDA-PR / HDA-TR		M10	M12	M16
Profondeur effective d'ancrage	h_{ef} [mm]	100	125	190
Rupture du béton par effet levier				
Facteur d'effet levier	k_8 [-]	2,0		
Résistance caractéristique	R30 $V_{Rk,cp,fi}$ [kN]	39,8	69,5	198,1
	R60 $V_{Rk,cp,fi}$ [kN]			
	R90 $V_{Rk,cp,fi}$ [kN]			
	R120 $V_{Rk,cp,fi}$ [kN]			
Rupture du bord de l'élément en béton				
La valeur initiale $V^0_{Rk,c,fi}$ de la résistance caractéristique dans du béton C20/25 à C50/60 sous exposition au feu peut être déterminée par:				
$V^0_{Rk,c,fi} = 0,25 \times V^0_{Rk,c}$ ($\leq R90$) $V^0_{Rk,c,fi} = 0,20 \times V^0_{Rk,c}$ (R120)				
avec $V^0_{Rk,c}$ la valeur initiale $V^0_{Rk,c,fi}$ de la résistance caractéristique dans du béton fissuré C20/25 sous température normale				

En l'absence d'autres réglementations nationales, le coefficient partiel de sécurité pour la résistance à l'exposition au feu $\gamma_{M,fi} = 1,0$ est recommandé

Cheville à verrouillage de forme par autoforage HDA

Performance

Résistance caractéristique en cisaillement sous exposition au feu pour une durée de vie de 50 et 100 ans

Annexe C24