



HILTI HUS4 CONCRETE SCREW

for temporary fastening

DIBt Z-21.8-2137 (27.03.2025)

English 2-17

Deutsch 18-33

Public-law institution jointly founded by the
federal states and the Federation

Technical authority granting approvals
and permits for construction products
and construction techniques

Date: 27 March 2025 | Reference number:
25-1.21.8-80/24

General construction technique permit

Number:
Z-21.8-2137

Applicant:
Hilti Deutschland AG
Hiltistraße 2
86916 Kaufering, Germany

Validity
from: **27 March 2025**
to: **21 December 2026**

Subject of decision:
Hilti concrete screw HUS4 for temporary fastening in concrete

The subject named above is herewith granted a general construction technique permit (*allgemeine Bauartgenehmigung*).

This decision contains five pages and eleven annexes.

This general construction technique permit replaces general construction technique permit no. Z-21.8-2137 of 21 December 2021. The subject concerned was granted approval for the first time on 21 December 2021.

Translation authorised by DIBt

DIBt

I GENERAL PROVISIONS

- 1 The general construction technique permit confirms the fitness for application of the subject concerned within the meaning of the Building Codes of the federal states (*Landesbauordnungen*).
- 2 This decision does not replace the permits, approvals and certificates required by law for carrying out construction projects.
- 3 This decision is granted without prejudice to the rights of third parties, in particular private property rights.
- 4 Notwithstanding further provisions in the 'Special Provisions', copies of this decision shall be made available to the installer of the subject concerned. Furthermore, the installer of the subject concerned shall be made aware of the fact that this decision must be made available at the place of application. Upon request, copies of the decision shall be provided to the authorities involved.
- 5 This decision shall be reproduced in full only. Partial publication requires the consent of DIBt. Texts and drawings in promotional material shall not contradict this decision. In the event of a discrepancy between the German original and this authorised translation, the German version shall prevail.
- 6 This decision may be revoked. The provisions contained herein may subsequently be supplemented and amended, in particular if this is required by new technical findings.
- 7 This decision is based on the information and documents provided by the applicant on the subject concerned during the permit procedure. Alterations to the information on which this general construction technique permit was based are not covered by this decision and shall be notified to DIBt without delay.

II SPECIAL PROVISIONS

1 Subject concerned and field of application

1.1 Subject concerned

The subject concerned is the Hilti concrete screw HUS4 (hereinafter referred to as fastener) in sizes 8, 10, 12, 14 and 16 mm in accordance with European Technical Assessment ETA-20/0867 of 11 February 2025. The Hilti concrete screw HUS4 is a special screw with a hexagon head or a thread connection made of galvanised steel.

For anchoring, the fastener is screwed into a predrilled cylindrical drill hole. The special thread of the fastener cuts a thread into the base material while setting. The anchorage is characterised by mechanical interlock of the special thread in the concrete.

The installed anchor is shown in Annex 1.

1.2 Field of application

The fastener may be used for anchoring in reinforced and unreinforced normal weight concrete with a minimum strength class of C20/25 and a maximum strength class of C50/60 in accordance with DIN EN 206-1:2001-07 'Concrete – Part 1: Definition, properties, production and conformity'. The screw may be fastened and loaded before the required characteristic concrete strength has been reached subject to verification in accordance with Section 2.3.1.

The fastener shall only be applied for temporary fastening of construction site equipment, such as shoring props, fall protection devices or scaffolds. After it has been unscrewed, the fastener may be reused in other drill holes. However, a drilled hole shall not be reused after the fastener has been removed. Reusability of the fastener shall be checked prior to every use, both visually as well as with a sleeve setting jig in accordance with Section 2.3.3. Installed fasteners shall be checked for visible damage (for example due to corrosion) on an ongoing basis and replaced if required.

The fastener may be used in cracked and uncracked concrete.

The fastener is intended for temporary use in internal and external conditions.

2 Provisions for planning, design and execution

2.1 Planning

The anchorages shall be planned in line with good engineering practice. Verifiable calculations and design drawings shall be prepared taking into account the loads to be anchored.

The design drawings shall contain the exact positions as well as size of the fasteners.

The minimum spacing of the fastener (spacing and edge distances) as well as the minimum member thicknesses in accordance with Annexes 6, 7 and 8 shall be observed.

2.2 Design

2.2.1 General

The present design provisions cover the verification of the immediate local force transmission into the concrete. Transfer of the loads to be anchored in the member shall be verified separately.

Additional loads that may arise in the screw, in the fixture or in the member in which the screw is fastened due to constraint (e.g. due to temperature fluctuations) shall be taken into account.

2.2.2 Verifications with resistances for all load directions

For the combinations 1 and 2 of the edge distance c_1 and the member thickness h_{\min} as given in Annexes 6, 7 and 8, Tables 5, 6 and 7, it shall be verified that the design action F_{Ed} does not exceed the design resistance F_{Rd} . The following verification shall be provided:

$$\frac{F_{Ed}}{F_{Rd}} \leq 1.0$$

Here, the design resistances shall apply to all load directions irrespective of the failure mode. The resistances are listed in Annex 11, Table 8, depending on the screw size, the embedment depth and the concrete compressive strength f_{ck} .

2.2.3 Verifications with separate resistances for axial tension and shear

For the combination 3 of the edge distance c_1 and the member thickness h_{\min} as given in Annexes 6, 7 and 8, Tables 5, 6 and 7, it shall be verified that the design actions N_{Ed} and V_{Ed} do not exceed the design resistances N_{Rd} and V_{Rd} .

The following verifications shall be provided:

$$\frac{N_{Ed}}{N_{Rd}} \leq 1.0 \qquad \frac{V_{Ed}}{V_{Rd}} \leq 1.0$$

The design resistances shall apply to all failure modes. The resistances are listed in Annex 11, Table 9, depending on the screw size, the embedment depth and the concrete compressive strength f_{ck} .

If a combined tension and shear load (diagonal load) is present, the following interaction conditions apply, which shall be fulfilled additionally:

$$\frac{N_{Ed}}{N_{Rd}} + \frac{V_{Ed}}{V_{Rd}} \leq 1.2$$

$$\text{or} \quad \left(\frac{N_{Ed}}{N_{Rd}}\right)^{1.5} + \left(\frac{V_{Ed}}{V_{Rd}}\right)^{1.5} \leq 1.0$$

2.3 Execution

2.3.1 General

The fastener shall be installed in accordance with the design drawings prepared in accordance with Section 2.1.

The setting instructions on drilling and cleaning the hole and the reuse and installation of the concrete screw as specified in Annexes 9 and 10 shall be observed.

The screw may be used in young concrete before the characteristic concrete compressive strength f_{ck} of the nominal strength class has been reached. In this case, the concrete compressive strength shall have reached a value of $f_{ck} \geq 8$ MPa.

The installer of the construction technique or the executing company shall provide a declaration of conformity in accordance with Sections 16a(5) and 21(2) of the Model Building Code to confirm the conformity of the construction technique with this general construction technique permit.

2.3.2 Drilling of hole and cleaning

The drill hole shall be positioned taking into account the position of the reinforcement to ensure that the latter remains undamaged.

The hole shall be drilled perpendicular to the concrete surface using carbide masonry drill bits. The carbide masonry drill bit shall meet the specifications of the January 2002 version of the DIBt leaflet 'Characteristic values, requirements and tests for masonry drills with carbide drill bits used for drilling holes for anchoring' (*Kennwerte, Anforderungen und Prüfungen von Mauerbohrern mit Schneidkörpern aus Hartmetall, die zur Herstellung der Bohrlöcher von Dübelverankerungen verwendet werden*). Compliance with the drill bit characteristic values

shall be verified by means of a certification mark of the PMG Masonry Drill Bit Certification Board, Remscheid, Germany (see Leaflet, Section 5).

The nominal diameter of the drill bit, cutting diameter and hole depth shall correspond to the values given in Annexes 6, 7 and 8, Tables 5, 6 and 7. The drilling dust shall be removed from the drill hole when the concrete screws are installed in wall and floor position. The drill hole does not need to be cleaned if it is drilled vertically upwards. The drill hole also does not need to be cleaned if the hole is drilled vertically downwards or horizontally and then ventilated three times as described in Annex 9 after it has been drilled.

If a hole is drilled incorrectly, a new hole shall be drilled at a distance of at least twice the depth of the incorrect hole.

2.3.3 Installation of screw

The fastener is only intended for temporary application in a single drill hole. After it has been unscrewed, it may be reused in other drill holes. However, it may not be screwed into the same drill hole for a second time.

Prior to every reuse, the wear of the thread shall be verified with an appropriate sleeve setting jig, type HRG. The fastener shall only be reused under the condition that it will penetrate the sleeve only so far that it does not protrude at the rear of the sleeve (see Annex 9). Screws which are visibly damaged, e.g. due to corrosion, shall not be reused.

The fastener may be screwed in using a torque impact screw driver.

To prevent the screw from spinning, the screw driver with a power output in the upper range shall be equipped with an automatic cut-off device, e.g. via a depth stop.

The fastener is installed correctly if

- the base plate (fixture) is screwed flush against the concrete without an intermediate layer,
- the fastener head is fully in contact with the base plate,
- the fastener cannot easily be turned further,
- the embedment depth h_{nom} is adhered to.

2.3.4 Inspection of execution

During installation of the fasteners, the contractor commissioned to anchor them or the site manager assigned by the contractor or a competent representative of the site manager shall be present at the construction site. They shall ensure that the work is carried out properly.

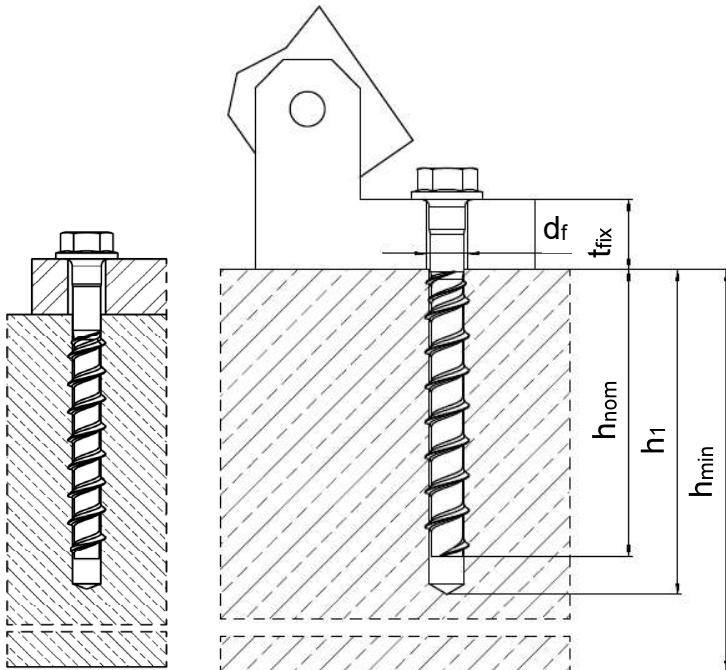
During the installation of the fasteners, the site manager or the site manager's representative shall document that the existing concrete compressive strength in accordance with Section 2.3.1 and the proper installation of the fastener have been verified. The installed fastener shall be checked regularly by the site manager or the site manager's representative in accordance with Section 1.2. The results shall be recorded.

The records shall be available at the construction site during the construction period and shall be submitted to the inspection supervisor upon request. Like the delivery notes, they shall be kept by the executing company for a minimum of 5 years after completion of the project.

Dipl.-Ing. Beatrix Wittstock
Head of Section

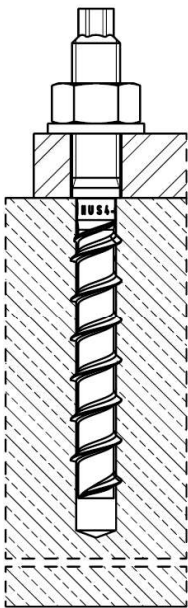
Drawn up by
Tempel

Installed condition



HUS4-H (hexagon head configuration
 sizes 8, 10, 12, 14 and 16)
 HUS4T-H (hexagon head configuration
 sizes 8 and 10)

- d_f : Diameter of clearance hole
- t_{fix} : Thickness of fixture
- h_{nom} : Nominal embedment depth
- h_1 : Drill hole depth
- h_{min} : Minimum member thickness



HUS4-A
 (external thread configuration
 size 10 with M12 and 14 with M16)

Hilti concrete screw HUS4 for temporary fastening in concrete

Product description
 Installed condition

Annex 1

Table 1: Screw types


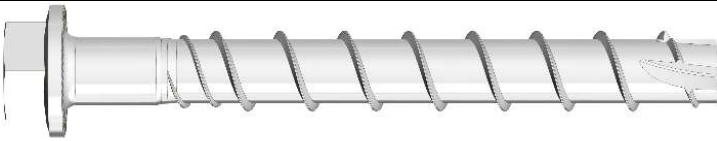

Hilti HUS4-H, sizes 8, 10, 12, 14 and 16, hexagon head configuration, galvanised

Hilti HUS4T-H, sizes 8 and 10, hexagon head configuration, galvanised

Hilti HUS4-A, size 10 with external thread M12 und size 14 with external thread M16, galvanised


Table 2: Material

Part	Material
HUS4 concrete screw (all types listed in Table 1)	Carbon steel Elongation at break $A_5 \leq 8\%$

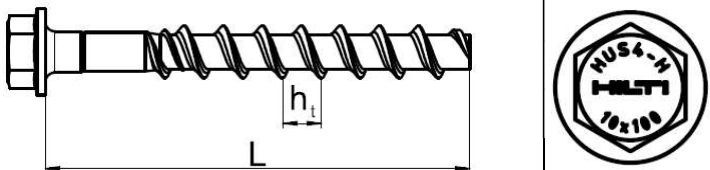
Hilti concrete screw HUS4 for temporary fastening in concrete

Product description
 Screw types, dimensions, marking, material

Annex 2

Table 3: Fastener dimension and head marking HUS4-H and HUS4T-H

Size HUS4	T-H 8	(T)-H 8			(T)-H 10			-H 12			-H 14			-H 16	
Nominal fastener diameter d [mm]	8			10			12			14			16		
Pitch of the thread h _t [mm]	8			10			12			14			13.2		
Nominal embedment depth h _{nom} [mm]	h _{nom1}	h _{nom2}	h _{nom3}	h _{nom1}	h _{nom2}	h _{nom3}	h _{nom1}	h _{nom2}	h _{nom3}	h _{nom1}	h _{nom2}	h _{nom3}	h _{nom1}	h _{nom2}	
	50	60	70	55	75	85	60	80	100	65	85	115	85	130	
Length of screw min / max L [mm]	65 / 150			60 / 305			70 / 150			75 / 150			100 / 205		

	HUS4: Hilti universal screw, 4 th generation
	H: Hexagon head, galvanised
	10: Nominal screw diameter d [mm]
	100: Length of screw [mm]

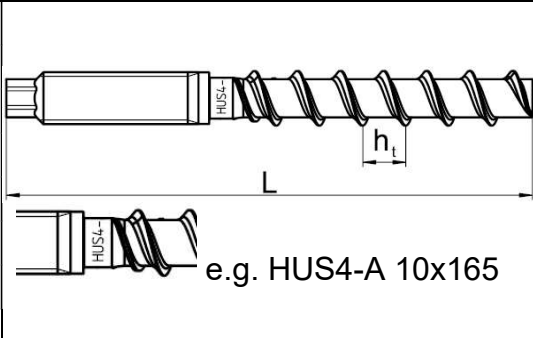
Hilti concrete screw HUS4 for temporary fastening in concrete

Product description
 Dimensions, marking

Annex 3

Table 4: Fastener dimensions and marking HUS4-A

Size HUS4			-A 10			-A 14		
Nominal fastener diameter	d	[mm]	10			14		
Metric thread connection			M12			M16		
Pitch of the thread	h _t	[mm]	10			14		
Nominal embedment depth	h _{nom}	[mm]	h _{nom1}	h _{nom2}	h _{nom3}	h _{nom1}	h _{nom2}	h _{nom3}
			55	75	85	65	80	115
Length of screw min / max	L	[mm]	120 / 165			155 / 205		

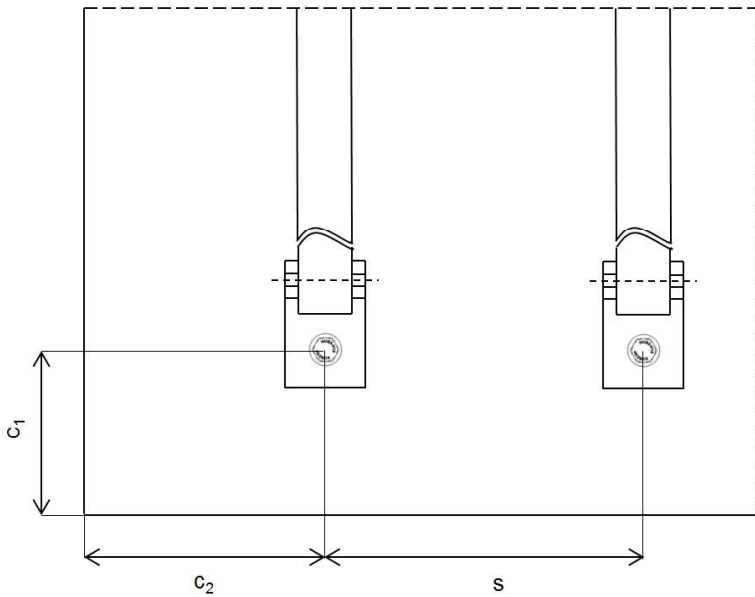
	HUS4: Hilti universal screw, 4 th generation					
	A: External thread, galvanised					
	10: Nominal screw diameter d [mm]					
	165: Length of screw L [mm]					
	8: Carbon steel					
	K: Length identification HUS4-A 10x165					
	G	I	K	J	L	N
10 x 120	10 x 140	10 x 165	14 x 155	14 x 185	14 x 205	

Hilti concrete screw HUS4 for temporary fastening in concrete

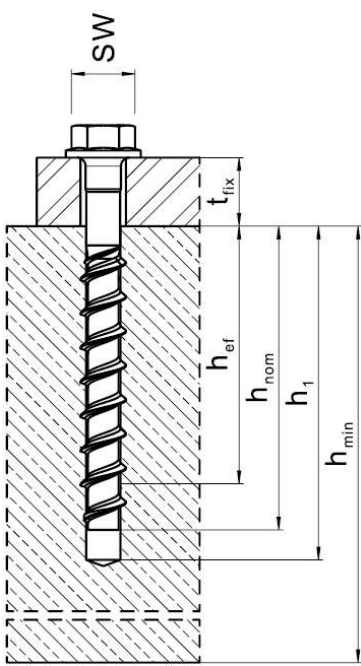
Product description
 Dimensions, marking

Annex 4

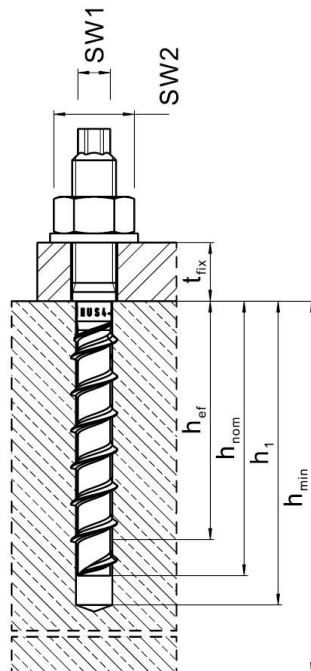
Installation parameters



Dimensions c_1 , c_2 and s ,
 see Tables 5 to 7



HUS4(T)-H



HUS4-A

Hilti concrete screw HUS4 for temporary fastening in concrete

Intended use
 Installation parameters

Annex 5

Table 5: Installation parameters HUS4-8 and 10

Size Type HUS4		[mm]	8			10		
			T-H	(T)-H		(T)-H, -A		
			h_{nom1}	h_{nom2}	h_{nom3}	h_{nom1}	h_{nom2}	h_{nom3}
Nominal embedment depth	h_{nom}	[mm]	50	60	70	55	75	85
Nominal drill hole diameter	d_0	[mm]	8			10		
Drill bit cutting diameter	$d_{cut} \leq$	[mm]	8.45			10.45		
Clearance hole in the fixture through-setting	$d_f \leq$	[mm]	14			16		
Clearance hole in the fixture pre-setting (A-type)	$d_f \leq$	[mm]	-			14		
Wrench size (H-type)	SW	[mm]	13			15		
Wrench size for hexagon head (A-type)	SW1	[mm]	-			8		
Wrench size for nut (A-type)	SW2	[mm]	-			19		
Maximum installation torque (A-type)	$max T_{inst}$	[Nm]	-			20		
Drill hole depth for cleaned holes or for uncleaned holes when drilling upwards	$h_1 \geq$	[mm]	$(h_{nom} + 10 \text{ mm})$					
			60	70	80	65	85	95
Drill hole depth for uncleaned holes in wall and floor position	$h_1 \geq$	[mm]	$(h_{nom} + 10 \text{ mm}) + 2d_0$					
			76	86	96	85	105	115
Combination 1								
Minimum edge distance	$c_1 \geq$	[mm]	60	80	100	75	100	115
Minimum thickness of concrete member	$h_{min} \geq$	[mm]	$h_1 + 30 \text{ mm}$					
			90	120	150	115	150	175
Minimum edge distance	$c_2 \geq$	[mm]	$1.5 \cdot c_1$					
Minimum spacing	$s \geq$	[mm]	$3 \cdot c_1$					
Combination 2								
Minimum edge distance	$c_1 \geq$	[mm]	60	85	110	85	120	135
Minimum thickness of concrete member	$h_{min} \geq$	[mm]	$h_1 + 30 \text{ mm}$					
			90	100	120	100	130	140
Minimum edge distance	$c_2 \geq$	[mm]	$1.5 \cdot c_1$					
Minimum spacing	$s \geq$	[mm]	$3 \cdot c_1$					
Combination 3 ²⁾								
Minimum edge distance	$c_{1,2} \geq$	[mm]	480	480	560	600	600	680
Minimum thickness of concrete member	$h_{min} \geq$	[mm]						
			90	100	120	100	130	140
Minimum spacing	$s \geq$	[mm]	120	145	170	130	180	205
Setting tool								
Hilti setting tool ¹⁾			SIW 4AT-A22 1/2" SIW 6-22 1/2" SIW 6AT-A22 1/2" gear 1			SIW 6(AT)-A22 1/2" SIW 22T-A 1/2" SIW 8-22 1/2" gear 1 SIW 9-A22 3/4"		
Sleeve setting jig HRG			8			10		

¹⁾ Installation with other impact screw driver of equivalent power is permitted.

²⁾ Combination 3 fulfils the conditions in accordance with DIN EN 1992-4:2019-04 $c > \max(60d_0; 10h_{ef})$. Therefore, the concrete edge failure verification may be neglected (resistances for combination 3 in accordance with Annex 11, Table 9).

Hilti concrete screw HUS4 for temporary fastening in concrete

Annex 6

Intended use
Installation parameters

Table 6: Installation parameters HUS4-12 and 14

Size Type HUS4	12 -H			14 -H, -A				
	h_{nom1}	h_{nom2}	h_{nom3}	h_{nom1}	h_{nom2}	h_{nom3}		
Nominal embedment depth	h_{nom}	[mm]	60	80	100	65	85	115
Nominal drill hole diameter	d_0	[mm]	12			14		
Drill bit cutting diameter	$d_{cut} \leq$	[mm]	12.50			14.50		
Clearance hole in the fixture through-setting	$d_f \leq$	[mm]	20			22		
Clearance hole in the fixture pre-setting (A-type)	$d_f \leq$	[mm]	-			18		
Wrench size (H-type)	SW	[mm]	17			21		
Wrench size for hexagon head (A-type)	SW1	[mm]	-			12		
Wrench size for nut (A-type)	SW2	[mm]	-			24		
Maximum installation torque (A-type)	$max T_{inst}$	[Nm]	-			80		
Drill hole depth for cleaned holes or for uncleaned holes when drilling upwards	$h_1 \geq$	[mm]	$(h_{nom} + 10 \text{ mm})$					
			70	90	110	75	95	125
Drill hole depth for uncleaned holes in wall and floor position	$h_1 \geq$	[mm]	$(h_{nom} + 10 \text{ mm}) + 2d_0$					
			94	114	134	103	123	153
Combination 1								
Minimum edge distance	$c_1 \geq$	[mm]	65	105	135	85	115	180
Minimum thickness of concrete member	$h_{min} \geq$	[mm]	$h_1 + 30 \text{ mm}$					
			110	160	205	130	175	255
Minimum edge distance	$c_2 \geq$	[mm]	$1.5 \cdot c_1$					
Minimum spacing	$s \geq$	[mm]	$3 \cdot c_1$					
Combination 2								
Minimum edge distance	$c_1 \geq$	[mm]	65	120	160	100	135	300
Minimum thickness of concrete member	$h_{min} \geq$	[mm]	$h_1 + 30 \text{ mm}$					
			110	130	150	120	160	200
Minimum edge distance	$c_2 \geq$	[mm]	$1.5 \cdot c_1$					
Minimum spacing	$s \geq$	[mm]	$3 \cdot c_1$					
Combination 3 ²⁾								
Minimum edge distance	$c_{1,2} \geq$	[mm]	720	720	800	840	840	920
Minimum thickness of concrete member	$h_{min} \geq$	[mm]	$h_1 + 30 \text{ mm}$					
			110	130	150	120	160	200
Minimum spacing	$s \geq$	[mm]	140	190	240	150	200	275
Setting tool								
Hilti setting tool ¹⁾			SIW 22T-A 1/2" SIW 6-22 1/2" SIW 8-22 1/2" SIW 9-A22 3/4"			SIW 22T-A 1/2" SIW 6-22 1/2" SIW 8-22 1/2" SIW 9-A22 3/4"		
Sleeve setting jig HRG			12			14		

¹⁾ Installation with other impact screw driver of equivalent power is permitted.

²⁾ Combination 3 fulfils the conditions in accordance with DIN EN 1992-4:2019-04 $c > \max(60d_0; 10h_{ef})$. Therefore, the concrete edge failure verification may be neglected (resistances for combination 3 in accordance with Annex 11, Table 9).

Hilti concrete screw HUS4 for temporary fastening in concrete

Intended use
Installation parameters

Annex 7

Table 7: Installation parameters HUS4 16

Size Type HUS4			16	
			-H	
			h_{nom1}	h_{nom2}
Nominal embedment depth	h_{nom}	[mm]	85	130
Nominal drill hole diameter	d_0	[mm]	16	
Drill bit cutting diameter	$d_{cut} \leq$	[mm]	16.50	
Clearance hole in the fixture through-setting	$d_f \leq$	[mm]	24	
Wrench size	SW	[mm]	24	
Drill hole depth for cleaned holes or for uncleaned holes when drilling upwards	$h_1 \geq$	[mm]	$(h_{nom} + 10 \text{ mm})$	
			95	140
Drill hole depth for uncleaned holes in wall and floor position	$h_1 \geq$	[mm]	$(h_{nom} + 10 \text{ mm}) + 2d_0$	
			127	172
Combination 1				
Minimum edge distance	$c_1 \geq$	[mm]	105	180
Minimum thickness of concrete member	$h_{min} \geq$	[mm]	$h_1 + 30 \text{ mm}$	
			160	220
Minimum edge distance	$c_2 \geq$	[mm]	$1.5 \cdot c_1$	
Minimum spacing	$s \geq$	[mm]	$3 \cdot c_1$	
Combination 2				
Minimum edge distance	$c_1 \geq$	[mm]	115	215
Minimum thickness of concrete member	$h_{min} \geq$	[mm]	$h_1 + 30 \text{ mm}$	
			130	195
Minimum edge distance	$c_2 \geq$	[mm]	$1.5 \cdot c_1$	
Minimum spacing	$s \geq$	[mm]	$3 \cdot c_1$	
Combination 3 ²⁾				
Minimum edge distance	$c_1, c_2 \geq$	[mm]	960	1050
Minimum thickness of concrete member	$h_{min} \geq$	[mm]	$h_1 + 30 \text{ mm}$	
			130	195
Minimum spacing	$s \geq$	[mm]	200	315
Setting tool				
Hilti setting tool ¹⁾			SIW 22T-A 1/2" SIW 6-22 1/2" SIW 8-22 1/2" SIW 9-A22 3/4"	
Sleeve setting jig HRG			16	

¹⁾ Installation with other impact screw driver of equivalent power is permitted.

²⁾ Combination 3 fulfils the conditions in accordance with DIN EN 1992-4:2019-04 $c > \max(60d_0; 10h_{ef})$. Therefore, the concrete edge failure verification may be neglected (resistances for combination 3 in accordance with Annex 11, Table 9).

Hilti concrete screw HUS4 for temporary fastening in concrete

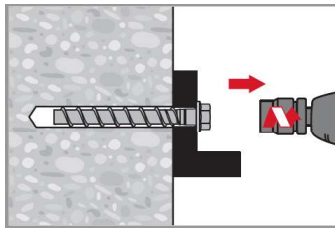
Intended use
Installation parameters

Annex 8

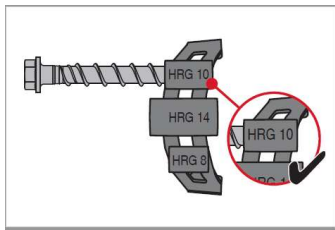
Installation instructions

Drilling and cleaning of hole, installation and reuse

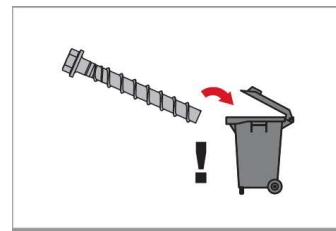
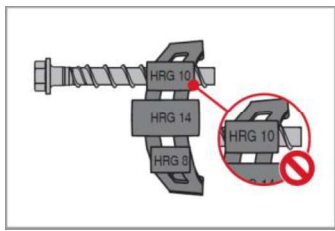
Hammer drilling (HD)



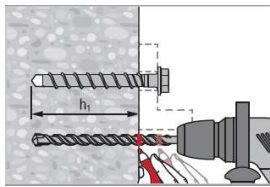
The Hilti concrete screws HUS4-H, HUS4T-H and HUS4-A are intended only for temporary application in a single drill hole. After they have been unscrewed, they may be reused in other drill holes. However, they may not be screwed into the same drill hole a second time.



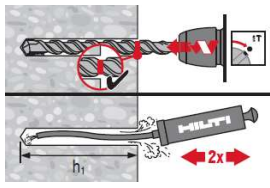
Prior to every reuse, the wear of the thread shall be verified with an appropriate sleeve setting jig HRG in accordance with Tables 5 to 7. The concrete screw may be reused provided that it does not protrude from the sleeve. Screws which are visibly damaged (e.g. due to corrosion) shall not be reused.



If the screw protrudes from the sleeve or the screw shows other visible damage, the screw shall not be reused.

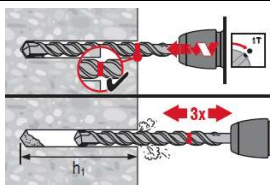


Mark the drilling depth h_1 for pre installation or through installation on drill or drill bit. Details for drill hole depth h_1 , see Tables 5, 6 and 7.



Drill the hole observing its depth mark.

Clean drill hole in case of installation in wall and floor position. Drilling depth $h_1 \geq h_{nom} + 10$ mm



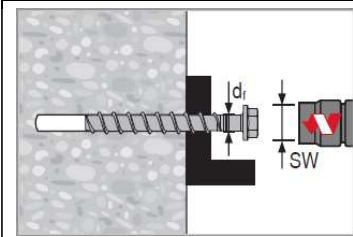
The drill hole does not need to be cleaned if it is drilled vertically upwards. The drill hole does not need to be cleaned if the hole is drilled vertically downwards or horizontally and then ventilated¹⁾ three times after it has been drilled. In addition, the drilling depth shall be increased by $2 \cdot d_0$.

¹⁾ Move the drill in and out of the drill hole three times after the recommended drilling depth h_1 has been reached. This procedure should be carried out with both the revolution function and the hammer function of the drilling machine. More detailed information is included in the relevant installation instructions of the manufacturer (MPII).

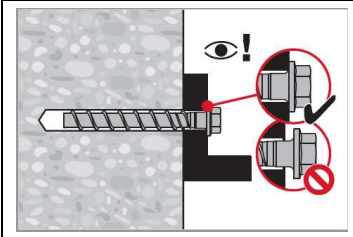
Hilti concrete screw HUS4 for temporary fastening in concrete

Intended use
Installation instructions

Annex 9



Setting the concrete screw in accordance with the installation parameters in Tables 5 to 7. The screw length shall be selected so that the nominal embedment depth h_{nom} (length of the screw in the concrete) is maintained in accordance with Tables 3 and 4.



- Setting check:
- the fixture to be fastened is screwed flush against the concrete without an intermediate layer,
 - the fastener head (HUS4-H and HUS4T-H) or the washer with nut (HUS4-A) rests on the baseplate,
 - the fastener cannot easily be turned further,
 - the necessary embedment depth h_{nom} is adhered to.

Hilti concrete screw HUS4 for temporary fastening in concrete

Intended use
 Installation instructions - Continued

Annex 10

Table: Design resistances for all load directions for cracked and uncracked concrete (for combination 1 and 2 as given in Tables 5, 6 and 7)

Concrete screw			HUS4T-H 8	HUS4(T)-H 8			HUS4(T)-H 10 HUS4-A 10			HUS4-H 12			HUS4-H 14 HUS4-A 14			HUS4-H 16	
Nominal embedment depth	h_{nom}	[mm]	h_{nom1}	h_{nom2}	h_{nom3}	h_{nom1}	h_{nom2}	h_{nom3}	h_{nom1}	h_{nom2}	h_{nom3}	h_{nom1}	h_{nom2}	h_{nom3}	h_{nom1}	h_{nom2}	
			50	60	70	55	75	85	60	80	100	65	85	115	85	130	
Concrete compressive strength f_{ek} (cylinder)	≥ 8 MPa	$F_{Rd}^{(1)}$	[kN]	2.3	3.3	4.7	3.3	5.3	6.3	2.6	5.4	7.8	4.4	7.0	12.8	5.5	12.6
	≥ 12 MPa	$F_{Rd}^{(1)}$	[kN]	2.8	4.0	5.7	4.0	6.4	7.8	3.5	7.3	10.6	5.4	8.5	15.6	7.5	17.0
	≥ 16 MPa	$F_{Rd}^{(1)}$	[kN]	3.3	4.6	6.6	4.7	7.4	9.0	4.0	8.4	12.2	6.2	9.9	18.0	8.7	19.7
	≥ 20 MPa	$F_{Rd}^{(1)}$	[kN]	3.7	5.1	7.4	5.3	8.3	10.1	4.5	9.4	13.6	6.9	11.1	20.2	9.7	22.0

¹⁾ The partial safety factor is already included in the design values.

Table 9: Design resistances under tension and shear for cracked and uncracked concrete (for combination 3 as given in Tables 5, 6 and 7)

Concrete screw			HUS4T-H 8	HUS4(T)-H 8			HUS4(T)-H 10 HUS4-A 10			HUS4-H 12			HUS4-H 14 HUS4-A 14			HUS4-H 16		
Nominal embedment depth	h_{nom}	[mm]	h_{nom1}	h_{nom2}	h_{nom3}	h_{nom1}	h_{nom2}	h_{nom3}	h_{nom1}	h_{nom2}	h_{nom3}	h_{nom1}	h_{nom2}	h_{nom3}	h_{nom1}	h_{nom2}		
			50	60	70	55	75	85	60	80	100	65	85	115	85	130		
Concrete compressive strength f_{ek} (cylinder)	Axial tension	≥ 8 MPa	$N_{Rd}^{(1)}$	[kN]	2.3	3.3	4.7	3.3	5.3	6.3	2.6	5.4	7.8	4.4	7.0	12.8	5.5	12.6
		≥ 12 MPa	$N_{Rd}^{(1)}$	[kN]	2.8	4.0	5.7	4.0	6.4	7.8	3.5	7.3	10.6	5.4	8.5	15.6	7.5	17.0
		≥ 16 MPa	$N_{Rd}^{(1)}$	[kN]	3.3	4.6	6.6	4.7	7.4	9.0	4.0	8.4	12.2	6.2	9.9	18.0	8.7	19.7
		≥ 20 MPa	$N_{Rd}^{(1)}$	[kN]	3.7	5.1	7.4	5.3	8.3	10.1	4.5	9.4	13.6	6.9	11.1	20.2	9.7	22.0
	Shear	≥ 8 MPa	$V_{Rd}^{(1)}$	[kN]	3.7	4.6	5.9	3.9	6.5	16.0	4.5	14.5	20.7	5.0	15.7	25.5	15.8	31.2
		≥ 12 MPa	$V_{Rd}^{(1)}$	[kN]	4.5	5.6	7.2	4.8	8.0	19.5	5.5	17.7	25.4	6.2	19.2	31.3	19.3	38.2
		≥ 16 MPa	$V_{Rd}^{(1)}$	[kN]	5.0	6.3	8.1	5.3	8.9	21.9	6.2	19.8	28.4	6.9	21.5	35.0	21.6	42.7
		≥ 20 MPa	$V_{Rd}^{(1)}$	[kN]	5.8	7.3	9.3	6.2	10.3	22.6	7.1	22.9	32.8	7.9	24.8	40.4	25.0	49.3

In case of combined tension and shear loads, verification shall be carried out in accordance with Section 2.2.3.

¹⁾ The partial safety factor is already included in the design values.

Hilti concrete screw HUS4 for temporary fastening in concrete

Performance
Design resistances for cracked and uncracked concrete

Annex 11

Allgemeine Bauartgenehmigung

Eine vom Bund und den Ländern gemeinsam
getragene Anstalt des öffentlichen Rechts

**Zulassungs- und Genehmigungsstelle
für Bauprodukte und Bauarten**

Datum: 27.03.2025 Geschäftszeichen:
I 25-1.21.8-80/24

Nummer:
Z-21.8-2137

Antragsteller:
Hilti Deutschland AG
Hiltistraße 2
86916 Kaufering

Geltungsdauer
vom: **27. März 2025**
bis: **21. Dezember 2026**

Gegenstand dieses Bescheides:
Hilti Betonschraube HUS4 für temporäre Befestigungen im Beton

Der oben genannte Regelungsgegenstand wird hiermit allgemein bauaufsichtlich genehmigt.
Dieser Bescheid umfasst fünf Seiten und elf Anlagen.
Diese allgemeine Bauartgenehmigung ersetzt die allgemeine Bauartgenehmigung Nr. Z-21.8-2137
vom 21. Dezember 2021. Der Gegenstand ist erstmals am 21. Dezember 2021 zugelassen worden.

DIBt

I ALLGEMEINE BESTIMMUNGEN

- 1 Mit der allgemeinen Bauartgenehmigung ist die Anwendbarkeit des Regelungsgegenstandes im Sinne der Landesbauordnungen nachgewiesen.
- 2 Dieser Bescheid ersetzt nicht die für die Durchführung von Bauvorhaben gesetzlich vorgeschriebenen Genehmigungen, Zustimmungen und Bescheinigungen.
- 3 Dieser Bescheid wird unbeschadet der Rechte Dritter, insbesondere privater Schutzrechte, erteilt.
- 4 Dem Anwender des Regelungsgegenstandes sind, unbeschadet weitergehender Regelungen in den "Besonderen Bestimmungen", Kopien dieses Bescheides zur Verfügung zu stellen. Zudem ist der Anwender des Regelungsgegenstandes darauf hinzuweisen, dass dieser Bescheid an der Anwendungsstelle vorliegen muss. Auf Anforderung sind den beteiligten Behörden ebenfalls Kopien zur Verfügung zu stellen.
- 5 Dieser Bescheid darf nur vollständig vervielfältigt werden. Eine auszugsweise Veröffentlichung bedarf der Zustimmung des Deutschen Instituts für Bautechnik. Texte und Zeichnungen von Werbeschriften dürfen diesem Bescheid nicht widersprechen, Übersetzungen müssen den Hinweis "Vom Deutschen Institut für Bautechnik nicht geprüfte Übersetzung der deutschen Originalfassung" enthalten.
- 6 Dieser Bescheid wird widerruflich erteilt. Die Bestimmungen können nachträglich ergänzt und geändert werden, insbesondere, wenn neue technische Erkenntnisse dies erfordern.
- 7 Dieser Bescheid bezieht sich auf die von dem Antragsteller im Genehmigungsverfahren zum Regelungsgegenstand gemachten Angaben und vorgelegten Dokumente. Eine Änderung dieser Genehmigungsgrundlagen wird von diesem Bescheid nicht erfasst und ist dem Deutschen Institut für Bautechnik unverzüglich offenzulegen.

II BESONDERE BESTIMMUNGEN

1 Regelungsgegenstand und Anwendungsbereich

1.1 Regelungsgegenstand

Regelungsgegenstand ist die Hilti Betonschraube HUS4 (nachfolgend Dübel genannt) in den Größen 8, 10, 12, 14 und 16 mm entsprechend der europäischen technischen Bewertung ETA-20/0867 vom 11. Februar 2025. Die Hilti Betonschraube HUS4 ist eine Spezialschraube mit Sechskantkopf oder Anschlussgewinde aus galvanisch verzinktem Stahl.

Die Verankerung des Dübels erfolgt durch Einschrauben in ein vorgebohrtes zylindrisches Bohrloch. Das Spezialgewinde des Dübels schneidet dabei ein Gewinde in den Verankerungsgrund. Die Verankerung erfolgt durch Formschluss des Spezialgewindes im Beton.

In Anlage 1 ist der Dübel im eingebauten Zustand dargestellt.

1.2 Anwendungsbereich

Der Dübel darf für Verankerungen in bewehrtem und unbewehrtem Normalbeton der Festigkeitsklasse von mindestens C20/25 und höchstens C50/60 nach DIN EN 206-1:2001-07 "Beton - Teil 1: Festlegung, Eigenschaften, Herstellung und Konformität" angewendet werden. Die Schraube darf vor dem Erreichen der geforderten charakteristischen Druckfestigkeit des Betons, auf Nachweis entsprechend Abschnitt 2.3.1, verankert und belastet werden.

Der Dübel darf nur als temporäre Befestigung von Baustelleneinrichtungen, wie z.B. für Baustützen, Absturzsicherungen und Gerüste, angewendet werden. Der Dübel kann nach dem Herausschrauben in neuen Bohrlöchern wiederverwendet werden. Ein Bohrloch darf jedoch nach dem Herausschrauben eines Dübels nicht wiederverwendet werden. Die Wiederverwendbarkeit des Dübels muss vor jedem Einsatz visuell sowie mit einer Hülsenlehre entsprechend Abschnitt 2.3.3 überprüft werden. Eingebaute Dübel sind ständig auf sichtbare Beschädigungen (z.B. durch Korrosion) zu prüfen und gegebenenfalls auszutauschen.

Der Dübel darf im gerissenen und ungerissenen Beton verankert werden.

Der Dübel darf für den vorgesehenen temporären Einsatz im Innen- und Außenbereich angewendet werden.

2 Bestimmungen für Planung, Bemessung und Ausführung

2.1 Planung

Die Verankerungen sind ingenieurmäßig zu planen. Unter Berücksichtigung der zu verankernden Lasten sind prüfbare Berechnungen und Konstruktionszeichnungen anzufertigen.

Die Konstruktionszeichnungen müssen die genaue Lage sowie die Größe des Dübels enthalten.

Die Mindestabstände des Dübels (Achsen- und Randabstände) sowie die minimalen Betonbauteildicken nach Anlage 6, 7 und 8 sind zu beachten.

2.2 Bemessung

2.2.1 Allgemeines

Mit dieser Bemessung ist der Nachweis der unmittelbaren örtlichen Kräfteinleitung in den Beton erbracht. Die Weiterleitung der zu verankernden Lasten im Bauteil ist nachzuweisen.

Zusatzbeanspruchungen, die in der Schraube, im anzuschließenden Bauteil oder im Bauteil, in dem der Dübel verankert ist, aus behinderter Formänderung (z. B. bei Temperaturwechseln) entstehen können, sind zu berücksichtigen.

2.2.2 Nachweise mit Widerständen für alle Lastrichtungen

Bei den Kombinationen 1 und 2 des Randabstandes c_1 und der Betonbauteildicke h_{\min} nach Anlage 6, 7 und 8, Tabelle 5, 6 und 7 ist nachzuweisen, dass der Bemessungswert der Beanspruchung F_{Ed} den Bemessungswert des Widerstandes F_{Rd} nicht überschreitet. Folgender Nachweis ist zu führen:

$$\frac{F_{Ed}}{F_{Rd}} \leq 1,0$$

Die Bemessungswerte des Widerstandes gelten hier für alle Lastrichtungen, unabhängig von der Versagensart. Die Widerstände sind in Anlage 11, Tabelle 8 in Abhängigkeit von der Schraubengröße, der Einschraubtiefe und der Betondruckfestigkeit f_{ck} angegeben.

2.2.3 Nachweise mit getrennten Widerständen für zentrischen Zug- und Querzug

Bei der Kombination 3 des Randabstandes c_1 und der Betonbauteildicke h_{\min} nach Anlage 6, 7 und 8, Tabelle 5, 6 und 7 ist nachzuweisen, dass die Bemessungswerte der Beanspruchungen N_{Ed} und V_{Ed} die Bemessungswerte der Widerstände N_{Rd} und V_{Rd} nicht überschreiten. Folgende Einzelnachweise sind zu führen:

$$\frac{N_{Ed}}{N_{Rd}} \leq 1,0 \qquad \frac{V_{Ed}}{V_{Rd}} \leq 1,0$$

Die Bemessungswerte des Widerstandes gelten für alle Versagensarten. Die Widerstände sind in Anlage 11, Tabelle 9 in Abhängigkeit von der Schraubengröße, der Einschraubtiefe und der Betondruckfestigkeit f_{ck} angegeben.

Liegt eine kombinierte Zug- und Querzugbeanspruchung (Schrägzugbeanspruchung) vor, gelten die folgenden Interaktionsbedingungen, welche zusätzlich zu erfüllen sind:

$$\frac{N_{Ed}}{N_{Rd}} + \frac{V_{Ed}}{V_{Rd}} \leq 1,2$$

oder
$$\left(\frac{N_{Ed}}{N_{Rd}}\right)^{1,5} + \left(\frac{V_{Ed}}{V_{Rd}}\right)^{1,5} \leq 1,0$$

2.3 Ausführung

2.3.1 Allgemeines

Die Montage des zu verankernden Dübels ist nach den gemäß Abschnitt 2.1 gefertigten Konstruktionszeichnungen vorzunehmen.

Die Setzanweisungen zur Bohrlochherstellung, Bohrlochreinigung, Wiederverwendung und Montage gemäß den Anlagen 9 und 10 sind zu beachten.

Die Schraube darf in jungem Beton vor dem Erreichen der charakteristischen Betondruckfestigkeit f_{ck} der nominellen Festigkeitsklasse verwendet werden. In diesem Fall muss die Betondruckfestigkeit einen Wert von $f_{ck} \geq 8$ MPa erreicht haben.

Der Anwender der Bauart bzw. das bauausführende Unternehmen hat zur Bestätigung der Übereinstimmung der Bauart mit dieser allgemeinen Bauartgenehmigung eine Übereinstimmungserklärung gemäß §§ 16 a Abs. 5, 21 Abs. 2 MBO abzugeben.

2.3.2 Herstellung und Reinigung des Bohrlochs

Die Lage des Bohrloches ist mit der Bewehrung so abzustimmen, dass ein Beschädigen der Bewehrung vermieden wird.

Das Bohrloch ist rechtwinklig zur Betonoberfläche mit Hartmetall-Mauerbohrern zu bohren. Der Hartmetall-Mauerbohrer muss den Angaben des Merkblattes des Deutschen Instituts für Bautechnik über "Kennwerte, Anforderungen und Prüfungen von Mauerbohrern mit Schneidkörpern aus Hartmetall, die zur Herstellung der Bohrlöcher von Dübelverankerungen verwendet werden" (Fassung Januar 2002) entsprechen. Die Einhaltung der Bohrerkenne

ist durch die Prüfmarke der Prüfgemeinschaft Mauerbohrer e.V., Remscheid, zu belegen (siehe Merkblatt, Abschnitt 5).

Bohrerinnendurchmesser, Schneidendurchmesser und Bohrlochtiefe müssen den Werten der Anlage 6, 7 und 8, Tabelle 5, 6 und 7 entsprechen. Das Bohrmehl ist bei Montage in Wand- und Bodenposition aus dem Bohrloch zu entfernen. Eine Bohrlochreinigung ist nicht erforderlich, wenn vertikal nach oben gebohrt wird. Eine Bohrlochreinigung ist ebenfalls nicht erforderlich, wenn vertikal nach unten oder horizontal gebohrt wird und zudem dreimal nach dem Bohren entsprechend Anlage 9 gelüftet wird.

Bei einer Fehlbohrung ist ein neues Bohrloch im Abstand von mindestens 2 x Tiefe der Fehlbohrung anzuordnen.

2.3.3 Setzen der Schraube

Der Dübel ist nur für eine temporäre Anwendung in einem einzelnen Bohrloch vorgesehen. Nach dem Herausschrauben kann sie in anderen Bohrlöchern wiederverwendet werden. Sie darf allerdings nicht ein zweites Mal in dasselbe Bohrloch eingeschraubt werden.

Vor jeder Wiederverwendung ist der Verschleiß des Gewindes mit einer zugehörigen Hülsenlehre, Typ HRG zu überprüfen. Der Dübel darf nur wiederverwendet werden, wenn er höchstens soweit in die Hülse eindringen kann, dass er nicht auf der Rückseite der Hülse herausragt (siehe Anlage 9). Schrauben mit sichtbaren Beschädigungen, z. B. durch Korrosionsabtrag, dürfen grundsätzlich nicht wiederverwendet werden.

Der Dübel darf mit einem Impulsschrauber mit Tangentialschlag eingedreht werden.

Um ein Durchdrehen der Schraube zu vermeiden, soll der Schrauber mit einer Leistungsabgabe im oberen Bereich mit einer automatischen Abschaltvorrichtung, z. B. über den Tiefenanschlag, ausgestattet sein.

Der Dübel ist richtig verankert, wenn

- die zu befestigende Fußplatte (Anbauteil) ohne Zwischenlage ganzflächig gegen den Beton verschraubt ist,
- der Dübelkopf auf der Fußplatte aufliegt,
- ein leichtes Weiterdrehen der Schraube nicht möglich ist,
- die Setztiefe h_{nom} eingehalten ist.

2.3.4 Kontrolle der Ausführung

Bei der Montage der Dübel muss der mit der Verankerung betraute Unternehmer oder der von ihm beauftragte Bauleiter oder ein fachkundiger Vertreter des Bauleiters auf der Baustelle anwesend sein. Er hat für die ordnungsgemäße Ausführung der Arbeiten zu sorgen.

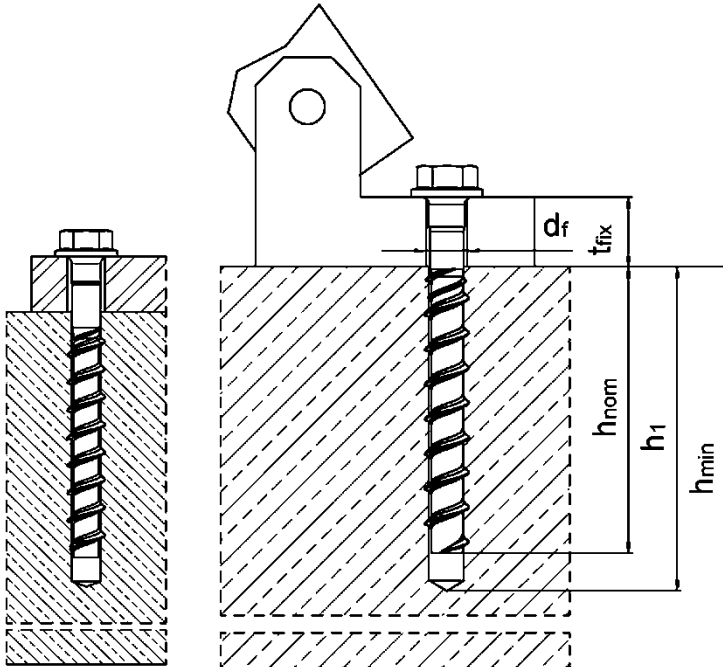
Während der Herstellung der Verankerungen sind Aufzeichnungen über den Nachweis der vorhandenen Betondruckfestigkeit nach Abschnitt 2.3.1 und die ordnungsgemäße Montage des Dübels vom Bauleiter oder seinem Vertreter zu führen. Die eingebauten Dübel müssen regelmäßig entsprechend Abschnitt 1.2 vom Bauleiter oder seinem Vertreter überprüft werden. Die Ergebnisse sind zu dokumentieren.

Die Aufzeichnungen müssen während der Bauzeit auf der Baustelle bereitliegen und sind dem mit der Kontrolle Beauftragten auf Verlangen vorzulegen. Sie sind ebenso wie die Lieferscheine nach Abschluss der Arbeiten mindestens 5 Jahre vom Unternehmen aufzubewahren.

Dipl.-Ing. Beatrix Wittstock
Referatsleiterin

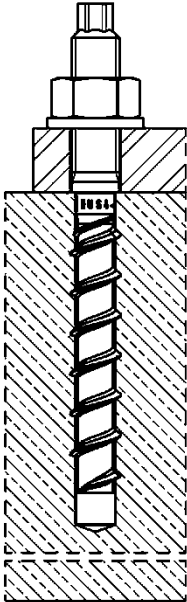
Beglaubigt
Tempel

Einbauzustand



HUS4-H (Ausführung Sechskantkopf
Größe 8, 10, 12, 14 und 16)
HUS4T-H (Ausführung Sechskantkopf
Größe 8 und 10)

d_f : Durchmesser Durchgangsloch
 t_{fix} : Dicke des Anbauteils
 h_{norm} : Länge des Dübels im Beton
 h_1 : Bohrlochtiefe
 h_{min} : Minimale Bauteildicke



HUS4-A
(Ausführung Außengewinde
Größe 10 mit M12 und 14 mit M16)

Hilti Betonschraube HUS4 für temporäre Befestigungen im Beton

Produktbeschreibung
Einbauzustand

Anlage 1

Tabelle 1: Schraubenausführungen

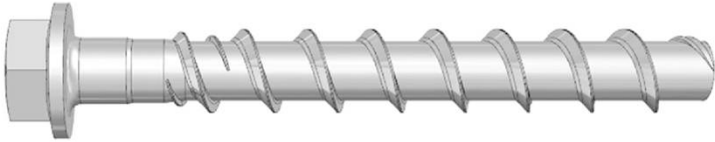
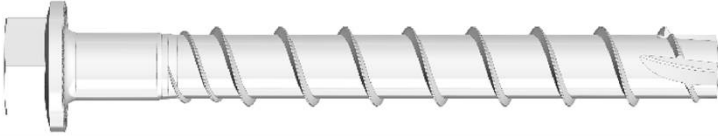

Hilti HUS4-H, Größe 8,10, 12, 14 und 16, Ausführung mit Sechskantkopf, galvanisch verzinkt

Hilti HUS4T-H, Größe 8 und 10, Ausführung mit Sechskantkopf, galvanisch verzinkt

Hilti HUS4-A, Größe 10 mit Außengewinde M12 und Größe 14 mit Außengewinde M16, galvanisch verzinkt


Tabelle 2: Material

Teil	Material
HUS4 Betonschraube (alle Ausführungen in Tabelle 1)	C-Stahl Bruchdehnung $A_5 \leq 8\%$

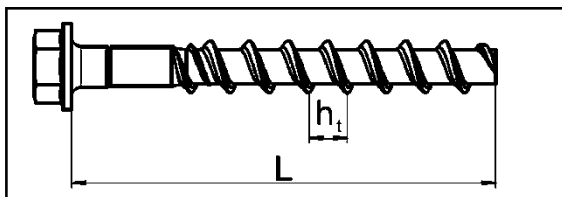
Hilti Betonschraube HUS4 für temporäre Befestigungen im Beton

Produktbeschreibung
 Schraubenausführungen, Abmessungen, Kennzeichnung, Material

Anlage 2

Tabelle 3: Abmessungen und Kopfmarkierung HUS4-H und HUS4T-H

Größe HUS4	T-H 8	(T)-H 8			(T)-H 10			-H 12			-H 14			-H 16	
Nomineller Dübeldurchmesser d [mm]	8			10			12			14			16		
Gewindesteigung h _t [mm]	8			10			12			14			13,2		
Länge des Dübels im Beton h _{nom} [mm]	h _{nom1}	h _{nom2}	h _{nom3}	h _{nom1}	h _{nom2}	h _{nom3}	h _{nom1}	h _{nom2}	h _{nom3}	h _{nom1}	h _{nom2}	h _{nom3}	h _{nom1}	h _{nom2}	
	50	60	70	55	75	85	60	80	100	65	85	115	85	130	
Länge der Schraube min / max L [mm]	65 / 150			60 / 305			70 / 150			75 / 150			100 / 205		



HUS4:	Hilti Universal Schraube 4. Generation
H:	Sechskantkopf, galvanisch verzinkt
10:	Nomineller Schraubendurchmesser d [mm]
100:	Länge der Schraube [mm]

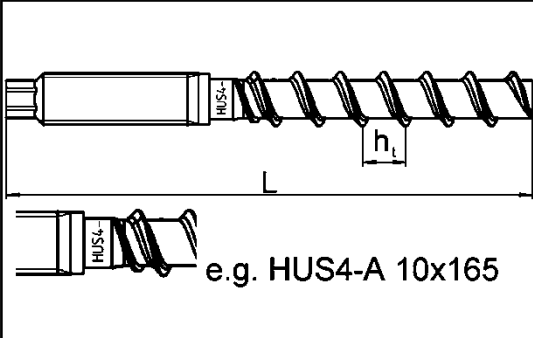

Hilti Betonschraube HUS4 für temporäre Befestigungen im Beton

Produktbeschreibung
 Abmessungen, Kennzeichnung

Anlage 3

Tabelle 4: Abmessungen und Markierung HUS4-A

Größe HUS4			-A 10			-A 14		
Nomineller Dübeldurchmesser	d	[mm]	10			14		
Außengewindeanschluss			M12			M16		
Gewindesteigung	h _t	[mm]	10			14		
Länge des Dübels im Beton	h _{nom}	[mm]	h _{nom1}	h _{nom2}	h _{nom3}	h _{nom1}	h _{nom2}	h _{nom3}
			55	75	85	65	80	115
Länge der Schraube min / max			L			[mm]		
			120 / 165			155 / 205		

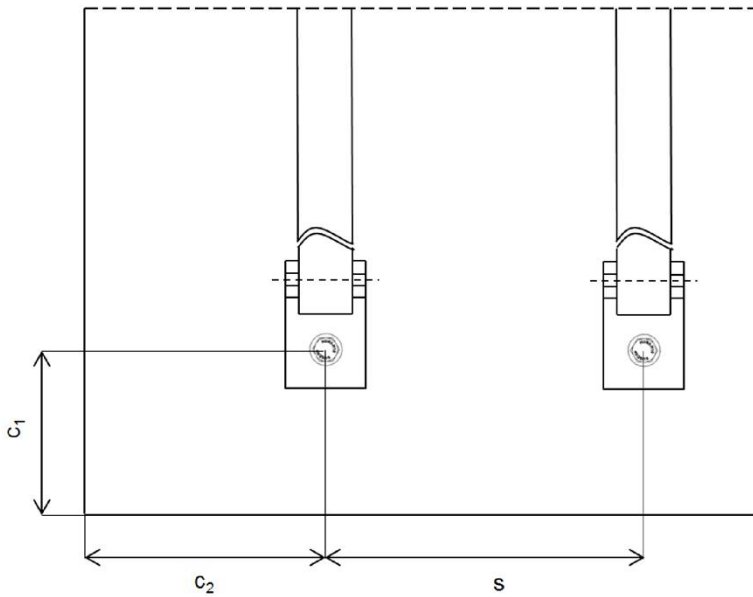
		HUS4: Hilti Universal Schraube 4. Generation
		A: Außengewinde, galvanisch verzinkt
		10: Nomineller Schraubendurchmesser d [mm]
		165: Länge der Schraube L [mm]
		8: C-Stahl
		K: Längenidentifikation HUS4-A 10x165
		G I K J L N
		10x120 10x140 10x165 14x155 14x185 14x205

Hilti Betonschraube HUS4 für temporäre Befestigungen im Beton

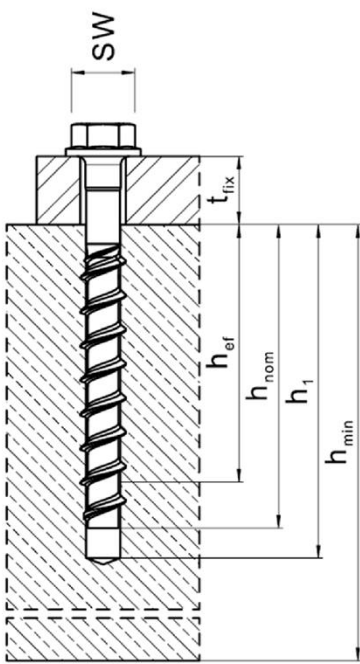
Produktbeschreibung
 Abmessungen, Kennzeichnung

Anlage 4

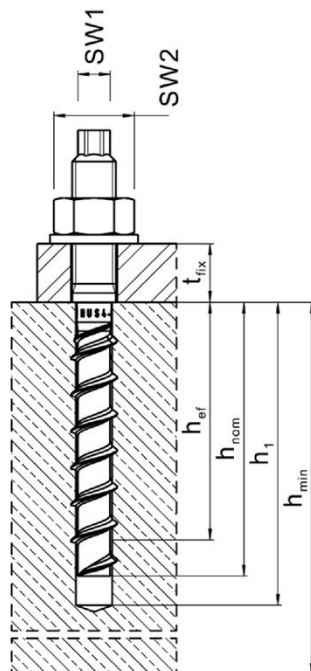
Montagekennwerte



Abmessungen c_1 , c_2 und s
 siehe Tabelle 5 bis 7



HUS4(T)-H



HUS4-A

Hilti Betonschraube HUS4 für temporäre Befestigungen im Beton

Verwendungszweck
 Montagekennwerte

Anlage 5

Tabelle 5: Montagekennwerte HUS4 8 und 10

Größe Typ HUS4		[mm]	8			10		
			T-H	(T)-H		(T)-H, -A		
			h_{nom1}	h_{nom2}	h_{nom3}	h_{nom1}	h_{nom2}	h_{nom3}
Länge des Dübels im Beton	h_{nom}	[mm]	50	60	70	55	75	85
Bohrerinnendurchmesser	d_0	[mm]	8			10		
Bohrerschneidendurchmesser	$d_{cut} \leq$	[mm]	8,45			10,45		
Durchgangsloch im Anbauteil Durchsteckmontage	$d_f \leq$	[mm]	14			16		
Durchgangsloch im Anbauteil Vorsteckmontage (A-Typ)	$d_f \leq$	[mm]	-			14		
Schlüsselweite (H-Typ)	SW	[mm]	13			15		
Schlüsselweite für den Sechskantkopf (A-Typ)	SW1	[mm]	-			8		
Schlüsselweite für die Mutter (A-Typ)	SW2	[mm]	-			19		
Maximales Anziehdrehmoment (A-Typ)	$\max T_{inst}$	[Nm]	-			20		
Bohrlochtiefe für gereinigte Bohrlöcher, oder ungereinigte Überkopf	$h_1 \geq$	[mm]	$(h_{nom} + 10 \text{ mm})$					
			60	70	80	65	85	95
Bohrlochtiefe für ungereinigte Bohrlöcher in Wand- und Bodenposition	$h_1 \geq$	[mm]	$(h_{nom} + 10 \text{ mm}) + 2d_0$					
			76	86	96	85	105	115
Kombination 1								
Minimaler Randabstand	$c_1 \geq$	[mm]	60	80	100	75	100	115
Minimale Dicke des Betonbauteils	$h_{min} \geq$	[mm]	$h_1 + 30 \text{ mm}$					
			90	120	150	115	150	175
Minimaler Randabstand	$c_2 \geq$	[mm]	$1,5 \cdot c_1$					
Minimaler Achsabstand	$s \geq$	[mm]	$3 \cdot c_1$					
Kombination 2								
Minimaler Randabstand	$c_1 \geq$	[mm]	60	85	110	85	120	135
Minimale Dicke des Betonbauteils	$h_{min} \geq$	[mm]	$h_1 + 30 \text{ mm}$					
			90	100	120	100	130	140
Minimaler Randabstand	$c_2 \geq$	[mm]	$1,5 \cdot c_1$					
Minimaler Achsabstand	$s \geq$	[mm]	$3 \cdot c_1$					
Kombination 3 ²⁾								
Minimaler Randabstand	$c_{1,2} \geq$	[mm]	480	480	560	600	600	680
Minimale Dicke des Betonbauteils	$h_{min} \geq$	[mm]						
			90	100	120	100	130	140
Minimaler Achsabstand	$s \geq$	[mm]	120	145	170	130	180	205
Setzgerät								
Hilti Setzgerät ¹⁾			SIW 4AT-A22 1/2" SIW 6-22 1/2" SIW 6AT-A22 1/2" gear 1			SIW 6(AT)-A22 1/2" SIW 22T-A 1/2" SIW 8-22 1/2" gear 1 SIW 9-A22 3/4"		
Hülsenlehre HRG			8			10		

¹⁾ Installation mit anderem Tangential-Schlagschrauber bei gleichwertiger Leistung ist zulässig.

²⁾ Die Kombination 3 erfüllt die Bedingungen nach DIN EN 1992-4:2019-04 $c > \max(60d_0; 10h_{er})$, somit kann der Nachweis auf Betonkantenbruch vernachlässigt werden (Widerstände für Kombination 3 gemäß Anlage 11, Tabelle 9).

Hilti Betonschraube HUS4 für temporäre Befestigungen im Beton

**Verwendungszweck
Montagekennwerte**

Anlage 6

Tabelle 6: Montagekennwerte HUS4 12 und 14

Größe Typ HUS4	12 -H			14 -H, -A				
	h_{nom1}	h_{nom2}	h_{nom3}	h_{nom1}	h_{nom2}	h_{nom3}		
Länge des Dübels im Beton	h_{nom}	[mm]	60	80	100	65	85	115
Bohrerinnendurchmesser	d_0	[mm]	12			14		
Bohrerschneidendurchmesser	$d_{cut} \leq$	[mm]	12,50			14,50		
Durchgangsloch im Anbauteil Durchsteckmontage	$d_f \leq$	[mm]	20			22		
Durchgangsloch im Anbauteil Vorsteckmontage (A-Typ)	$d_f \leq$	[mm]	-			18		
Schlüsselweite (H-Typ)	SW	[mm]	17			21		
Schlüsselweite für den Sechskantkopf (A-Typ)	SW1	[mm]	-			12		
Schlüsselweite für die Mutter (A-Typ)	SW2	[mm]	-			24		
Maximales Anziehdrehmoment (A-Typ)	$\max T_{inst}$	[Nm]	-			80		
Bohrlochtiefe für gereinigte Bohrlöcher oder ungereinigte Überkopf	$h_1 \geq$	[mm]	$(h_{nom} + 10 \text{ mm})$					
			70	90	110	75	95	125
Bohrlochtiefe für ungereinigte Bohrlöcher in Wand- und Bodenposition	$h_1 \geq$	[mm]	$(h_{nom} + 10 \text{ mm}) + 2d_0$					
			94	114	134	103	123	153
Kombination 1								
Minimaler Randabstand	$c_1 \geq$	[mm]	65	105	135	85	115	180
Minimale Dicke des Betonbauteils	$h_{min} \geq$	[mm]	$h_1 + 30 \text{ mm}$					
			110	160	205	130	175	255
Minimaler Randabstand	$c_2 \geq$	[mm]	$1,5 \cdot c_1$					
Minimaler Achsabstand	$s \geq$	[mm]	$3 \cdot c_1$					
Kombination 2								
Minimaler Randabstand	$c_1 \geq$	[mm]	65	120	160	100	135	300
Minimale Dicke des Betonbauteils	$h_{min} \geq$	[mm]	$h_1 + 30 \text{ mm}$					
			110	130	150	120	160	200
Minimaler Randabstand	$c_2 \geq$	[mm]	$1,5 \cdot c_1$					
Minimaler Achsabstand	$s \geq$	[mm]	$3 \cdot c_1$					
Kombination 3 ²⁾								
Minimaler Randabstand	$c_1, c_2 \geq$	[mm]	720	720	800	840	840	920
Minimale Dicke des Betonbauteils	$h_{min} \geq$	[mm]	$h_1 + 30 \text{ mm}$					
			110	130	150	120	160	200
Minimaler Achsabstand	$s \geq$	[mm]	140	190	240	150	200	275
Setzgerät								
Hilti Setzgerät ¹⁾	SIW 22T-A 1/2" SIW 6-22 1/2" SIW 8-22 1/2" SIW 9-A22 3/4"			SIW 22T-A 1/2" SIW 6-22 1/2" SIW 8-22 1/2" SIW 9-A22 3/4"				
Hülsenlehre HRG			12			14		

¹⁾ Installation mit anderem Tangential-Schlagschrauber bei gleichwertiger Leistung ist zulässig.

²⁾ Die Kombination 3 erfüllt die Bedingungen nach DIN EN1992-4:2019-04 $c > \max(60d_0; 10h_{ef})$, somit kann der Nachweis auf Betonkantenbruch vernachlässigt werden (Widerstände für Kombination 3 gemäß Anlage 11, Tabelle 9).

Hilti Betonschraube HUS4 für temporäre Befestigungen im Beton

**Verwendungszweck
 Montagekennwerte**

Anlage 7

Tabelle 7: Montagekennwerte HUS4 16

Größe Typ HUS4			16	
			-H	
			h_{nom1}	h_{nom2}
Länge des Dübels im Beton	h_{nom}	[mm]	85	130
Bohrernenndurchmesser	d_o	[mm]	16	
Bohrerschneidendurchmesser	$d_{cut} \leq$	[mm]	16,50	
Durchgangsloch im Anbauteil Durchsteckmontage	$d_f \leq$	[mm]	24	
Schlüsselweite	SW	[mm]	24	
Bohrlochtiefe für gereinigte Bohrlöcher oder ungereinigte Überkopf	$h_1 \geq$	[mm]	$(h_{nom} + 10 \text{ mm})$	
			95	140
Bohrlochtiefe für ungereinigte Bohrlöcher in Wand- und Bodenposition	$h_1 \geq$	[mm]	$(h_{nom} + 10 \text{ mm}) + 2d_o$	
			127	172
Kombination 1				
Minimaler Randabstand	$c_1 \geq$	[mm]	105	180
Minimale Dicke des Betonbauteils	$h_{min} \geq$	[mm]	$h_1 + 30 \text{ mm}$	
			160	220
Minimaler Randabstand	$c_2 \geq$	[mm]	$1,5 \cdot c_1$	
Minimaler Achsabstand	$s \geq$	[mm]	$3 \cdot c_1$	
Kombination 2				
Minimaler Randabstand	$c_1 \geq$	[mm]	115	215
Minimale Dicke des Betonbauteils	$h_{min} \geq$	[mm]	$h_1 + 30 \text{ mm}$	
			130	195
Minimaler Randabstand	$c_2 \geq$	[mm]	$1,5 \cdot c_1$	
Minimaler Achsabstand	$s \geq$	[mm]	$3 \cdot c_1$	
Kombination 3 ²⁾				
Minimaler Randabstand	$c_1, c_2 \geq$	[mm]	960	1050
Minimale Dicke des Betonbauteils	$h_{min} \geq$	[mm]	$h_1 + 30 \text{ mm}$	
			130	195
Minimaler Achsabstand	$s \geq$	[mm]	200	315
Setzgerät				
Hilti Setzgerät ¹⁾			SIW 22T-A 1/2" SIW 6-22 1/2" SIW 8-22 1/2" SIW 9-A22 3/4"	
Hülsenlehre HRG			16	

¹⁾ Installation mit anderem Tangential-Schlagschrauber bei gleichwertiger Leistung ist zulässig.

²⁾ Die Kombination 3 erfüllt die Bedingungen nach DIN EN1992-4:2019-04 $c > \max(60d_o; 10h_{ef})$, somit kann der Nachweis auf Betonkantenbruch vernachlässigt werden (Widerstände für Kombination 3 gemäß Anlage 11, Tabelle 9).

Hilti Betonschraube HUS4 für temporäre Befestigungen im Beton

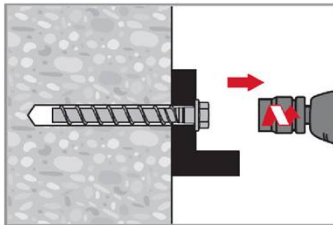
Verwendungszweck
Montagekennwerte

Anlage 8

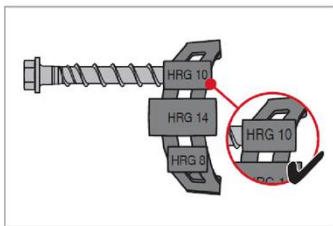
Setzanweisung

Bohrlocherstellung, Reinigung, Montage und Wiederverwendung

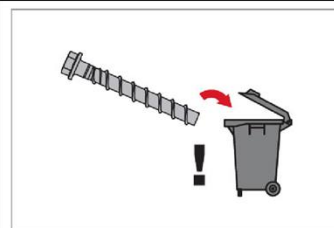
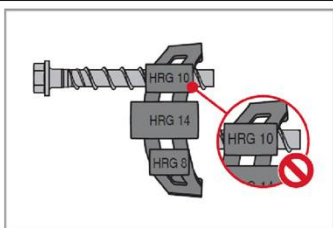
Hammerbohren (HD)



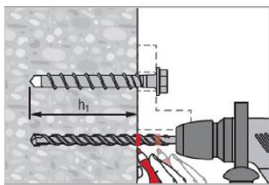
Die Hilti Betonschraube HUS4-H, HUS4T-H und HUS4-A ist für eine temporäre Anwendung in einem einzelnen Bohrloch vorgesehen. Nach dem Herausschrauben kann sie in anderen Bohrlochern wiederverwendet werden. Sie darf nicht ein zweites Mal in dasselbe Bohrloch eingeschraubt werden.



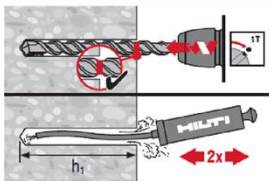
Vor jeder Wiederverwendung ist der Verschleiß des Gewindes mit einer zugehörigen Hülsenlehre HRG entsprechend den Tabellen 5 bis 7 zu überprüfen. Die Betonschraube darf wiederverwendet werden, wenn sie nicht aus der Hülse herausragt. Schrauben mit sichtbaren Beschädigungen (z.B. durch Korrosionsabtrag) dürfen grundsätzlich nicht wiederverwendet werden.



Wenn die Schraube aus der Hülse herausragt oder die Schraube andere sichtbare Beschädigungen aufweist, darf die Schraube nicht wiederverwendet werden.

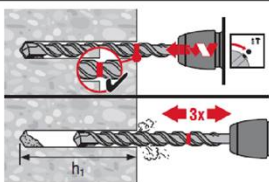


Erforderliche Bohrtiefe h_1 für Durchsteckmontage oder Vorsteckmontage auf dem Bohrer oder der Bohrkronen markieren. Details zur Bohrtiefe h_1 siehe Tabelle 5, 6 und 7.



Erstellen des Bohrlochs unter Beachtung der Bohrlochtiefenmarkierung.

Reinigung des Bohrlochs zur Montage in Wand oder Bodenposition. Bohrtiefe $h_1 \geq h_{nom} + 10 \text{ mm}$



Es ist keine Reinigung erforderlich, wenn vertikal nach oben gebohrt wird. Es ist keine Reinigung erforderlich, wenn vertikal nach unten oder horizontal gebohrt und außerdem nach dem Bohren dreimal gelüftet¹⁾ wird. Die Bohrtiefe muss um zusätzlich $2 \cdot d_0$ vergrößert werden.

¹⁾ Den Bohrer dreimal aus dem Bohrloch ziehen und wieder hineinschieben nachdem die empfohlene Bohrlochtiefe h_1 erreicht wurde. Dieses Vorgehen sollte sowohl im Drehmodus wie auch im Hammermodus der Bohrmaschine durchgeführt werden. Genauere Informationen sind in der relevanten Montageanweisung des Herstellers (MPII) enthalten.

Hilti Betonschraube HUS4 für temporäre Befestigungen im Beton

Verwendungszweck
 Setzanweisung

Anlage 9

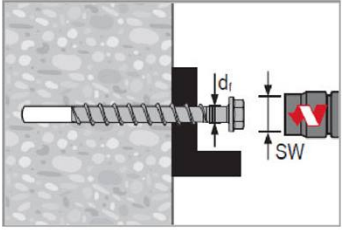
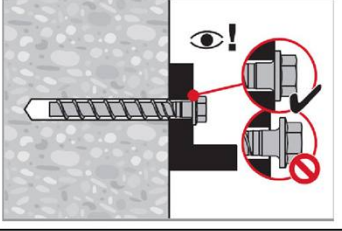
	<p>Setzen der Betonschraube entsprechend den Montagekennwerte nach Tabelle 5 bis 7. Die Schraubenlänge muss so gewählt werden, dass die Setztiefe h_{nom} (Länge der Schraube im Beton) nach Tabelle 3 und 4 eingehalten ist.</p>	
	<p>Kontrolle der Setzung:</p> <ul style="list-style-type: none">• das zu befestigende Anbauteil ist ohne Zwischenlage ganzflächig gegen den Beton verschraubt,• der Dübelkopf (HUS4-H und HUS4T-H) oder die Unterlegscheibe mit Mutter (HUS4-A) liegt auf der Fußplatte auf,• ein leichtes Weiterdrehen des Dübels ist nicht möglich,• die erforderliche Setztiefe h_{nom} ist eingehalten.	
<p>Hilti Betonschraube HUS4 für temporäre Befestigungen im Beton</p>		<p>Anlage 10</p>
<p>Verwendungszweck Setzanweisung - Fortsetzung</p>		

Tabelle 8: Bemessungswiderstände für alle Lastrichtungen im gerissenen und ungerissenen Beton (für Kombination 1 und 2 nach Tabelle 5, 6 und 7)

Betonschraube				HUS4T-H 8	HUS4(T)-H 8			HUS4(T)-H 10 HUS4-A 10			HUS4-H 12			HUS4-H 14 HUS4-A 14			HUS4-H 16	
Länge des Dübels im Beton		h_{nom}	[mm]	h_{nom1}	h_{nom2}	h_{nom3}	h_{nom1}	h_{nom2}	h_{nom3}	h_{nom1}	h_{nom2}	h_{nom3}	h_{nom1}	h_{nom2}	h_{nom3}	h_{nom1}	h_{nom2}	
				50	60	70	55	75	85	60	80	100	65	85	115	85	130	
Betondruckfestigkeit f_{ok} (Zylinder)	≥ 8 MPa	$F_{Rd}^{1)}$	[kN]	2,3	3,3	4,7	3,3	5,3	6,3	2,6	5,4	7,8	4,4	7,0	12,8	5,5	12,6	
	≥ 12 MPa	$F_{Rd}^{1)}$	[kN]	2,8	4,0	5,7	4,0	6,4	7,8	3,5	7,3	10,6	5,4	8,5	15,6	7,5	17,0	
	≥ 16 MPa	$F_{Rd}^{1)}$	[kN]	3,3	4,6	6,6	4,7	7,4	9,0	4,0	8,4	12,2	6,2	9,9	18,0	8,7	19,7	
	≥ 20 MPa	$F_{Rd}^{1)}$	[kN]	3,7	5,1	7,4	5,3	8,3	10,1	4,5	9,4	13,6	6,9	11,1	20,2	9,7	22,0	

1) Teilsicherheitsbeiwert ist in den Bemessungswerten bereits enthalten.

Tabelle 9: Bemessungswiderstände bei Zug- und Querzug im gerissenen und ungerissenen Beton (für Kombination 3 nach Tabelle 5, 6 und 7)

Betonschraube				HUS4T-H 8	HUS4(T)-H 8			HUS4(T)-H 10 HUS4-A 10			HUS4-H 12			HUS4-H 14 HUS4-A 14			HUS4-H 16	
Länge des Dübels im Beton		h_{nom}	[mm]	h_{nom1}	h_{nom2}	h_{nom3}	h_{nom1}	h_{nom2}	h_{nom3}	h_{nom1}	h_{nom2}	h_{nom3}	h_{nom1}	h_{nom2}	h_{nom3}	h_{nom1}	h_{nom2}	
				50	60	70	55	75	85	60	80	100	65	85	115	85	130	
Betondruckfestigkeit f_{ok} (Zylinder)	Zentrische Zug	≥ 8 MPa	$N_{Rd}^{1)}$	[kN]	2,3	3,3	4,7	3,3	5,3	6,3	2,6	5,4	7,8	4,4	7,0	12,8	5,5	12,6
		≥ 12 MPa	$N_{Rd}^{1)}$	[kN]	2,8	4,0	5,7	4,0	6,4	7,8	3,5	7,3	10,6	5,4	8,5	15,6	7,5	17,0
		≥ 16 MPa	$N_{Rd}^{1)}$	[kN]	3,3	4,6	6,6	4,7	7,4	9,0	4,0	8,4	12,2	6,2	9,9	18,0	8,7	19,7
		≥ 20 MPa	$N_{Rd}^{1)}$	[kN]	3,7	5,1	7,4	5,3	8,3	10,1	4,5	9,4	13,6	6,9	11,1	20,2	9,7	22,0
	Querzug	≥ 8 MPa	$V_{Rd}^{1)}$	[kN]	3,7	4,6	5,9	3,9	6,5	16,0	4,5	14,5	20,7	5,0	15,7	25,5	15,8	31,2
		≥ 12 MPa	$V_{Rd}^{1)}$	[kN]	4,5	5,6	7,2	4,8	8,0	19,5	5,5	17,7	25,4	6,2	19,2	31,3	19,3	38,2
		≥ 16 MPa	$V_{Rd}^{1)}$	[kN]	5,0	6,3	8,1	5,3	8,9	21,9	6,2	19,8	28,4	6,9	21,5	35,0	21,6	42,7
		≥ 20 MPa	$V_{Rd}^{1)}$	[kN]	5,8	7,3	9,3	6,2	10,3	22,6	7,1	22,9	32,8	7,9	24,8	40,4	25,0	49,3

Bei kombinierten Zug- und Querzugbeanspruchungen muss der Nachweis nach Abschnitt 2.2.3 erfolgen.

1) Teilsicherheitsbeiwert ist in den Bemessungswerten bereits enthalten.

Hilti Betonschraube HUS4 für temporäre Befestigungen im Beton

Leistungen
 Bemessungswiderstände im gerissenen und ungerissenen Beton

Anlage 11